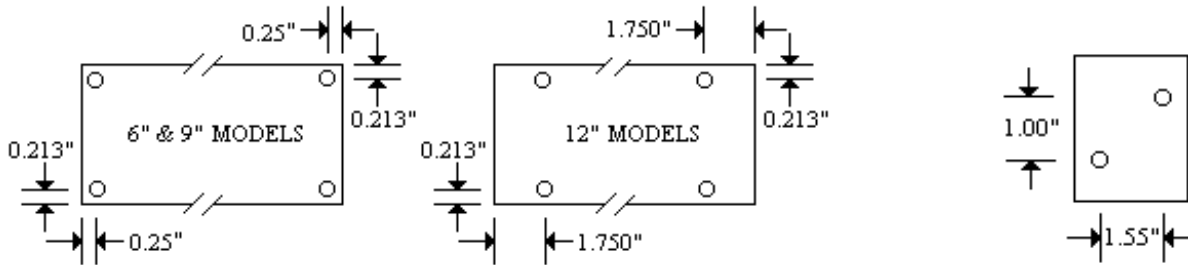




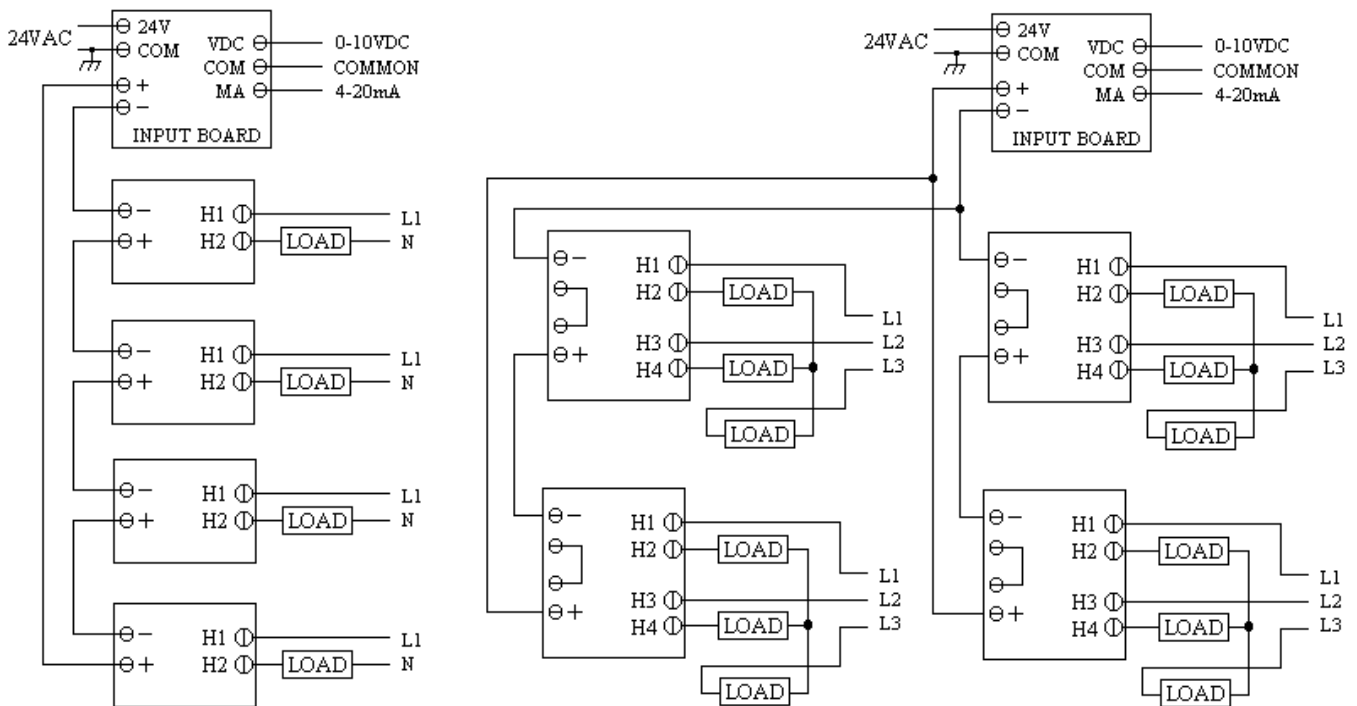
## Mounting Holes: Power Controllers and Input Board

**Note:** Use 0.250" clearance holes to mount the power controller to the side panel with #8-32 machine screws.

**Note:** Mount the board to the panel with #8 sheet metal screws and spacers.



## Wiring Diagrams: 1 Phase & 3 Phase Power Controllers with Input Board



**INDECO**  
 425 Hanley Industrial Ct.  
 St. Louis, MO 63144  
 314-644-4300  
[www.indeco.com](http://www.indeco.com)