



www.indeeco.com

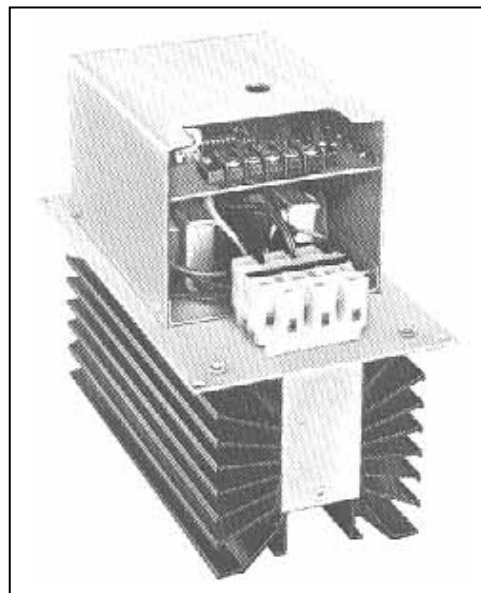
H&J Series Power Controllers

Operation

H&J Series power controllers have been out of production since the early 1990's. M&S Series power controllers can be used as replacements and are compatible with H&J units in master-slave wiring schemes. Contact the factory for additional information and cross-referencing.

H&J Series power controllers are solid-state, zero-cross fired, proportional devices. Line voltage is switched 0-100% linearly, with respect to the input range. A 4 second time-base controls power to the load. For example, a 2200 ohm signal to a 2200 ohm input will cycle the output full on for 2.0 seconds and full off for 2.0 seconds.

Features of these controllers include an LED to indicate when the output should be on. Also, the output will be shut off if the input signal is disconnected or the input is shorted.



Catalog and Part Numbers (for identification only):

H 3 - 4 8 0 - 3 0 - 2K

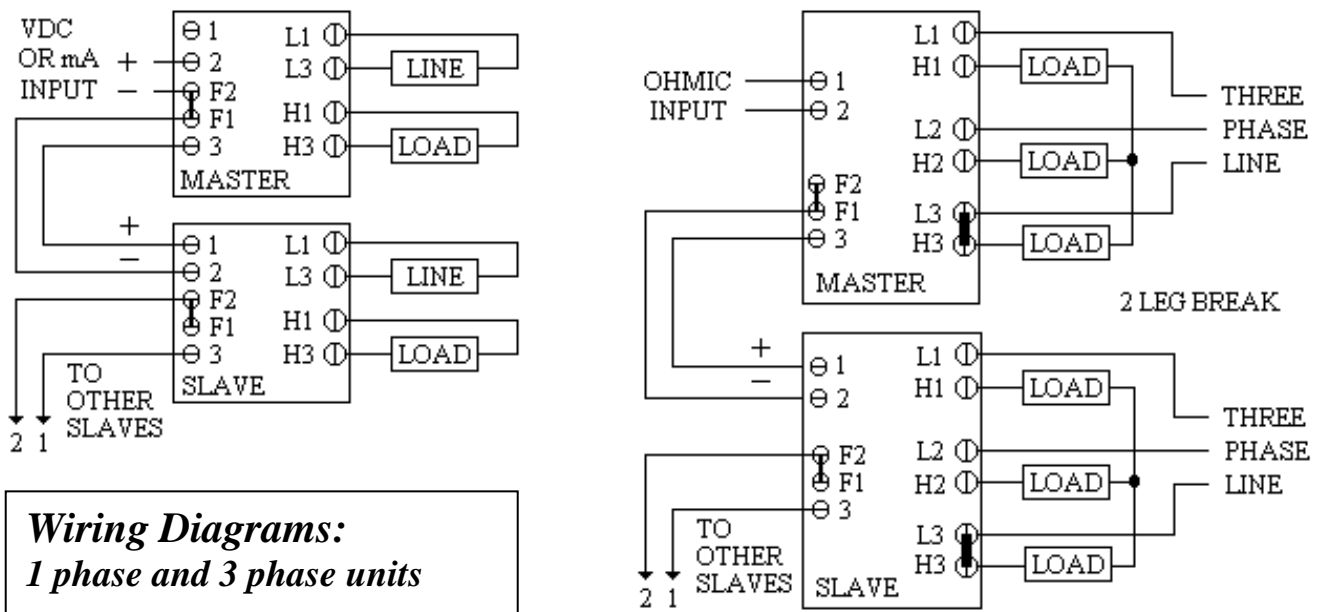
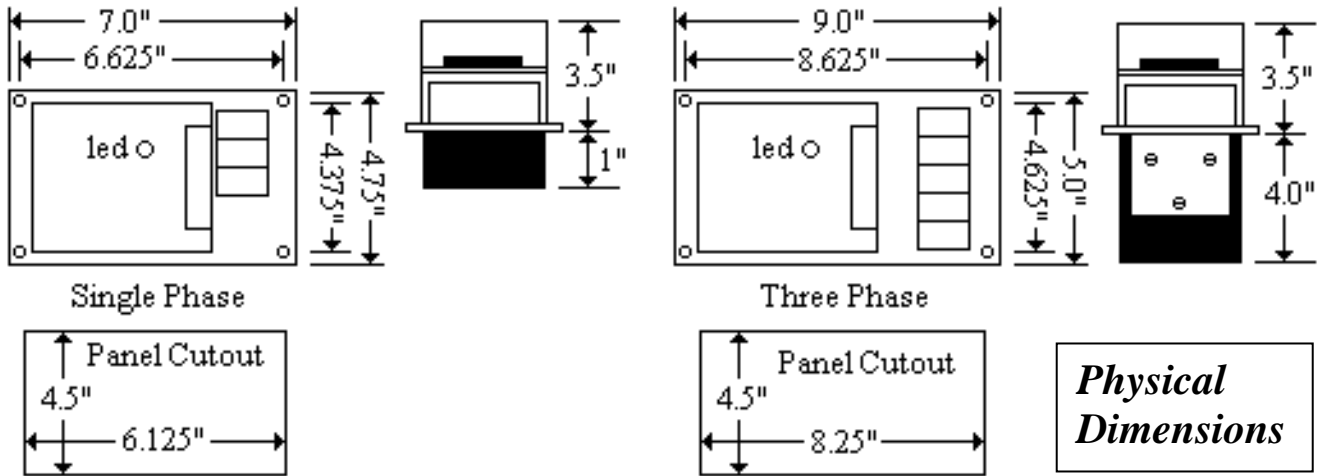
Type	AC Voltage	Max Current	Input Code
H = master	120 = 120VAC	20 = 20 amps	2K = 2200 ohm
J = slave	208 = 208VAC	28 = 28 amps	1700 = 1700 ohm
	240 = 240VAC	30 = 30 amps	135 = 135 ohm
AC Phase	277 = 277VAC		6-9 = 6-9VDC
(none) = 1 phase	380 = 380VAC		4-20 = 4-20mA
3 = 3 phase	480 = 480VAC		blank = slave
	575 = 575VAC		

Note: Contact the factory for any of the above models ending in -A, for example H3-480-30-2K-A

1 0 1 - H 3 - 4 8 0 - 3 0 - A

Type	AC Phase	AC Voltage	Max Current	Input Code
H = master	1 = single phase	(see above)	20 = 20 amps	A = 2200 ohm
J = slave	3 = three phase		28 = 28 amps	B = 1700 ohm
	2 = 2 single phase controls. Each phase is rated 1/2 the Max Current		30 = 30 amps	C = 135 ohm
			60 = 60 amps	D = 6-9VDC
				E = 4-20mA
				blank = slave

Note: H&J Series input boards are not interchangeable with M&S Series input boards.



Specifications

UL Recognized: File E52105 Guide XAPX2
 Storage Temp: -30° to 190°F
 Operating Temp: -10°F to 132°F
 Line Voltage: +/- 10% of AC Voltage rating

Load Wire Range: 8-22 AWG, copper only
 Input Impedance: 750Ω (mA), 47KΩ (VDC)
 Input Wire Range: 16-22 AWG, copper only
 Slave Input: 3.0-12VDC, 270KΩ impedance

INDEECO CONTROLS

425 Hanley Industrial Court
 St. Louis, MO 63144

phone: 314-644-4300
 fax: 314-644-5332
 www.indeeco.com

Input Board Specifications (for identification only)

Code	Code	Type	Full Off	Full On
2K	A	2200ohms	2150 ohms	2250 ohms
17	B	1700 ohms	1650 ohms	1850 ohms
135	C	135 ohms	20 ohms	120 ohms
6-9	D	6-9 VDC	6.5 VDC	8.5 VDC
4-20	E	4-20mA	5.6 mA	18.4 mA
(blank)	(blank)	slave unit	< 3.0 VDC	>3.0 VDC