



425 Hanley Industrial Court, St. Louis, MO 63144
 Phone: (314) 644-4300, Fax: (314) 644-5332
 www.indeeco.com

INSTALLATION INSTRUCTIONS For INDEECO European Style Wall Heater "EWI Series"

THE INSTALLATION MUST BE EXECUTED
 BY A QUALIFIED TECHNICIAN



RECESS WALL MOUNTING

1. Make a minimum opening of 2 in. (51 mm) deep. Recommended distance from heater to floor is 12 in. (300 mm). Use the cutting size on the back of the cardboard to make the hole in the wall.
2. Remove the heater front panel.
3. Remove the connection box cover.
4. Remove the appropriate knock-out from the box for the electrical supply.
5. Secure the heater by using the provided screws. Remove 1/4 in. (6.4 mm) side knock-outs or use the holes at the back of the heater.
6. Make connections according to local and national codes.
7. Put all covers back on the heater and test.
 - a) Adjust heater thermostat at maximum setting (1500W).
 - b) Slowly turn down thermostat setting for 750W output. (Model T and TZ).
 - c) Adjust thermostat at minimum setting and set the timer (1500W) (Model TZ).

SURFACE WALL MOUNTING

1. Locate the power supply leads behind the planned location of the heater. Recommended height from heater base to floor is 12 in. (300 mm).
2. Follow steps 2 to 7 of the RECESS WALL MOUNTING.

CONTROL

Without control:

Maintains room temperature by a line-voltage wall thermostat approved for inductive loads (not supplied). A pulsating electronic thermostat must not be used with this model. (1500W)

With thermostat:

Maintains room temperature 750W (low-speed). Thermostat automatically changes heater from 750W (low-speed) to 1500W (high-speed) when necessary.

CONTROL (continued)

With thermostat and timer combination:

Maintains room temperature 750W (low-speed). The unit automatically changes to 1500W (high-speed) when necessary. The 0-60 minute timer allows for quick heat-up to 1500W (high-speed) before a bath or shower. The heater returns to the thermostat mode automatically or manually.

ATTENTION

Basic precautions should always be followed to reduce the risk of fire, electric shock, and injury to persons.

- Read all instructions before using this heater.
- This heater is hot when in use. To avoid burns, do not let bare skin touch hot surfaces. Keep combustible materials, such as furniture, pillows, bedding, papers, clothes, and curtains at least 48 in. (1220 mm) from the front of the heater.
- Do not use outdoors.
- Do not insert or allow foreign objects to enter any ventilation or exhaust opening as this may cause an electric shock or fire, or damage the heater.
- Do not block air intakes or exhaust in any manner.
- Heater contains arcing and sparking parts. Do not use it in areas where gasoline, paint, or flammable liquids are used or stored.
- Use this heater only as described in this manual. Any other use not recommended by the manufacturer may cause fire, electric shock, or injury to persons.

ATTENTION (continued)

AMERICAN VERSION ONLY: This heater includes a visual alarm to warn that parts of the heater are getting excessively hot. If the light turns on, immediately turn the heater off and inspect for any objects on or adjacent to the heater that may cause high temperatures. DO NOT OPERATE THE HEATER WITH THE ALARM LIGHT IS ON.

MAINTENANCE

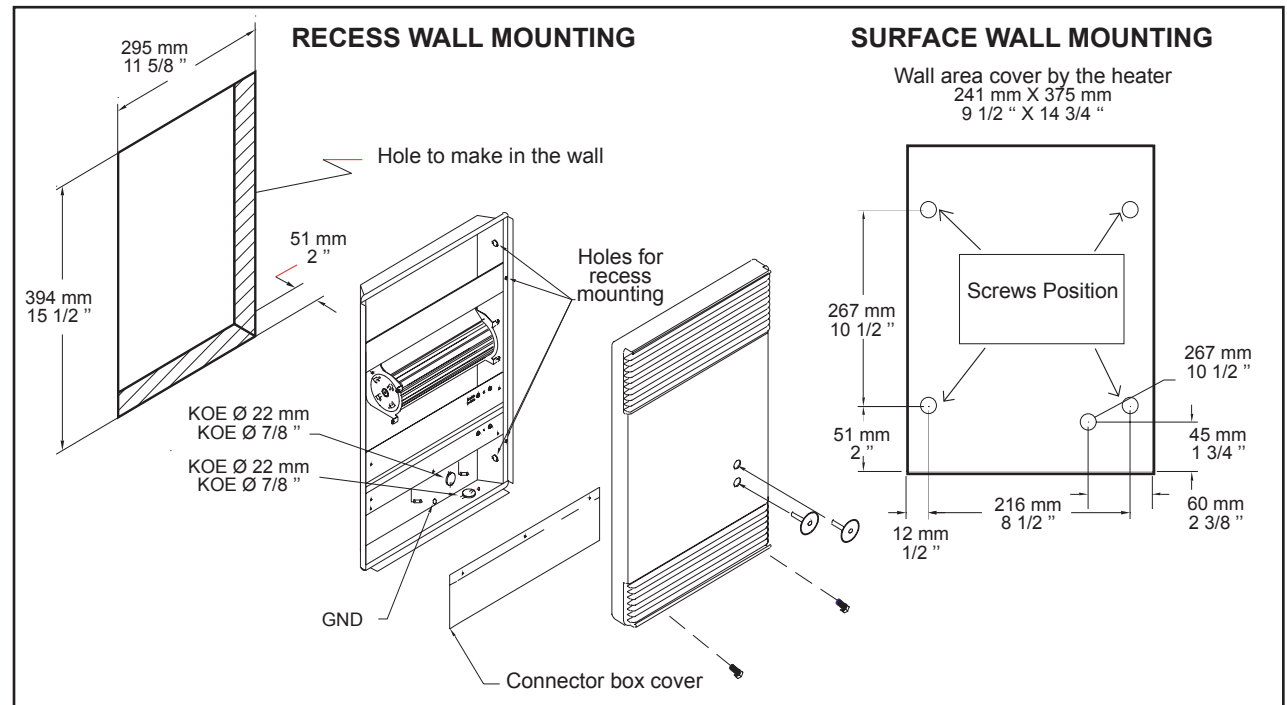
Once every quarter, remove the front panel and use a vacuum cleaner to remove the dust accumulation inside the heater. Cleaning should be done while the heater is disconnected from the supply circuit.

A qualified technician should perform any other servicing.

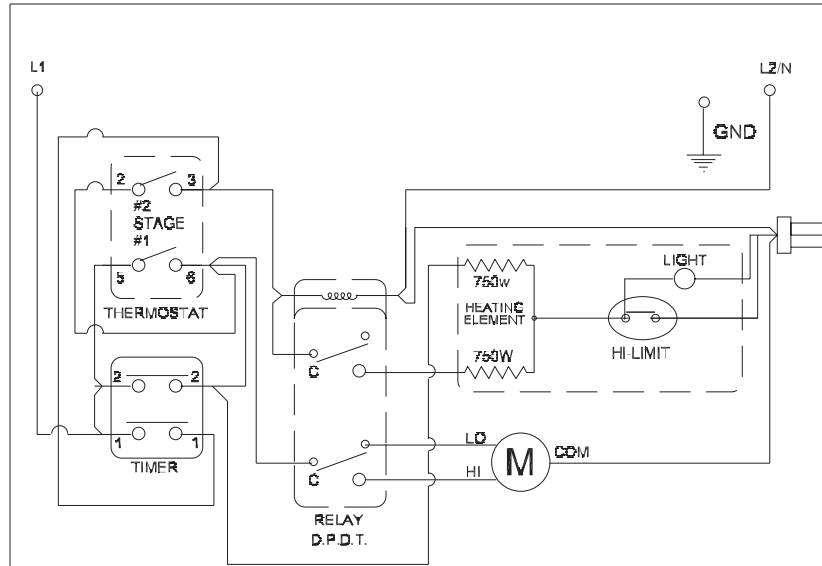
NOTICE

Heater will produce a light smoke when it is new and energized for the first time. It is normal, and will end a couple of minutes. When the heater is used in a dusty or smoky environment, the air exit grill may turn yellow. To alleviate the problem, we suggest that you clean the heater hot air exit more often especially when dust and smoke cannot be avoided. Never let the heater function in a very dusty environment.

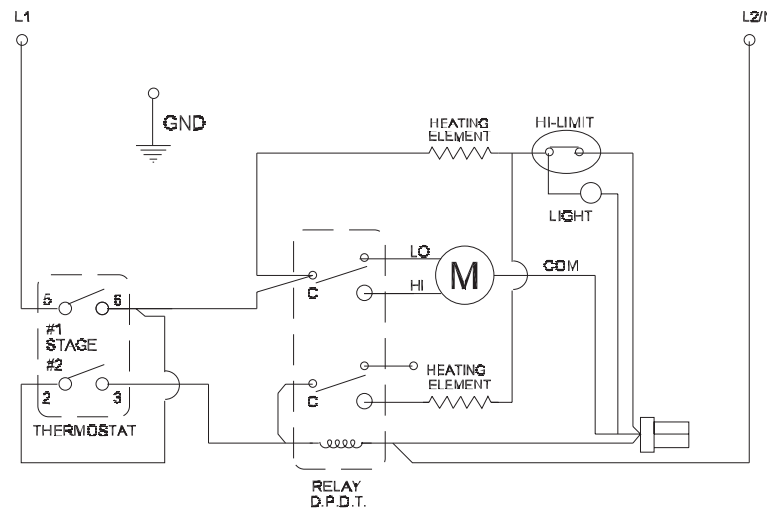
KEEP THIS INSTRUCTION PAMPHLET
 FOR THE USER INS126-200306-04



EWI



EWI-T



EWI-TZ

