



Phone: (314) 644-4300, Fax: (314) 644-5332
www.indeeco.com

INSTALLATION INSTRUCTIONS

For installation of the optional built-in thermostat
of the “WRI Series”

THE INSTALLATION MUST BE EXECUTED
BY A QUALIFIED TECHNICIAN



RISK OF ELECTROCUTION

INSTALLATION:

- 1- Remove front grill and junction box cover.
- 2- Screw the thermostat on the junction box cover.
- 3- Connect the thermostat to the unit according to the wiring diagram (Fig. 1) and the drawing (Fig. 2a or 2b).
- 4- Make the electric connections of the unit according to local and national codes in force.
Refer to the wiring diagram (Fig. 1).
- 5- Replace and screw the junction box cover.
- 6- Replace and screw front grill of heater before testing the heater.

BUILT-IN THERMOSTAT SETTING (Option):

The setting of the built-in thermostat can be done with the supplied knob or through the grill with a small slotted screwdriver if you have a tamperproof thermostat.

To set the thermostat at the desired temperature:

- Set thermostat at maximum temperature (turn clockwise).
- When the desired temperature is reached, turn the thermostat counter-clockwise slowly until you hear a “click”.
- The thermostat will keep this room temperature.

KEEP THIS INSTRUCTION PAMPHLET
FOR THE USER INS127-200510-01

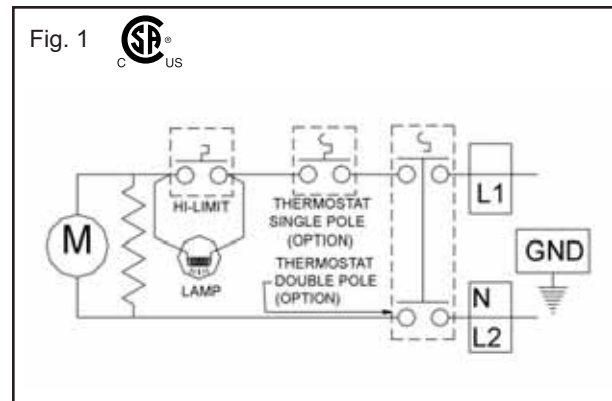


Fig. 2a : Drawing single-pole thermostat

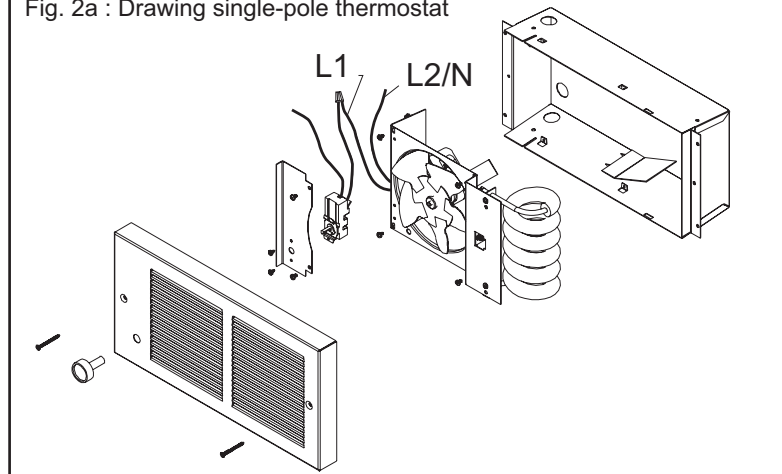


Fig. 2b : Drawing double-pole thermostat

