

CRG™ - Self-Regulating Heating Cable

CRG™ Heating Cables are designed for freeze protection of metal and plastic pipes and tanks in building and construction market applications. CRG™ Cables are also designed and approved for use in roof & gutter de-icing applications. The semiconductive polymer core changes its power output versus pipe temperature to optimize power usage and prevent overheating. The cables are designed for extended service life, are third-party tested and approved to strict industry standards for building and construction market applications. Cables are available from stock for same-day shipment.

SPECIFICATIONS

- Self-Regulating Power Output
- Continuous Maintenance Temperature
 - 150°F (65°C) Max
- Maximum Exposure Temperature
 - 185°F (85°C) Max
- Output Wattage (pipe application)
 - 3,5,8,10 W/FT @ 50°F
 - 10, 16, 26, 33 W/M @ 10°C
- Output Wattage (roof and gutter)
 - 10, 12, 16, 18 W/FT in snow/ice (32°F)
- Supply Voltage
 - 120, 208-277 VAC
- Size = 1/2" W x 1/4" H
- Minimum Bend Radius = 1 1/8"
- Minimum Install Temperature
 - 40°F (-40°C)
- Cut to Length and terminate in the field
- Can be overlapped without burnout



CONSTRUCTION

- A. 16 AWG Nickel Plated Copper Buss Wires
 - B. Radiation Cross Linked Polymer Heater Core
 - C. Flame Retardant, UV Stabilized Polyolefin Jacket
 - D. Tinned Copper Braid
 - E. Optional Modified Polyolefin Outer Jacket
 - UV Stabilized
 - Flame Retardant
 - Protects Cable against aqueous inorganic Chemicals
- Optional Fluoropolymer Outer Jacket
- Protects against organic and corrosive chemicals

APPROVALS



FM Approvals
Ordinary Locations



CSA Ordinary Locations
Type 2E, 3A, 3B, 3C

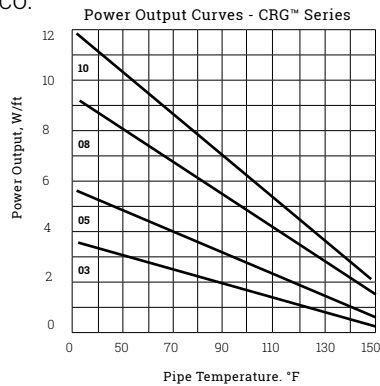


UL Pipe Heating Cable
Roof and Gutter De-icing



POWER OUTPUT CURVES

Power Output Curves shown below apply to cables used at service voltages shown below on insulated metal pipes. For Plastic pipe installation derate cable power output by 35% and use aluminum tape installation method. For other applications contact Indeeco.



Power Adjustment Factor		
Model	208 Volts	277 Volts
CRG03-2	0.75	1.28
CRG05-2	0.86	1.16
CRG08-2	0.91	1.1
CRG10-2	0.93	1.08

CONNECTION ACCESSORIES

All Cables require power connection and end seal terminations as a minimum to comply with third party requirements. Indeeco offers accessories to provide trouble free easy installation and maximum cable circuit life.

Accessories - Ordinary Area / Div 2 Hazardous Area		
Type	Ord Area	Model
Power Connection	x	PCA-40J
Pipe Stand Off Kit	x	PCA-40P
Splice/Tee Connection	x	SPTA-1
End Seal	x	ESA-ES
Lighted End Seal 120 V	x	LESA-1
Lighted End Seal 208-240V	x	LESA-2
Roof & Gutter - Power Connection	x	PCA-RG2
Roof & Gutter - Roof Clips (40/pk)	x	RC-RG
Roof & Gutter - Downspout Hangar (10/pk)	x	DS-RG
Thermostat - Ambient Sense	x	HTTS-A
Thermostat - Line Sense	x	HTTS-L
Application Tape	x	HTFT-1
Aluminum Foil Tape	x	HTAT-1
6 inch Pipe Strap	x	HTPS-6
10 Inch Pipe Strap	x	HTPS-10
Caution Label	x	HTCL-1

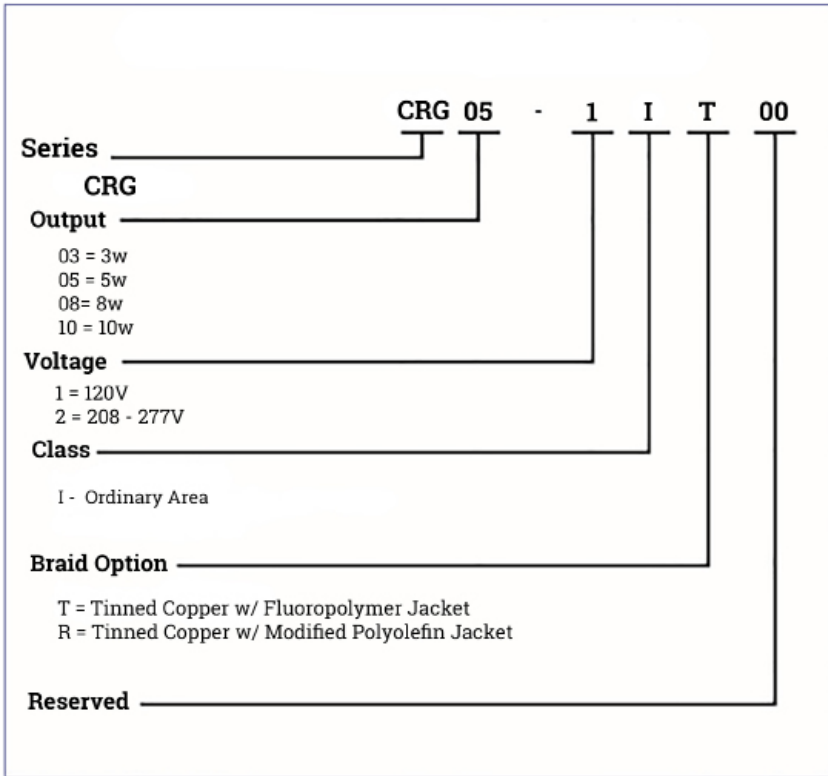
CIRCUIT BREAKER SIZING

Maximum Circuit Lengths per start up temperature and circuit breaker size are shown below. Use local electrical codes to select appropriate branch circuit breakers. Ground Fault circuit breakers are required for heat trace branch circuits – typical minimum trip level is 30mA. Thermal magnetic circuit breakers are recommended to reduce nuisance tripping.

Maximum Circuit Length vs Breaker Size & Start-Up Temp FT (M)					
Model	Start-Up Temperature Deg F Deg C	15 A	20 A	30 A	40 A
CRG03-1	50 (10)	300 (92)	330 (100)	330 (100)	330 (100)
	0 (-18)	200 (60)	270 (82)	330 (100)	330 (100)
	-20 (-29)	180 (55)	230 (70)	330 (100)	330 (100)
CRG03-2	50 (10)	660 (200)	660 (200)	660 (200)	660 (200)
	0 (-18)	410 (125)	560 (170)	660 (200)	660 (200)
	-20 (-29)	360 (110)	480 (146)	660 (200)	660 (200)
CRG05-1	50 (10)	230 (70)	270 (82)	270 (82)	270 (82)
	0 (-18)	150 (45)	200 (60)	270 (82)	270 (82)
	-20 (-29)	130 (40)	175 (54)	260 (80)	270 (82)
CRG05-2	50 (10)	460 (140)	540 (165)	540 (165)	540 (165)
	0 (-18)	300 (92)	400 (122)	540 (165)	540 (165)
	-20 (-29)	260 (80)	345 (105)	520 (160)	540 (165)
CRG08-1	50 (10)	150 (45)	200 (60)	210 (64)	210 (64)
	0 (-18)	95 (30)	125 (38)	190 (58)	210 (64)
	-20 (-29)	85 (26)	100 (31)	170 (52)	210 (64)
CRG08-2	50 (10)	295 (90)	390 (119)	420 (128)	420 (128)
	0 (-18)	195 (60)	250 (76)	375 (115)	420 (128)
	-20 (-29)	170 (52)	225 (69)	340 (104)	420 (128)
CRG10-1	50 (10)	115 (35)	150 (45)	180 (55)	180 (55)
	0 (-18)	70 (22)	95 (30)	145 (44)	180 (55)
	-20 (-29)	60 (18)	85 (26)	120 (37)	165 (50)
CRG10-2	50 (10)	230 (70)	305 (93)	360 (110)	360 (110)
	0 (-18)	150 (45)	200 (60)	300 (92)	360 (110)
	-20 (-29)	130 (40)	175 (54)	260 (80)	360 (110)

Note – Circuit lengths shown above are based on trip current characteristics of Type QO and Type QOB devices. For equipment with different trip current characteristics please consult Indeeco.

PRODUCT ORDERING INFORMATION



Ordering Information				
Output W/ft	Volts	Model	Stock	LBS/1000'
3 W/FT @ 50F	120	CRG03-11R00	S	80
		CRG03-11T00	S	80
	208-277	CRG03-21R00	S	80
		CRG03-21T00	S	80
5 W/FT @ 50F	120	CRG05-11R00	S	80
		CRG05-11T00	S	80
	208-277	CRG05-21R00	S	80
		CRG05-21T00	S	80
8 W/FT @ 50F	120	CRG08-11R00	S	80
		CRG08-11T00	S	80
	208-277	CRG08-21R00	S	80
		CRG08-21T00	S	80
10 W/FT @ 50 F	120	CRG10-11R00	S	80
		CRG10-11T00	S	80
	208-277	CRG10-21R00	S	80
		CRG10-21T00	S	80

Note = CRG™ 5 w/ft cable 12 w/ft in snow and ice recommended for roof and gutter de-icing applications

Note = To order specify model, length, and connection accessories. Cables are shipped +/- 5% of label, maximum spool length 1000 feet, minimum order is 250 feet. No fee to cut to length between 250 and 1000 feet.

When you need reliable product quickly, call us for our same day shipping
Expect **More.**