

FFI SERIES

Fan-Forced Floor Heater



The FFI floor heater is compact to fit into tight spaces. It is designed to mount between the floor joists.

- **Unique Design:** The heater features a separate housing and core assembly. The core assembly is completely prewired with leads and an electrical connection plug, which can be removed for service and cleaning without disturbing the housing or field wiring.
- **Safety Screen:** A protective screen prevents foreign objects from falling onto the heating elements or interfering with the fan.

Applications

- Entryways
- Small Rooms
- Open Stairwells
- Under Large Window Areas



Standard Construction Features

Heating Elements – Steel finned tubular elements provide durability.

Housing – Heavy welded 20-gauge steel housing.

Outlet Grille – The 14-gauge steel grille has a polyester powder paint finish. Standard grille colors include bronze, white or almond.

Built-in Controls – Manual reset thermal cutout prevents overheating.

Fan Motor – Quiet, factory-lubricated fan motor operates at 43.9 dBA with 80 CFM.

Installation Requirements – Floor heaters should be installed a minimum of six inches from adjacent walls.

Rough In Dimensions – All heaters: 14-3/8" wide x 7-7/16" high x 8" deep.

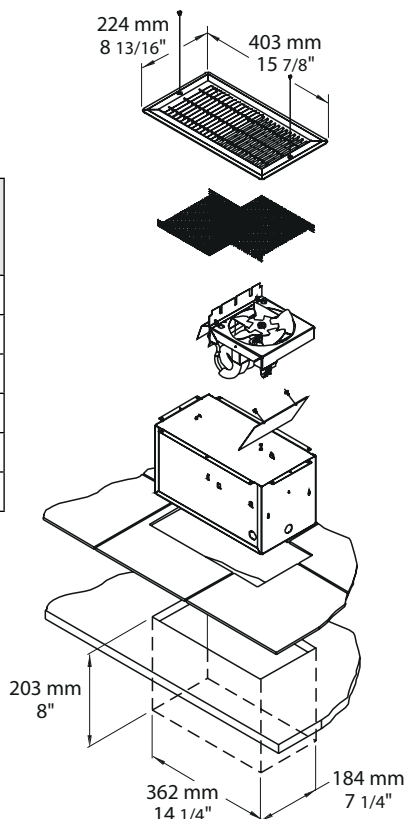
Heater Listing

Watts	Volts	Total Amps (1)	CFM	Approximate Air Temperature Rise °F (°C)	Weight lb (kg)	Catalog Number
500	120	4.6	80	20 (11)	16 (7.3)	939U00500B
1000	120	8.8	80	40 (22)	16 (7.3)	939U01000B
1500	120	13.0	80	60 (33)	16 (7.3)	939U01500B
500/375	240/208	2.6/2.3	80	20/15 (11/8.3)	16 (7.3)	939U00500V
1000/750	240/208	4.6/4.1	80	40/30 (22/17)	16 (7.3)	939U01000V
1500/1125	240/208	6.7/5.9	80	60/45 (33/25)	16 (7.3)	939U01500V

(1) Total Amps = Heating element amps and motor amps.

Add **W** to end of catalog number for white finish, **A** for almond, or **BZ** for bronze.

Special or custom colors - See inside back cover for color codes to be added to end of catalog number.



Remote Room Thermostat – See page 39.