



TRH SERIES Trench Insert Floor Convectors



Applications

- Bay window
- Commercial building
- Condos
- Restaurants
- Lobbies

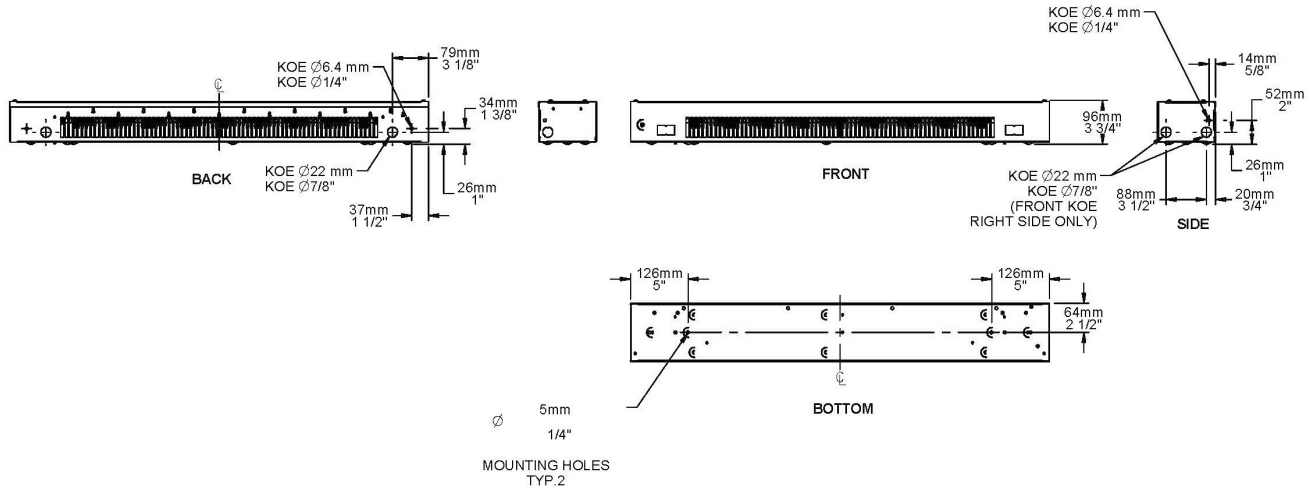
The TRH trench insert floor heater is an approved heater to be installed under a floor level grille inside a site-built trench. The construction will allow for many custom and architecturally pleasing applications.

- **Installation:** Must be installed inside a trench under a floor with a compatible top trench grille (not supplied), which must cover the entire length of the heater. Please refer to the table of Models of compatible top trench grilles.

Standard



Special Colors



Standard Construction Features

Heating Elements - Stainless steel tubular heating element with aluminum fins. Floating heating element on high-temperature nylon bushings reducing expansion noises.

Construction - Sturdy construction of 20-gauge steel. Linear high-limit temperature control with automatic reset. Linear high-limit temperature control with manual reset.

Control - Mechanical or electronic relays available (installed on the right end only). Indeeco highly recommends using an electronic wall thermostat for greater comfort.

Finish - Standard color is an epoxy/polyester semi-gloss black. Optional colors (additional charge): white, almond, metallic silver, bronze, metallic charcoal, and aluminum.

TRH SERIES

Trench Insert Floor Convactor

Factory Built-in Options

Code	Description
D3	Disconnect Switch, 277V, Double-pole, 16 Amp
D1	Disconnect Switch, 600V, Three-pole, 40 Amp
R1	24V Relay, Single-pole, 240V, 22 Amp; 277V, 19 Amp
R2	24V Relay with Transformer, 240V, 22 Amp; 277V, 19 Amp
R7	24V TRIAC Proportional Relay, 240V, 22 Amp, 277V, 19 Amp, 600V, 6 Amp
R8	24V TRIAC Proportional Relay with transformer, 240V, 22 Amp, 277V, 19 Amp

Field-Installed Options

(shipped loose for field installation into heater)

Catalog Number	Description
943-340568	Relay Kit 24V without Transformer, Single-pole: 22A at 120V, 208V, 240V-19A at 277V
943-340569	Relay Kit 24V, without Transformer, Single-pole: 10A at 480V
943-340570	Relay Kit 24V, with Transformer, Single-pole: 208V/24V, 22A at 208V
943-340571	Relay Kit 24V, with Transformer, Single-pole: 240V/24V, 22A at 240V
943-340572	Relay Kit 24V, with Transformer, Single-pole: 277V/24V, 19A at 277V
943-340574	Electronic Relay Kit 24V, without Transformer, Single-pole: 10A at 277V
943-340575	Electronic Relay 24V, with Transformer, Single-pole: 10A max. at 277V
943-340576	Electronic Relay 24V, without Transformer, Single-pole: 6A at 480V
943-340577	Disconnect switch Kit, 20A at 277V max.
943-340578	Disconnect switch Kit, 40A at 480V

How to order: Heater Code with color code + Options
(example 943U00750BBK-D3)

Length In. (mm)	Density W/Ft	Watts	Heater Code						Watts 240/208V	Heater Code				Weight Lbs (kg)
			120 (1 Ph)	Amps	208 (1 Ph)	Amps	277 (1 Ph)	Amps		240/208 (1 Ph)	Amps	480 (1 Ph)	Amps	
36" (915)	250	750	943U00750B‡	6.3	943U00750C‡	3.6	943U00750N‡	2.7	750/563	943U00750V‡	3.1/2.7	-	-	8.4 (3.8)
36" (915)	167	500	943U00500B‡-915	4.2	943U00500C‡-915	2.4	943U00500N‡-915	1.8	500/375	943U00500V‡-915	2.1/1.8	-	-	8.4 (3.8)
36" (915)	200	600	943U00600B‡-915	6.3	943U00600C‡-915	2.9	943U00600N‡-915	2.2	750/563	943U00600V‡-915	2.5/2.2	-	-	8.4 (3.8)
48" (1220)	250	1000	-	-	943U01000C‡	4.8	943U01000N‡	3.6	1000/750	943U01000V‡	4.2/3.6	943U01000T	2.1	10.8 (4.9)
48" (1220)	167	668	943U00668B‡-1220	5.6	943U00668C‡-1220	3.2	943U00668N‡-1220	2.4	668/502	943U00668V‡-1220	2.8/2.4	-	-	10.8 (4.9)
48" (1220)	200	800	943U00800B‡-1220	6.7	943U00800C‡-1220	3.8	943U00800N‡-1220	2.9	800/600	943U00800V‡-1220	3.3/2.9	-	-	10.8 (4.9)
60" (1525)	250	1250	-	-	943U01250C‡	6	943U01250N‡	4.5	1250/938	943U01250V‡	5.2/4.5	943U01250T	2.6	13.2 (6)
60" (1525)	167	835	943U00835B‡-1525	7	943U00835C‡-1525	4	943U00835N‡-1525	3	835/627	943U00835V‡-1525	3.5/3	943U00835T-1525	1.7	13.2 (6)
60" (1525)	200	1000	-	-	943U01000C‡-1525	4.8	943U01000N‡-1525	3.6	1000/750	943U01000V‡-1525	4.2/3.6	943U01000T-1525	2.1	13.2 (6)

‡Standard colors - Add BK for Semi-Gloss Black to the end of the catalog number when ‡ is indicated.
Special or custom colors - See inside back cover for color codes to be added to end of catalog number.

Models of compatible top trench grilles

Trench dimension - Figure 1							
W: 10 in. (254 mm) minimum D: 6 in. to 7 15/16 in. (153 mm a 202 mm) C: 2 1/2 in. (64 mm) minimum Price per linear foot				W: 10 in. (254 mm) minimum D: 8 in. (204 mm) minimum C: 2 1/2 in. (64 mm) minimum Price per linear foot			

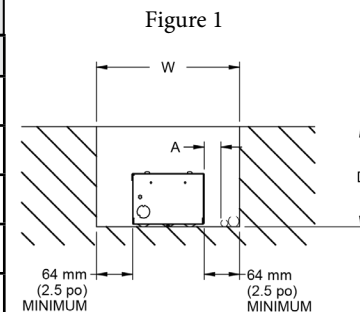


Figure 1

Manufacturer	Grille Model	167 W/ft.	200 W/ft.	250 W/ft.	167 W/ft.	200 W/ft.	250 W/ft.
Nailor Industries www.nailor.com	49-240	✓	-	-	✓	✓	-
	49-241	✓	-	-	✓	✓	-
	49-243	✓	-	-	✓	✓	-
	49-280	✓	✓	-	✓	✓	✓
	49-281	✓	✓	-	✓	✓	✓
Price Industries www.priceindustries.com	LBP/LBPH 15B	✓	✓	-	✓	✓	✓
	LBP/LBPH 16B	✓	✓	-	✓	✓	✓
	LBP/LBPH 25C	-	-	-	✓	-	-

NOTE: Vanes or deflectors options with grille are prohibited.