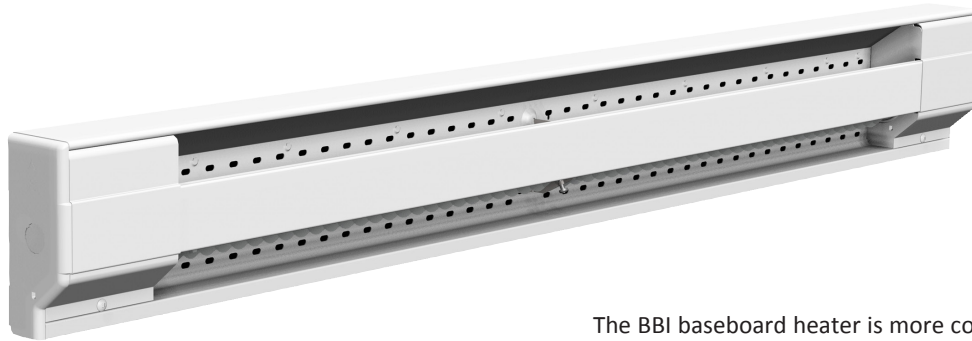


# BBI SERIES Baseboard Heater



## Applications

- Offices
- Retail Stores
- Restrooms
- Restaurants

The BBI baseboard heater is more compact than any other heater on the market, yet it provides a high level of performance and strength. The unit's trim design enhances its appearance and rounded corners eliminate the sharp edges found on square heaters.

- **Easy to Install:** Heaters may be mounted flush on any floor surface. Two rows of oblong mounting holes with center mark for ease of installation. No disassembly installation with single-screw built-in rear entry wire holder.
- **Electric Receptacles:** Units can be furnished with built-on 120 and 240-volt receptacles to provide access for other electrical appliances.
- **Control Options:** Heaters can be controlled by a building management system with the addition of a low voltage relay. Adding a proportional control device provides precise temperature control and increased energy savings.

Standard



Special Colors



## Standard Construction Features

**Heating Elements** – Stainless steel elements with aluminum fins float on high temperature nylon bushings for quiet operation.

**Housing** – Robust 22-gauge steel body with 20-gauge front panel and welded junction box, with 4H pencil hardness epoxy/polyester powder paint finish in white or almond.

**Built-in Controls** – Linear limit, automatic reset thermal cutout.

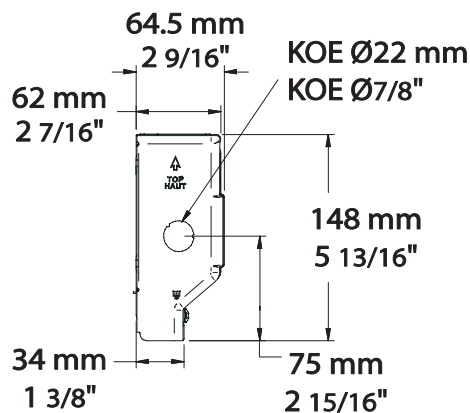
# BBI SERIES

## Baseboard Heater

### Factory Built-in Options

Code	Description
D3	Disconnect Switch, 277V, Double-pole, 16 Amp
D1	Disconnect Switch, 600V, Three-pole, 40 Amp
M1	High Altitude Automatic Cutout
R1	24V Relay, Single-pole, 240V, 22 Amp; 277V, 19 Amp
R2	24V Relay with Transformer, 240V, 22 Amp; 277V, 19 Amp
R7	Triac Proportional Relay, 277V Max, 2500 W Max.
T1	Tamperproof Thermostat, Single-pole, 277V, 25 Amp
T2	Tamperproof Thermostat, Double-pole, 277V, 25 Amp
T3	Adjustable Thermostat, Single-pole, 277V, 17 Amp
T4	Adjustable Thermostat, Double-pole, 277V, 17 Amp
T5	Adjustable Thermostat, Single-pole, 600V, 25 Amp
T6	Adjustable Thermostat, Double-pole, 600V, 25 Amp
W1	Wireless thermostat and relay module for heaters, factory installed at left end
W2	Wireless thermostat and relay module for heaters, factory installed at right end
W3	Wireless relay module for heater, factory installed at left end
W4	Wireless relay module for heaters, factory installed at right end

Remote Room Thermostat – See page 31.



Side View

### Field-Installed Options

(shipped loose for field installation into heater)

Catalog Number	Description
903-243496‡	Baseboard Section 6 in. (152 mm) - 240V Splitter Box to permanently connect an air conditioner (20A switch, double-pole, double-throw)
903-243497‡	Baseboard Section 6" (152mm) - 240V Splitter Box toward a surface mount, 6-20R Receptacle (20A switch, double-pole, double-throw)
903-243498‡	Baseboard Section 6" (152mm) - Surface mounted duplex 5-15R receptacle, 120V, 15A
903-243499‡	Baseboard Section 6" (152mm) - Surface mounted duplex 6-20R receptacle, 240V, 15A
903-243500‡	Baseboard Section 6" (152mm) - for the installation of a 24V relay (relay not included)
903-243501	Electronic Relay Kit, single-pole, coil 24V, with transformer, 15A 277 max
903-243502	Electronic Relay Kit, single-pole, coil 24V, without transformer, 15A 277 max
903-243503	Relay Kit 24V with transformer, 120V, 25 Amp (2-wire only)
903-243504	Relay Kit 24V with Transformer, 208V, 22 Amp
903-243505	Relay Kit 24V with Transformer, 240V, 22 Amp
903-243506	Relay Kit 24V with Transformer, 277V, 18 Amp
903-243507	Relay Kit 24V without Transformer, 120V - 240V, 22 Amp, 277, 18 Amps
903-243509‡	Thermostat Kit, Adjustable, Double-pole, 277V, 25 Amp with off position
903-243510‡	Thermostat Kit, Adjustable, Single-pole, 277V, 25 Amp
903-243511‡	Thermostat Kit, Tamperproof, Double-pole, 277V, 25 Amp with off position
903-243512‡	Thermostat Kit, Tamperproof, Single-pole, 277V, 25 Amp
903-243513‡	Touch Up Brush Paint (1/2 oz)
903-243515‡	Universal Corners (inside and outside)

Standard colors - Add W for white finish or A for almond finish to the end of part number.

Special or custom colors - See inside back cover for color codes to be added to end of part number.

# BBI SERIES

## Baseboard Heater

### Heater Listing

How to order: Heater Code with color code + Options (example 903U00750BW-T5)

Standard Watt Density Models 275 W/ft. (900 W/m)

Length In. (mm)	Watts	Heater Code						Watts at 240/208V	Heater Code		Weight Lbs (kg)
		120V (1 Ph)	Amps	208V (1 Ph)	Amps	277V (1 Ph)	Amps		277/240V (1 Ph)	Amps	
22.75 (577)	300	903U00300B‡	2.5	903U00300C‡	1.4	—	1.1	300/225	903U00300V‡	1.3/1.1	4.5 (2.0)
27.75 (702)	500	903U00500B‡	4.2	903U00500C‡	2.4	903U00500N‡	1.8	500/375	903U00500V‡	2.1/1.8	5.4 (2.4)
37.75 (956)	750	903U00750B‡	6.3	903U00750C‡	3.6	903U00750N‡	2.7	750/563	903U00750V‡	3.1/2.7	7.0 (3.2)
48 (1217)	1000	903U01000B‡	8.3	903U01000C‡	4.8	903U01000N‡	3.6	1000/750	903U01000V‡	4.2/3.6	8.7 (3.9)
60 (1524)	1250	903U01250B‡	10.4	903U01250C‡	6.0	903U01250N‡	4.5	1250/938	903U01250V‡	5.2/4.5	10.7 (4.9)
72 (1829)	1500	903U01500B‡	12.5	903U01500C‡	7.2	903U01500N‡	5.4	1500/1125	903U01500V‡	6.3/5.4	12.7 (5.7)
75.5 (1916)	1750	—	—	903U01750C‡	8.4	903U01750N‡	6.3	1750/1313	903U01750V‡	7.3/6.3	13.2 (6.0)
96 (2439)	2000	—	—	903U02000C‡	9.6	903U02000N‡	7.2	2000/1500	903U02000V‡	8.3/7.2	16.6 (7.5)
93 (2364)	*2250	—	—	903U02250C‡	10.8	903U02250N‡	8.1	*2250/1688	903U02250V‡	9.4/8.1	16.2 (7.3)
102.25 (2596)	*2500	—	—	903U02500C‡	12.0	903U02500N‡	9.0	*2500/1875	903U02500V‡	10.4/9.0	17.8 (8.0)

Other single-phase voltages available, consult factory.

‡Standard colors - Add W for white finish or A for almond finish to the catalog number when ‡ is indicated.

Special or custom colors - See inside back cover for color codes to be added to the catalog number where ‡ is indicated.

(\*) These items must be ordered in pairs to reduce shipping damage.

