



# TRH SERIES Trench Insert Floor Convector



## Applications

- Bay window
- Commercial building
- Condos
- Restaurants
- Lobbies

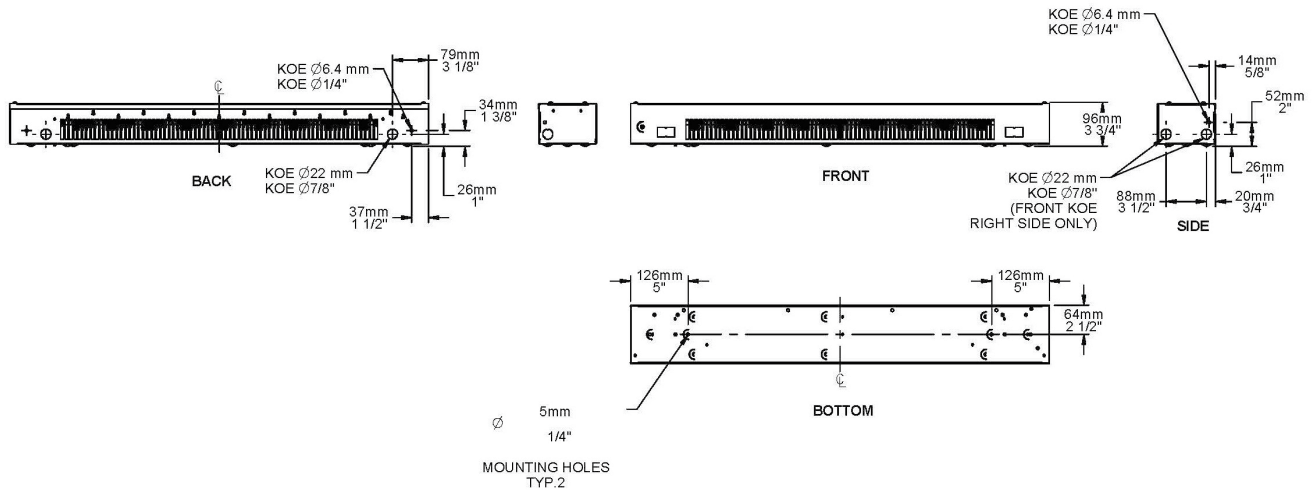
The TRH trench insert floor heater is an approved heater to be installed under a floor level grille inside a site-built trench. The construction will allow for many custom and architecturally pleasing applications.

- **Installation:** Must be installed inside a trench under a floor with a compatible top trench grille (not supplied), which must cover the entire length of the heater. Please refer to the table of Models of compatible top trench grilles.

## Standard



## Special Colors



## Standard Construction Features

**Heating Elements** - Stainless steel tubular heating element with aluminum fins. Floating heating element on high-temperature nylon bushings reducing expansion noises.

**Construction** - Sturdy construction of 20-gauge steel. Linear high-limit temperature control with automatic reset. Linear high-limit temperature control with manual reset.

**Control** - Mechanical or electronic relays available (installed on the right end only). Indeeco highly recommends using an electronic wall thermostat for greater comfort.

**Finish** - Standard color is an epoxy/polyester semi-gloss black. Optional colors (additional charge): white, almond, metallic silver, bronze, metallic charcoal, and aluminum.

# TRH SERIES

## Trench Insert Floor Convactor

### Factory Built-in Options

Code	Description
D3	Disconnect Switch, 277V, Double-pole, 16 Amp
D1	Disconnect Switch, 600V, Three-pole, 40 Amp
R1	24V Relay, Single-pole, 240V, 22 Amp; 277V, 19 Amp
R2	24V Relay with Transformer, 240V, 22 Amp; 277V, 19 Amp
R7	24V TRIAC Proportional Relay, 240V, 22 Amp, 277V, 19 Amp, 600V, 6 Amp
R8	24V TRIAC Proportional Relay with transformer, 240V, 22 Amp, 277V, 19 Amp

### Field-Installed Options

(shipped loose for field installation into heater)

Catalog Number	Description
943-340568	Relay Kit 24V without Transformer, Single-pole: 22A at 120V, 208V, 240V-19A at 277V
943-340569	Relay Kit 24V, without Transformer, Single-pole: 10A at 480V
943-340570	Relay Kit 24V, with Transformer, Single-pole: 208V/24V, 22A at 208V
943-340571	Relay Kit 24V, with Transformer, Single-pole: 240V/24V, 22A at 240V
943-340572	Relay Kit 24V, with Transformer, Single-pole: 277V/24V, 19A at 277V
943-340574	Electronic Relay Kit 24V, without Transformer, Single-pole: 10A at 277V
943-340575	Electronic Relay 24V, with Transformer, Single-pole: 10A max. at 277V
943-340576	Electronic Relay 24V, without Transformer, Single-pole: 6A at 480V
943-340577	Disconnect switch Kit, 20A at 277V max.
943-340578	Disconnect switch Kit, 40A at 480V

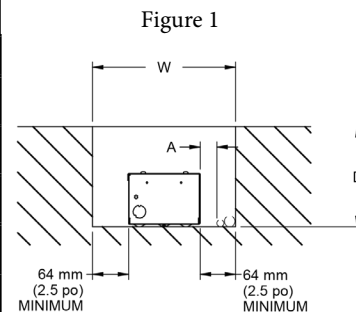
How to order: Heater Code with color code + Options  
(example 943U00750BBK-D3)

Length In. (mm)	Density W/Ft	Watts	Heater Code						Watts 240/208V	Heater Code				Weight Lbs (kg)
			120 (1 Ph)	Amps	208 (1 Ph)	Amps	277 (1 Ph)	Amps		240/208 (1 Ph)	Amps	480 (1 Ph)	Amps	
36" (915)	250	750	943U00750B‡	6.3	943U00750C‡	3.6	943U00750N‡	2.7	750/563	943U00750V‡	3.1/2.7	-	-	8.4 (3.8)
36" (915)	167	500	943U00500B‡-915	4.2	943U00500C‡-915	2.4	943U00500N‡-915	1.8	500/375	943U00500V‡-915	2.1/1.8	-	-	8.4 (3.8)
36" (915)	200	600	943U00600B‡-915	6.3	943U00600C‡-915	2.9	943U00600N‡-915	2.2	750/563	943U00600V‡-915	2.5/2.2	-	-	8.4 (3.8)
48" (1220)	250	1000	-	-	943U01000C‡	4.8	943U01000N‡	3.6	1000/750	943U01000V‡	4.2/3.6	943U01000T	2.1	10.8 (4.9)
48" (1220)	167	668	943U00668B‡-1220	5.6	943U00668C‡-1220	3.2	943U00668N‡-1220	2.4	668/502	943U00668V‡-1220	2.8/2.4	-	-	10.8 (4.9)
48" (1220)	200	800	943U00800B‡-1220	6.7	943U00800C‡-1220	3.8	943U00800N‡-1220	2.9	800/600	943U00800V‡-1220	3.3/2.9	-	-	10.8 (4.9)
60" (1525)	250	1250	-	-	943U01250C‡	6	943U01250N‡	4.5	1250/938	943U01250V‡	5.2/4.5	943U01250T	2.6	13.2 (6)
60" (1525)	167	835	943U00835B‡-1525	7	943U00835C‡-1525	4	943U00835N‡-1525	3	835/627	943U00835V‡-1525	3.5/3	943U00835T-1525	1.7	13.2 (6)
60" (1525)	200	1000	-	-	943U01000C‡-1525	4.8	943U01000N‡-1525	3.6	1000/750	943U01000V‡-1525	4.2/3.6	943U01000T-1525	2.1	13.2 (6)

‡Standard colors - Add BK for Semi-Gloss Black to the end of the catalog number when ‡ is indicated.  
Special or custom colors - See inside back cover for color codes to be added to end of catalog number.

### Models of compatible top trench grilles

Trench dimension - Figure 1							
W: 10 in. (254 mm) minimum D: 6 in. to 7 15/16 in. (153 mm a 202 mm) C: 2 1/2 in. (64 mm) minimum Price per linear foot				W: 10 in. (254 mm) minimum D: 8 in. (204 mm) minimum C: 2 1/2 in. (64 mm) minimum Price per linear foot			
Manufacturer	Grille Model	167 W/ft.	200 W/ft.	250 W/ft.	167 W/ft.	200 W/ft.	250 W/ft.



Nailor Industries www.nailor.com	49-240	✓	-	-	✓	✓	-
	49-241	✓	-	-	✓	✓	-
	49-243	✓	-	-	✓	✓	-
	49-280	✓	✓	-	✓	✓	✓
	49-281	✓	✓	-	✓	✓	✓
Price Industries www.priceindustries.com	LBP/LBPH 15B	✓	✓	-	✓	✓	✓
	LBP/LBPH 16B	✓	✓	-	✓	✓	✓
	LBP/LBPH 25C	-	-	-	✓	-	-

NOTE: Vanes or deflectors options with grille are prohibited.