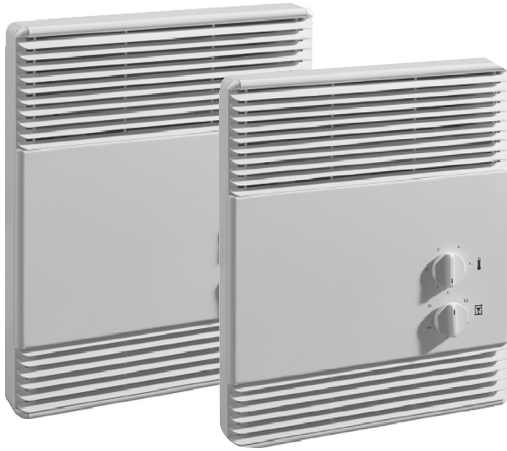


EWI SERIES

European Style Wall Heater



(Shown with optional thermostat & timer)

The EWI wall heater has a stylish, contemporary design with rounded corners and soft lines for an elegant appearance. This heater is ideal for areas with space restrictions and high heating requirements.

- **Unique Element Design:** Stitched ribbon-type heating element provides instant heat for areas that need to be warmed quickly.
- **Three Models:** The standard single-stage heater is controlled by an optional remote line-voltage thermostat. Heater type **T** has a single-stage built-in thermostat. Heater type **TZ** is furnished with an additional 0-60 minute mechanical timer that provides manual operation at maximum wattage during occupied periods, then resumes normal control.
- **Installation Flexibility:** The heater can be recessed in a 2-inch by 3-inch stud wall or surface mounted without the use of adapters.

Applications

- Entryways
- Reception Areas
- Fire Station Changing Areas
- Restrooms
- Offices

Standard



Special Colors



Standard Construction Features

Heating Elements – Stitched ribbon-type element.

Outlet Grille – The 20-gauge steel grille has a polyester powder paint finish available in white, almond, or optional stainless steel front cover.

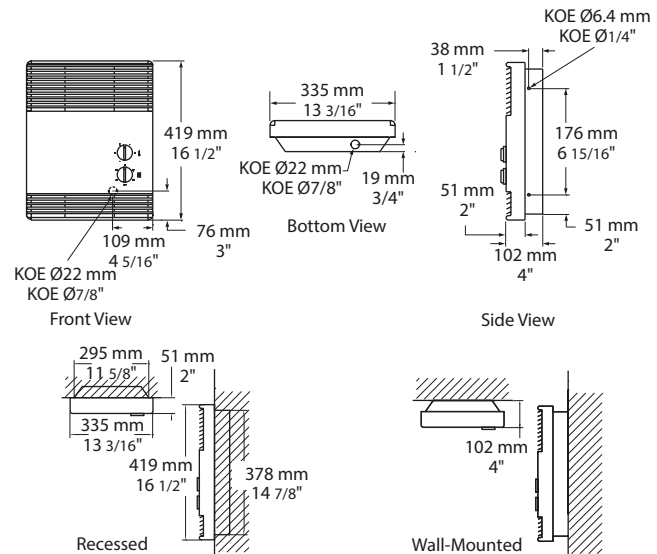
Built-in Controls – Automatic reset thermal cutout prevents overheating.

Fan Motor – Whisper-quiet squirrel-cage fan operates at 42.5 dBA with 70 CFM.

Installation Requirements – The air outlet should be installed a minimum of 12-inches above floors.

Rough In Dimensions – All heaters: 11-7/8" wide x 15-1/2" high x 2" deep.

Remote Room Thermostat – See page 39.



Heater Listing

Watts Maximum	Volts (1 Phase)	Total Amps (1)	CFM	Temperature Rise	Weight lb (kg)	Catalog Number
			Maximum			
1500	120	13.0	70	68 (38)	14 (6)	935U01500B
1500	120	13.0	70	68 (38)	14 (6)	935U01500B-T
1500	120	13.0	70	68 (38)	14 (6)	935U01500B-TZ
1500/1125	240/208	6.7/5.9	70	68/51 (38/28)	14 (6)	935U01500V
1500/1125	240/208	6.7/5.9	70	68/51 (38/28)	14 (6)	935U01500V-T
1500/1125	240/208	6.7/5.9	70	68/51 (38/28)	14 (6)	935U01500V-TZ

(1) Total Amps = Heating element amps and motor amps.

Add **W** to end of catalog number for white finish, **A** for almond or **SS** for custom stainless steel front cover.

Special or custom colors - See inside back cover for color codes to be added to end of catalog number.