

## 912I & 913I Series

### ARCHITECT'S AND ENGINEER'S SPECIFICATIONS\*

Furnish and install, where indicated on plans, 912I & 913I Architectural Cabinet Convector type heaters, suitable for continuous operation, as manufactured by Indeeco®.

The 912I series is listed for wall mounted applications, while the 913I series is listed for pedestal mounting and comes standard with pedestal kits for mounting and in-field adjustment.

Heaters shall be low profile (5" x 7") and available in lengths from 28 inches through 10 feet.

Enclosures shall be 16-gauge (optional 14-gauge front), furniture quality steel with reinforced, all welded construction; designed to withstand heavy-duty commercial and institutional use.

Enclosures shall be chemically-treated to resist corrosion. Finish shall be mar and temperature-resistant to retain contemporary appearance throughout years of rough use.

For safety, the electric heating bank shall consist of metal sheath heating elements. The elements shall have a copper clad steel sheath for strength and corrosion resistance, and aluminum fins for faster heat transfer.

One, two, or three, low density elements shall be installed side-by-side on the same plane to uniformly warm all incoming air. Elements shall be center-anchored and shall float freely on each end through nylon bushings for quietness.

Discharge louvers shall be an extruded aluminum bar grille and direct heat away from wall and to minimize wall surface temperatures and control dirt streaking. Discharge louvers painted to match the heater finish to ensure a clean, decorative finish.

An optional 1/4-inch mesh screen shall be installed beneath the discharge grille to deter the insertion of foreign objects.

Optional built-in controls shall include single-pole, double-pole, or two-stage thermostats, power on/off switch, transformer relay

and power relay. The thermostat shall be capable of controlling multiple units on a pilot duty circuit. (Observe the control limitations indicated.) Thermostat adjustment shall be with a thin-bladed screwdriver through the discharge louvers and shall be considered tamper-resistant.

An automatic reset thermal overheat protector shall run the full-length of the heater and shall turn off heating elements should overheating occur at any point along heating length. Overheat protector shall restore operation automatically when cause of overheating is removed. Heaters shall be designed with a built-in prewired race-way to enable multiple unit wiring from one feeder source.

Pedestal legs come standard on the 913I series units. They shall be architecturally styled and shall be individually adjustable to insure an even, level heater installation.

Back panel shall be one piece heavy gauge painted steel, completely finished, and shall be suitable for mullion-to-mullion mounting in front of a glass curtain wall.

28-inch control sections, finished to match the heating units, shall be available with factory built-in mercury contactors, circuit breakers, control transformer, P.E. switch, or SCR controls. This control section shall also be furnished blank, as an optional accessory, for field installation of controls.

All heaters and electrical accessories shall be labeled by Underwriters' Laboratories, Inc.

Accessories shall include end caps, blank sections, inside and outside corners, splice plates, and telescoping filler sections. All accessories shall be completely enclosed to enable the installer to pull standard wiring from heater to heater through the accessories.

*\*Indeeco reserves the right to change specifications without prior notice.*

### APPLICATION LIMITATIONS AND PRECAUTIONS

**Hazardous Atmosphere:** Because the possibility of a concealed spark can exist from the built-in over-head cutout, heaters should not be used in potentially explosive atmospheres.

**Corrosive Atmosphere:** The high quality finish and steel internal sheet metal parts will give excellent service under most operating conditions, including coastal salt air and industrial atmospheres. However, the finish is not intended for direct salt spray exposure in marine application or highly corrosive greenhouse, swimming pool, chemical storage or industrial atmospheres.

**Cleanliness:** Although specifically designed for mounting below window areas, heaters can be installed on plaster, wood paneled, metal, masonry or composition wall surfaces with reasonable expectation of clean wall operation. Should some soiling occur, after a period of years, smooth walls may be cleaned with standard maintenance materials. For deep textured walls, consideration should be given choice of enclosure height and watt per foot capacity—generally, the enclosure with lowest surface temperature will have the least soiling tendency.

**Comfort:** Optimum room comfort results when heater is mounted just below the window sill, since window cold down draft is eliminated and maximum convection air distribution without stratification is maintained throughout the room. Because of the tendency for warm air to stratify, installing heaters close to the ceiling is not recommended. If it should be necessary, at least 18" clearance above the air discharge must be maintained. Bottom of heaters are not intended for attractive appearance when mounted above eye level.

**Air Throw:** Since heaters provide only natural convection air throw, they are not recommended for combating cold outside air blasts through high traffic, main entry ways and vestibules. Heaters will maintain satisfactory comfort conditions in low traffic, side entry ways and vestibules, but for most entry ways, faster response fan driven heaters would be preferred.

Curtains, drapes or blinds should clear the top of the heater by at least six inches. See I for vinyl blinds. Never permit draperies to completely cover the unit.

Furniture should be placed so it does not touch the heater and so it does not completely block the air vents. Allow at least 4" free space between furniture and the heaters.

**Recess mounting:** UL labeled for free standing wall surface mounting only. Not recommended for mounting behind built-in book shelves, storage cabinets, window seats, etc.

In institutional applications such as hospitals, nursing homes, child day-care centers and clinics, it is recommended that low-watt density convectors be used to provide optimum comfort at lowest case temperatures.

Due to variations in vinyl compositions and their potential to discolor, the use of stand-off brackets (SO1 or SO2) and/or specifying the lower watt density unit may be required when installing on vinyl wall-coverings or under vinyl window dressings.

Prior to setting specifications, consult factory for installation recommendations.

**Lengths**

	Length	28"	3'	4'	5'	6'	8'	10'
Shipping Weight	5"	17 lbs	21 lbs	28 lbs	35 lbs	42 lbs	56 lbs	70 lbs

NOTE: All models are NON-STOCK, MADE-TO-ORDER. When ordering, specify quantity, catalog number, voltage, wattage, optional controls, and color. Consult sales representative for lead times, wattage, optional controls, and color. Consult sales representative for lead times.

**Watts per Ft.\***

1 Element*	125	188	250
2 Elements*	375	500	
3 Elements*	564	625	750

**Voltages\***

Single Phase*	208	240	277
	347	600	
Three Phase*	208	240	600

\*Specifications may vary by length. Consult sales representative for additional details.

**Optional Accessories - 912I**

	CATALOG NO.*	COMPATIBLE WITH	HEIGHT	DEPTH	LENGTH	ADDITIONAL LENGTH	SHIP WT.
BLANK SECTIONS	BIH-D7SBS2I	912I	7"	5"	28"	-	14 lbs
	BIH-D7SBS3I				3'	-	18 lbs
	BIH-D7SBS4I				4'	-	24 lbs
	BIH-D7SBS5I				5'	-	30 lbs
	BIH-D7SBS6I				6'	-	36 lbs
	BIH-D7SBS8I				8'	-	48 lbs
	BIH-D7SBS10I				10'	-	60 lbs
END CAPS LEFT	BIC-D7ECL1**	912I	7"	4 1/4"	-	1/8"	1 lbs
	BIC-D7ECR1**	912I	7"	4 1/4"	-	1/8"	1 lbs
FILLER SECTIONS	BIH-D7SFL3	912I	7"	6 1/8"	4	0-3	2 lbs
	BIH-D7SFL6**	912I	6 1/8"	4 1/2"	7	3-6	3 lbs
	BIH-D7SFL9**	912I	6 1/8"	4 1/2"	10	6-9	4 lbs
	BIH-D7SFL12**	912I	6 1/8"	4 1/2"	13	9-12	5 lbs
	BIH-D7SFL18**	912I	6 1/8"	4 1/2"	19	15-18	6 lbs
CORNERS INSIDE	BIH-D7SIC	912I	6 1/8"	4 1/2"	6"	5-5 1/2"	4 lbs
	BIH-D7SOC	912I	6 1/8"	4 1/2"	1"	0-1/2"	2 lbs
	BIH-D7SHCC	912I	-	-	-	-	5 lbs

All steel convectors come standard with end caps. All pedestal style steel convectors come standard with pedestals. Outlet Mesh: Price per foot. 14-Gauge Front Cover: add 10% to heater price. Standard color included in base price. Other colors available. See paint policy page for information on custom paint colors. When ordering, specify heater catalog number, voltage, phase, suffix catalog number for built-in controls, color, and options. If color not specified, standard color is Beige.

\*Add suffix color code (i.e. -W for white, -B for black, etc.) \*\*Built-in duplex receptacle available.

**Optional Accessories - 913I**

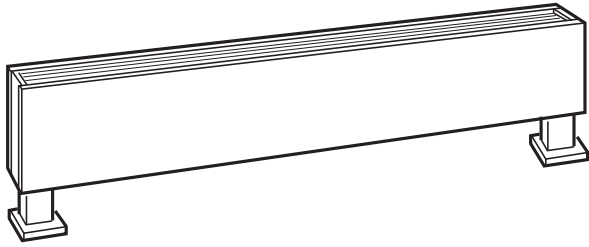
	CATALOG NO.*	DESCRIPTION	COMPATIBLE WITH	SHIP WT.
BLANK SECTIONS	BIH-D7PBS2	28-Inch Blank Section	913I Heaters	14 lbs
	BIH-D7PBS3	3-Foot Blank Section		18 lbs
	BIH-D7PBS4	4-Foot Blank Section		24 lbs
	BIH-D7PBS6	6-Foot Blank Section	913I Heaters	36 lbs
	BIH-D7PBS8	8-Foot Blank Section		48 lbs
	BIH-D7PBS10	10-Foot Blank Section		60 lbs
PEDESTAL LEG KITS	BIP-D7P2	Pedestal Leg Kit for 2, 3 & 4 ft. units (quantity 2)	Legs must be ordered with 913I Heaters/Blanks	4 lbs
	BIP-D7P3	Pedestal Leg Kit for 5, 6 & 8 ft. units (quantity 3)		5 lbs
	BIP-D7P4	Pedestal Leg Kit for 10 ft. unit (quantity 4)		7 lbs
END CAPS RIGHT	BIC-D7ECR1	Right Hand End Cap	913I Heaters/Blanks	1 lbs
	BIC-D7ECL1	Left Hand End Cap	913I Heaters/Blanks	1 lbs

All steel convectors come standard with end caps. All pedestal style steel convectors come standard with pedestals. Outlet Mesh: Price per foot. 14-Gauge Front Cover: add 10% to heater price. Standard color included in base price. Other colors available. See paint policy page for information on custom paint colors. If color not specified, standard color is Beige. When ordering, specify heater catalog number, voltage, phase, suffix catalog number for built-in controls, color, and options. Specify color for pedestal legs.

\*Add suffix color code (i.e. -W for white, -B for black, etc.)

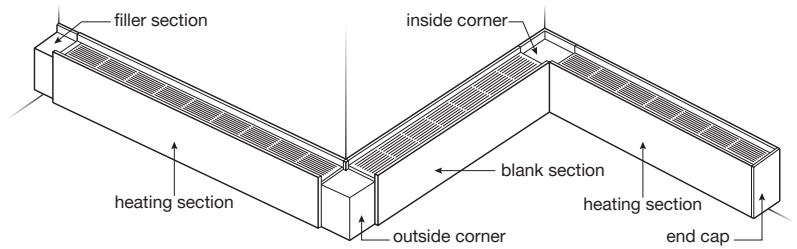
**Dimensions and Clearances:**

Cat. No.	Dimensions	
	H	D
9121 & 9131	7"	5"

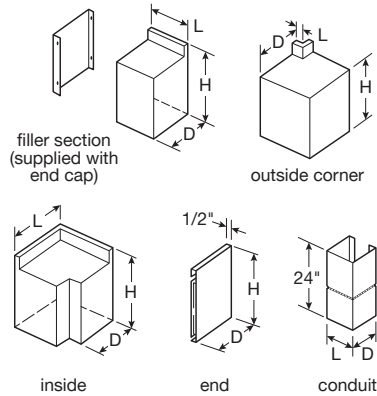
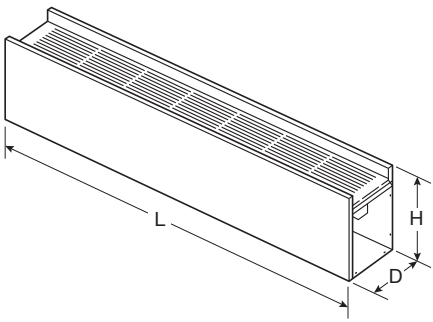


**Typical Installation**

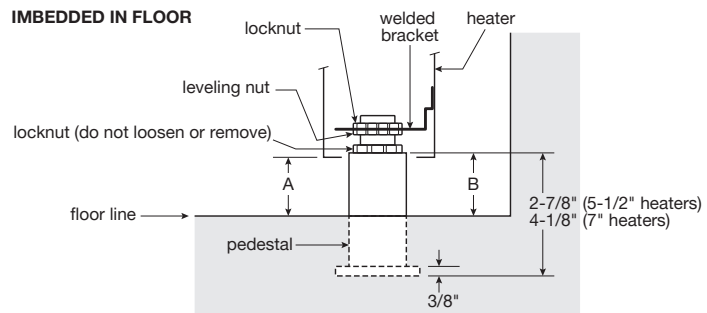
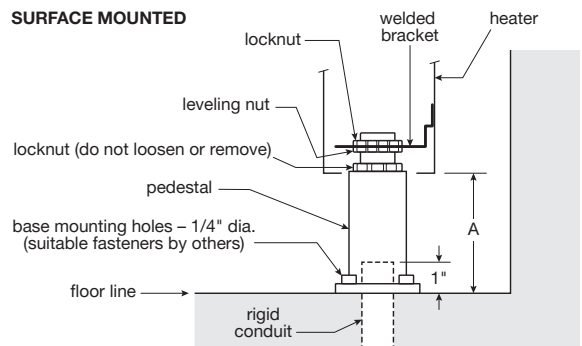
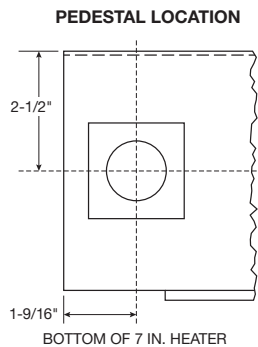
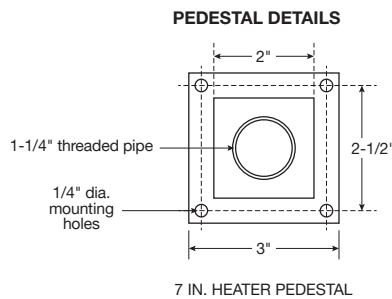
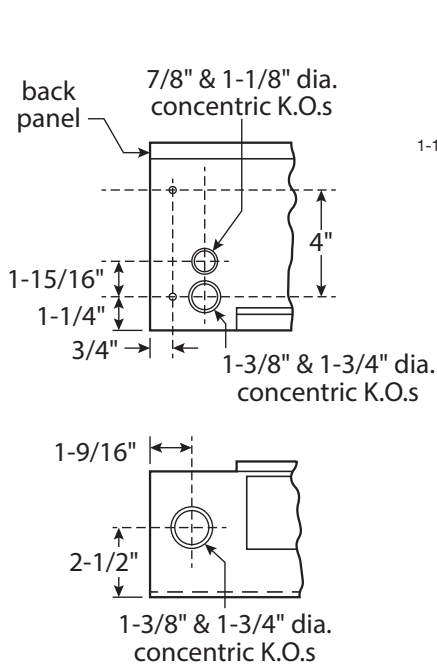
Minimum Mounting Height Above Floor	
Up to 250W/Ft.	1 3/4"
Over 250W/Ft.	3"



**Optional Accessories:**

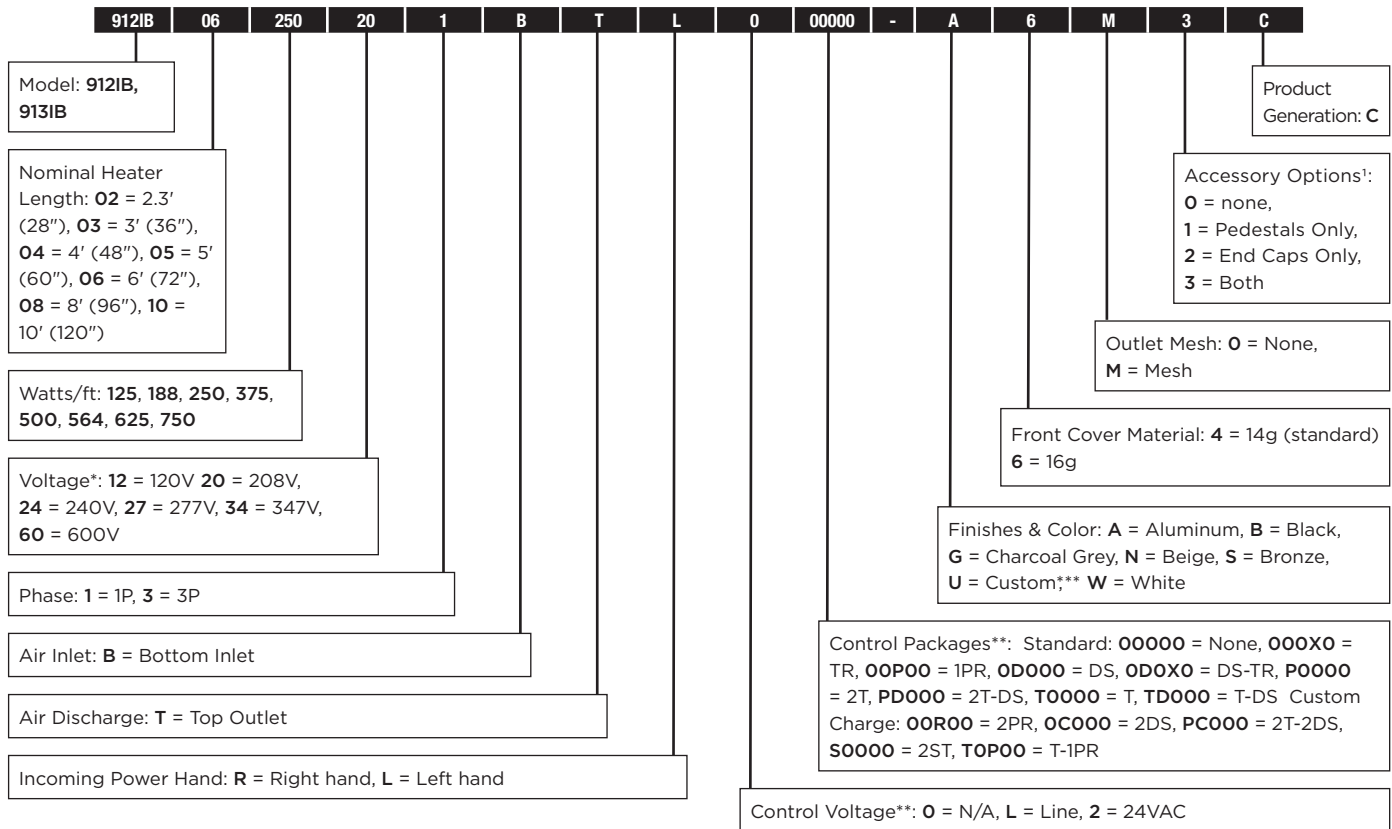


**Knockouts and Mounting Holes and Pedestals:**



## How to Order

Example:



(1) Pedestals only available on 913I Series.

\*Standard voltage and phase combinations include 121, 201, 203, 241, 271. Other options available under extended offering. Please contact Indeeco Technical Service for more details.

\*\*Other options available under extended offering. Please contact Indeeco Technical Service for more details.

\*\*\*Custom finishes will require an actual paint/finish sample and finish confirmation prior to order acceptance. Contact Indeeco Sales Representative for additional configuration details

No matter the industry or application, Indeeco has a robust portfolio of innovative, reliable, high-performance comfort heating and ventilation solutions for all your heating needs.