

# 918 Series Radiant Cove Heaters

## Installation, Operation & Maintenance Instructions

### Specifications

Model No.	Watts	Voltage	Amps	Length (inches)
918IR-4508-W	450W	208V	2.2	34
918IR-4512-W		120V	3.7	
918IR-4524-W		240V	1.9	
918IR-6008-W	600W	208V	2.9	47
918IR-6012-W		120V	5.0	
918IR-6024-W		240V	2.5	
918IR-6027-W		277V	2.2	
918IR-7508-W	750W	208V	3.6	59
918IR-7512-W		120V	6.2	
918IR-7524-W		240V	3.1	
918IR-7527-W		277V	2.7	
918IR-9008-W	900W	208V	4.3	71
918IR-9012-W		120V	7.5	
918IR-9024-W		240V	3.7	
918IR-9027-W		277V	3.2	

Model No.	Watts	Voltage	Amps	Length (inches)
918IR-10508-W	1050W	208V	5.0	83
918IR-10512-W		120V	8.8	
918IR-10524-W		240V	4.4	
918IR-10527-W		277V	3.8	
918IR-12008-W	1200W	208V	5.8	94
918IR-12012-W		120V	10.0	
918IR-12024-W		240V	5	
918IR-12027-W		277V	4.3	
918IR-15008-W	1500W	208V	7.2	118
918IR-15024-W		240V	6.2	
918IR-15027-W		277V	5.4	
918IR-18008-W	1800W	208V	8.7	132
918IR-18024-W		240V	7.5	
918IR-18027-W		277V	6.5	

## IMPORTANT INSTRUCTIONS

⚠ **WARNING** ⚠

WHEN USING ELECTRIC APPLIANCES, BASIC PRECAUTIONS SHOULD ALWAYS BE FOLLOWED TO REDUCE THE RISK OF FIRE, ELECTRIC SHOCK, AND INJURY TO PERSONS, INCLUDING THE FOLLOWING:

1. Read all instructions before installing or using this heater.
2. This heater is hot when in use. To avoid burns, do not let bare skin touch hot surfaces. Keep combustible materials, such as furniture, pillows, bedding, papers, clothes, etc. and curtains at least 3 feet (0.9 m) from the front of the heater.
3. Extreme caution is necessary when any heater is used by or near children or invalids and whenever the heater is left operating and unattended.
4. Do not operate any heater after it malfunctions. Disconnect power at service panel and have heater inspected by a reputable electrician before using.
5. Do not use outdoors.
6. To disconnect heater, turn controls to off, and turn off power to heater circuit at main disconnect panel.
7. Do not insert or allow foreign objects to enter any ventilation or exhaust opening as this may cause an electric shock, fire, or damage to the heater.
8. To prevent a possible fire, do not block air intake or exhaust in any manner.
9. A heater has hot and arcing or sparking parts inside. Do not use it in areas where gasoline, paint, or flammable liquids are used or stored.
10. Use this heater only as described in this manual. Any other use not recommended by the manufacturer may cause fire, electric shock, or injury to persons.
11. This heater is intended for comfort heating applications and not intended for use in special environments. Do not use in damp or wet locations such as marine or greenhouse or in areas where corrosive or chemical agents are present.
12. When installing, see INSTALLATION INSTRUCTIONS for additional warnings and precautions.
13. For safe and efficient operation, and to extend the life of your heater, keep your heater clean - See MAINTENANCE INSTRUCTIONS.

SAVE THESE INSTRUCTIONS

# INSTALLATION INSTRUCTIONS

## ⚠ WARNING ⚠

To prevent a possible fire, injury to persons or damage to the heater, adhere to the following:

1. Disconnect all power coming to heater at main service panel before wiring or servicing.
2. All wiring procedures and connections must be in accordance with the National and Local Codes having jurisdiction and the heater must be grounded.
3. Verify the power supply voltage coming to heater matches the ratings as shown on the heater nameplate.

**CAUTION: ENERGIZING HEATER AT A VOLTAGE GREATER THAN THE VOLTAGE PRINTED ON THE NAMEPLATE WILL DAMAGE THE HEATER AND VOID THE WARRANTY AND COULD CAUSE A FIRE.**

4. **CAUTION** - High temperature, risk of fire, keep electrical cords, drapery, furnishings, and other combustibles at least 3 feet (0.9 m) from front of heater. Do not install heater behind doors, below towel racks, or in an area where it is subject to being blocked by furniture, curtains or storage materials. Hot air from the heater may damage certain fabrics and plastics.
5. To reduce the risk of fire, do not store or use gasoline or other flammable vapors and liquids in the vicinity of the heater.
6. This heater is to be mounted only using the mounting brackets included with the unit as described within this manual.
7. The following minimum clearances must be maintained (see Figure 1 and Figure 4):

Bottom of heater to floor - 6' (1828 mm).

Side of heater to adjacent wall - 4" (102 mm)

Top of heater to drywall ceiling - 4" (102 mm).

Top of heater to vinyl molding or lay-in ceiling - 6" (152 mm)

Table 1

WATTS	MAXIMUM ALLOWABLE EXPANSION	MOUNTING SLOT DISTANCE (CTR-CTR)
450	1/8" (4mm)	27.75" (705mm)
600	1/4" (7mm)	40.75" (1,035mm)
750	1/2" (13mm)	52.75" (1,340mm)
900	3/4" (19mm)	64.75" (1,645mm)
1050	7/8" (23mm)	76.75" (1,949mm)
1200	1-1/8" (29mm)	87.75" (2,229mm)
1500	1-3/8" (35mm)	111.75" (2,838mm)
1800	1-1/2" (38mm)	125.75" (3,194mm)

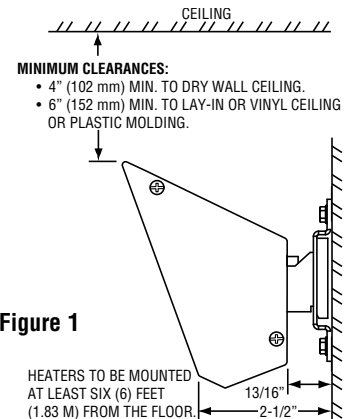
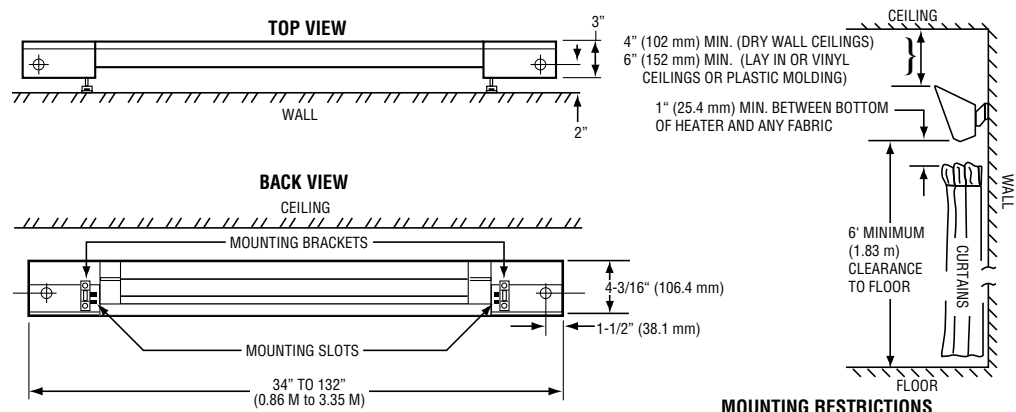


Figure 1



## GENERAL

Cove heaters are designed to provide years of efficient trouble free operation as a supplemental heat source for comfort heating in residential and commercial applications. Cove heaters must be controlled with a thermostat for efficient, safe operation. A thermostat is not included with this heater. Cove heaters can be connected to any single or double pole line voltage thermostats that will meet the electrical load requirements. See **Accessories**, page 5.

**When installing 2 or more heaters along one wall:**

## CAUTION ⚠

THE HEATER MUST BE MOUNTED AT LEAST 6' (182.8 CM) OR (1.83 M ) ABOVE THE FLOOR TO PREVENT ACCIDENTAL CONTACT.

1. Mount heaters allowing adequate spacing between heaters as shown in Table 1.
2. Install optional 918IR-SP-W Splice Plate (if desired) per instructions provided with 918IR-SP-W.

When mounting heaters end to end add the "maximum allowable expansion" of each heater and provide that clearance from end to end of units. See Table 1.

## MOUNTING THE HEATER

**For 450 to 1200 Watt Heaters:**

1. Select correct mounting distance from the ceiling material per Figure 1. Using Table 1, determine the center to center distance of the end wall brackets for the particular model (wattage) to be mounted. Divide this value by 2 to determine the approximate location to mount the center wall bracket. Mark these locations on the chosen wall. Locate a stud nearest the center wall bracket mark. Use this stud for the bracket location. (Disregard original mark mentioned above) Assemble end wall brackets as shown in Figure 3.
2. Using the template (provided), align the top of the template with the ceiling and the center of the pre-punched holes with the bracket marks on the wall. Choosing the proper ( end or middle) bracket location holes, mark the bracket pilot hole locations using the selected pre-punched holes provided on the template. With the fasteners provided, mount the assembled end wall brackets and center wall bracket to the wall. Using a tape measure, determine the distance between the center (slot) of the left end wall bracket and the hook of the center wall bracket. Add 3-5/8 inches (92 mm) to this value and record it for center support bracket location on the cove heater.
3. Orient the cove heater face down on a protective flat surface. Using the value recorded in step 2, measure this distance

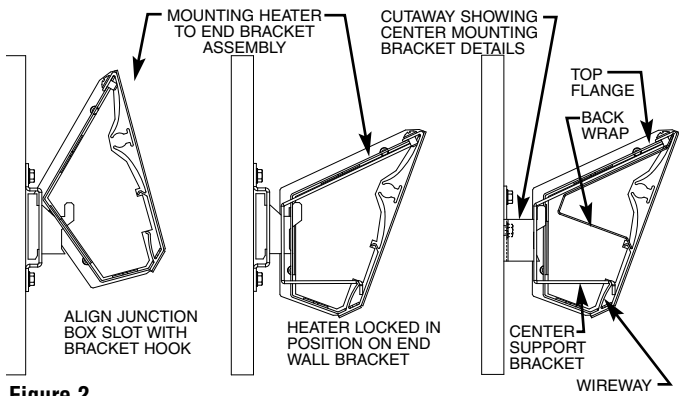


Figure 2

from the left end of the cove heater and mark this location on the back surface of the panel. Slide the center support bracket to the marked position on the panel, aligning the center of the bracket with this mark.

- To mount cove heater, attach center support bracket to the center wall bracket by tilting the heater back and allowing the upper slot to fall onto the bracket hook per Figure 2. Attach the junction boxes to the end wall brackets in a similar manner. Bring the cove heater forward to lock into place.

**For 1500 to 1800 Watt Heaters:**

The 1500 & 1800 watt cove heaters require the additional support of (2) center wall brackets due to the extra length. The mounting steps are similar to the 450 to 1200 watt cove heater with the following exceptions:

- After the approximate center location between the end wall brackets has been determined, measure 30 inches (762 mm) on each side of this location to determine the approximate location to mount the center wall brackets. Locate a stud nearest each mark. Use these studs for the center wall bracket locations. (Disregard original 30 inch location marks)
- Using the provided template, align the top of the template with the ceiling and the center of the pre-punched holes with the bracket marks on the wall. Choosing the proper bracket location holes, mark the bracket pilot hole locations using the selected pre-punched holes provided on the template. With the fasteners provided, mount the assembled end wall brackets and center wall brackets to the wall. Measure the distance between the center (slot) of the left end wall bracket and the hook of the left center wall bracket. Add 3-5/8 inches (92 mm) to this (left end) value and record it for the left center support bracket location on the cove heater. Determine the distance between the center of the right end wall bracket and the hook of the right center wall bracket. Add 3-5/8 inches (92 mm) to this (right end) value and record it for the right center support bracket placement on the cove heater.
- Orient the cove heater face down on a protective flat surface. Using the left end value recorded in step 2, measure this distance from the left end of the cove heater and mark this location on the back surface of the panel. Using the right end value recorded in step 2, measure this distance from the right end of the cove heater and mark this location on the back surface of the panel. Slide the center support brackets to the marked positions on the panel, aligning the center of the brackets with each mark.
- To mount cove heater, attach center support brackets to the center wall brackets by tilting the heater back and allowing the upper slot to fall onto the bracket hook per Figure 2. Attach the junction boxes to the end wall brackets in a similar manner. Bring the cove heater forward to lock into place.
- The cove heater can be wired from either end of the heater.

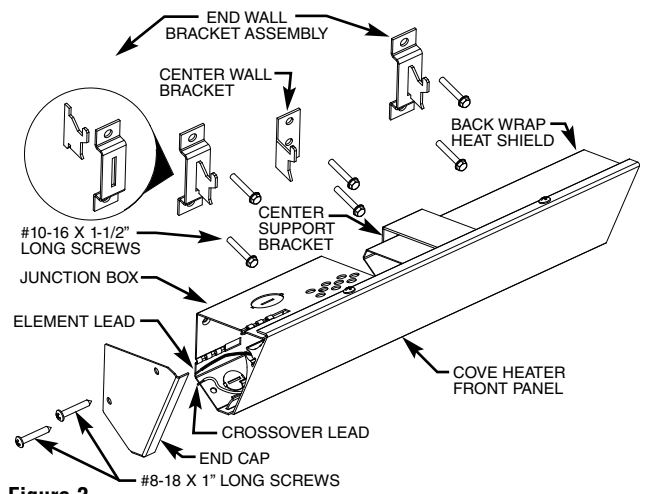


Figure 3

Install a cable clamp (supplied by others) in one of the knockouts located in back of the junction boxes you plan to use. Insert the power supply cable through the cable clamp allowing approximately 6" (152mm) of cable length to remain inside the box to facilitate wiring. Add at least 2 inches of cable loop between wall and knockout entering the junction box to allow for heater expansion.

- Refer to wiring diagrams on next page.
- Attach end caps (found in parts bag) as shown in Figure 3.

**INSTALLATION AT CORNER**

Heaters must be located so that the ends of each heater are 4 inches (102 mm) from side wall. See Figure 4.

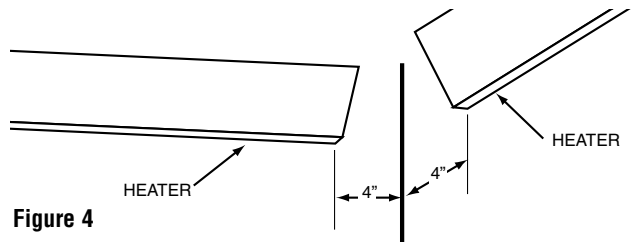


Figure 4

**OPERATING INSTRUCTIONS**

The heaters are intended to be controlled by a remote wall mounted thermostat. The thermostat should be located in the same room on a side wall. It should also be five feet above the floor, but not directly under the heater.

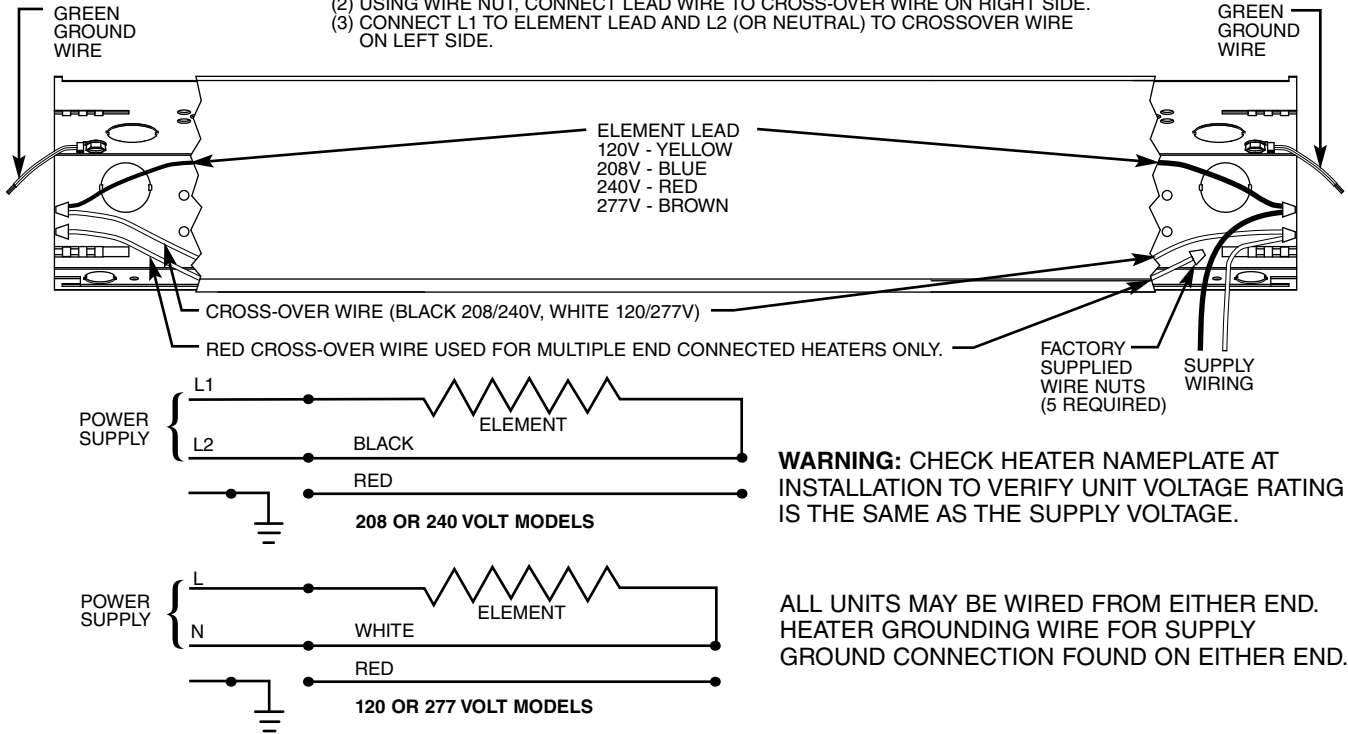
- Heater must be properly installed before operation.
- Turn power supply to heater "ON" at main switch panel.
- Where applicable, refer to control accessory instructions regarding proper operation of any controls used with the heater.

**NOTE:** For a period of time after the heaters are put into operation the owner may notice a "new smell" coming from the heaters. This is expected on new installations and will dissipate after approximately 24 hours of operation.

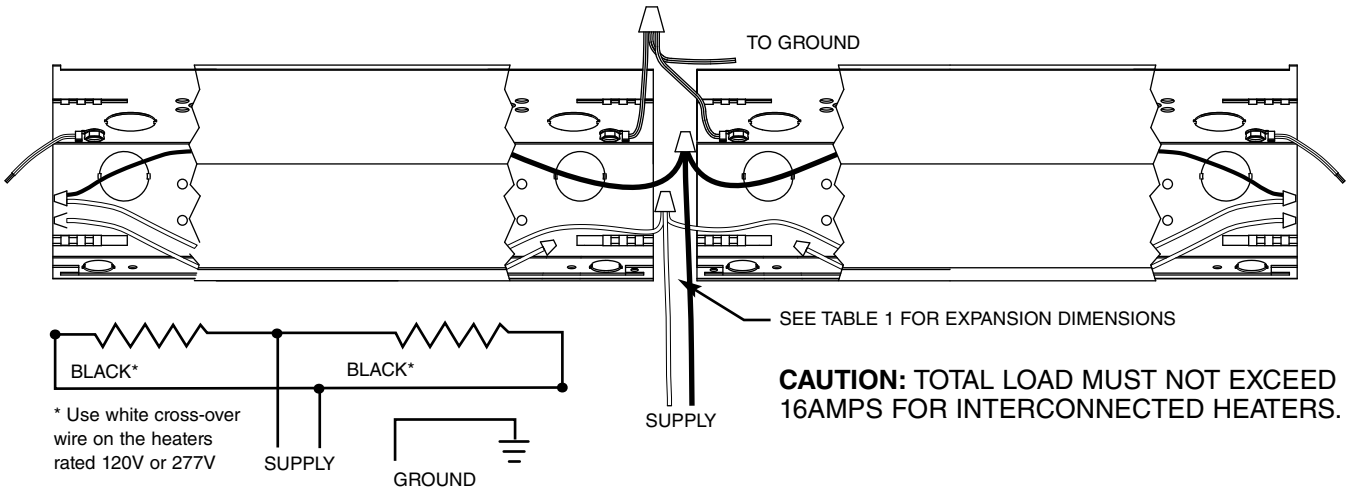
**NOTE:** For best results, the heater should be left "ON" constantly during the heating season as the thermostat, when properly set, will maintain the desired temperature.

## SINGLE UNIT WIRING – SUPPLY IN MIDDLE

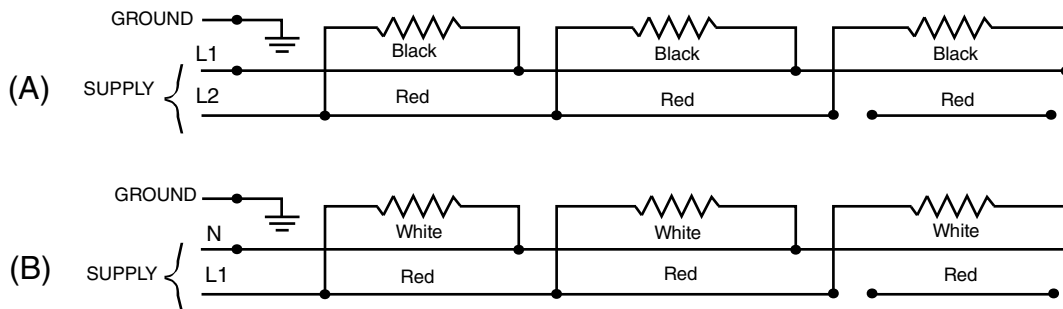
RIGHT HAND FIELD CONNECTION SHOWN. TO WIRE ON LEFT HAND SIDE:  
 (1) SEPARATE ELEMENT LEAD FROM CROSS-OVER WIRE ON LEFT SIDE.  
 (2) USING WIRE NUT, CONNECT LEAD WIRE TO CROSS-OVER WIRE ON RIGHT SIDE.  
 (3) CONNECT L1 TO ELEMENT LEAD AND L2 (OR NEUTRAL) TO CROSSOVER WIRE ON LEFT SIDE.



## TWO UNIT WIRING – SUPPLY IN MIDDLE



## TWO OR MORE HEATERS – SUPPLY AT END



(A) 240 / 208 VOLT HEATERS (B) 120 VOLT OR 277 VOLT HEATERS  
 FOR GROUND CONTINUITY BETWEEN ADJACENT HEATERS USE GROUND WIRE PROVIDED.  
 SEE NOTES ABOVE FOR TWO UNIT WIRING – SUPPLY IN MIDDLE.

Figure 5. Heater Wiring

# MAINTENANCE INSTRUCTIONS

It is important to keep this heater clean. Clean your heater at least annually or as needed. Your heater will give you years of service and comfort with only minimum care. To assure efficient operation follow the simple instructions below.

## **WARNING**

ALL SERVICING BEYOND SIMPLE CLEANING THAT REQUIRES DISASSEMBLY SHOULD BE PERFORMED BY QUALIFIED SERVICE PERSONNEL.

## **WARNING**

TO REDUCE RISK OF FIRE AND ELECTRIC SHOCK OR INJURY, DISCONNECT ALL POWER COMING TO HEATER AT MAIN SERVICE PANEL AND CHECK THAT THE ELEMENT IS COOL BEFORE SERVICING OR PERFORMING MAINTENANCE.

### **User Cleaning Instructions:**

1. After the heater has cooled, a vacuum cleaner with brush attachment may be used to remove dust and lint from exterior surfaces of the heater including the grille openings.
2. With a dry cloth, wipe dust and lint from grille and exterior surfaces.
3. Return power to heater and check to make sure it is operating properly.

### **Replacement Parts**

Elements and aluminum extrusions are not replaceable. Due to the intrinsic design of the cove heater, we are unable to furnish elements, extrusions, wires, back shields, and junction boxes as replaceable parts, however, the following parts kit is available.

Part Kit 1. Part number RIK-918MT-W for white cove heaters.

The above kit contain end caps, end brackets, center bracket, mounting template, and mounting hardware.

### **Accessories (Optional)**

**918IR-T-Z** Integral Thermostat: Range 45-90°F with positive off.

**918IR-SP-W** Splice Plate Assembly.

### LIMITED WARRANTY

All products manufactured by Indeeco are warranted against defects in workmanship and materials for one year from the date of purchase, except heating elements which are warranted against defects in workmanship and materials for five years from date of purchase. This warranty does not apply to damage from accident, misuse, or alteration; nor where the connected voltage is more than 5% above the nameplate voltage; nor to equipment improperly installed or wired or maintained in violation of the product's installation instructions. This warranty does not apply to refurbished products. All claims for warranty work must be accompanied by proof of the date of purchase.

The customer shall be responsible for all costs incurred in the removal or reinstallation of products, including labor costs, and shipping costs incurred to return products to Indeeco. Within the limitations of this warranty, inoperative units should be returned to Indeeco, and we will repair or replace, at our option, at no charge to you with return freight paid by Indeeco. It is agreed that such repair or replacement is the exclusive remedy available from Indeeco.

THE ABOVE WARRANTIES ARE IN LIEU OF ALL OTHER WARRANTIES EXPRESSED OR IMPLIED, AND ALL IMPLIED WARRANTIES OF MERCHANTABILITY AND FITNESS FOR A PARTICULAR PURPOSE WHICH EXCEED THE AFORESAID EXPRESSED WARRANTIES ARE HEREBY DISCLAIMED AND EXCLUDED FROM THIS AGREEMENT. Indeeco SHALL NOT BE LIABLE FOR CONSEQUENTIAL DAMAGES ARISING WITH RESPECT TO THE PRODUCT, WHETHER BASED UPON NEGLIGENCE, TORT, STRICT LIABILITY, OR CONTRACT.

Some states do not allow the exclusion or limitation of incidental or consequential damages, so the above exclusion or limitation may not apply to you. This warranty gives you specific legal rights, and you may have other rights which vary from state to state.

Contact Indeeco in St Louis, MO, at 314-644-4300. Merchandise returned to the factory must be accompanied by a return authorization and service identification tag, both available from Indeeco. When requesting return authorization, include all catalog numbers shown on the products.

#### HOW TO OBTAIN WARRANTY SERVICE AND WARRANTY PARTS PLUS GENERAL INFORMATION

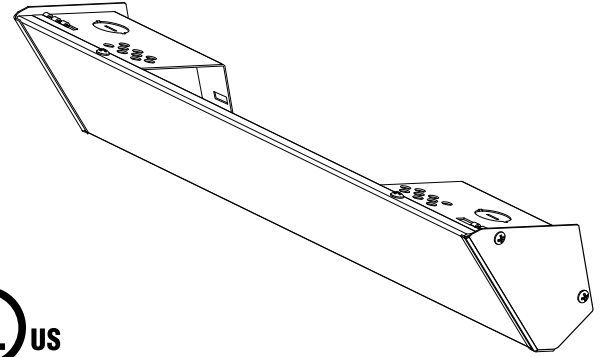
1. Warranty Service or Parts **314-644-4300**
2. General Product Information **[www.indeeco.com](http://www.indeeco.com)**

**Note:** When obtaining service always have the following:

1. Model number of the product
2. Date of manufacture
3. Part number or description



St Louis, MO 63144 USA



## Serie 918 Calefactores radiantes esquineros de techo

### Instrucciones de instalación, operación y mantenimiento

#### Especificaciones

Modelo N°	Potencia (watts)	Tensión (volts)	Corriente (A)	Longitud (pulgadas)
918IR-4508-W	450W	208V	2.2	34
918IR-4512-W		120V	3.7	
918IR-4524-W		240V	1.9	
918IR-6008-W	600W	208V	2.9	47
918IR-6012-W		120V	5.0	
918IR-6024-W		240V	2.5	
918IR-6027-W		277V	2.2	
918IR-7508-W	750W	208V	3.6	59
918IR-7512-W		120V	6.2	
918IR-7524-W		240V	3.1	
918IR-7527-W		277V	2.7	
918IR-9008-W	900W	208V	4.3	71
918IR-9012-W		120V	7.5	
918IR-9024-W		240V	3.7	
918IR-9027-W		277V	3.2	

Modelo N°	Potencia (watts)	Tensión (volts)	Corriente (A)	Longitud (pulgadas)
918IR-10508-W	1050W	208V	5.0	83
918IR-10512-W		120V	8.8	
918IR-10524-W		240V	4.4	
918IR-10527-W		277V	3.8	
918IR-12008-W	1200W	208V	5.8	94
918IR-12012-W		120V	10.0	
918IR-12024-W		240V	5	
918IR-12027-W		277V	4.3	
918IR-15008-W	1500W	208V	7.2	118
918IR-15024-W		240V	6.2	
918IR-15027-W		277V	5.4	
918IR-18008-W	1800W	208V	8.7	132
918IR-18024-W		240V	7.5	
918IR-18027-W		277V	6.5	

## INSTRUCCIONES IMPORTANTES



### ADVERTENCIA



AL UTILIZAR ARTEFACTOS ELÉCTRICOS, PARA REDUCIR EL RIESGO DE INCENDIO, CHOQUE ELÉCTRICO Y LESIONES PERSONALES DEBEN OBSERVARSE SIEMPRE ALGUNAS PRECAUCIONES BÁSICAS, COMO LAS SIGUIENTES:

1. Lea todas las instrucciones antes de instalar o utilizar este calefactor.
2. Cuando está en funcionamiento, el calefactor está muy caliente. Para evitar quemaduras, no deje que su piel haga contacto directo con las superficies calientes. Mantenga los materiales combustibles como muebles, almohadas, ropas de cama, papeles, ropas, cortinas, etc. a 3 pies (0,9 m) como mínimo del frente del calefactor.
3. Se necesita extremo cuidado al utilizar cualquier calefactor junto a o cerca de niños o inválidos, y en todo momento en que el calefactor quede funcionando y desatendido.
4. No opere ningún calefactor después de que haya tenido una falla de funcionamiento. Desconecte la alimentación eléctrica en el tablero de servicio y haga revisar el calefactor por un electricista calificado antes de usarlo.
5. No use el equipo en exteriores.
6. Para desconectar el calefactor, lleve los controles a la posición Apagado (OFF) y desconecte la alimentación del circuito del calefactor en el tablero de desconexión principal.
7. No inserte ni permita que entren objetos extraños en ninguna abertu-

tura de ventilación o de descarga, porque esto puede ser causa de choque eléctrico, incendio o daño al calefactor.

8. Para evitar un posible incendio, no bloquee de ningún modo la entrada ni la descarga de aire.
9. Un calefactor tiene en su interior piezas calientes, y piezas en las que se producen arcos o chispas. No lo utilice en áreas en las que se utilice o almacene gasolina, pintura o líquidos inflamables.
10. Utilice este calefactor únicamente de la manera descrita en este manual. Cualquier otra forma de uso no recomendada por el fabricante puede ser causa de incendio, choque eléctrico o daños personales.
11. Este calefactor está destinado a aplicaciones de calefacción ambiental, y no es para utilizar en ambientes especiales. No lo use en lugares húmedos o mojados como zonas marítimas o invernales, ni en áreas en las que estén presentes agentes químicos o corrosivos.
12. Al realizar la instalación, vea las advertencias y precauciones adicionales en las INSTRUCCIONES DE INSTALACIÓN.
13. Para garantizar una operación segura y eficiente, y para extender la vida útil de su calefactor, manténgalo limpio. Vea las INSTRUCCIONES DE MANTENIMIENTO.

## GUARDE ESTAS INSTRUCCIONES

# INSTRUCCIONES DE INSTALACIÓN

## ⚠️ ADVERTENCIA ⚠️

Para evitar un posible incendio, lesiones personales o daños al calefactor, observe lo siguiente:

1. Antes de proceder a tareas de conexión o de reparación del calefactor, desconecte toda la alimentación eléctrica que llega al mismo desde el tablero principal de servicio.
2. Todos los procedimientos de cableado y conexiones deben hacerse de conformidad con los códigos nacionales y locales que tengan jurisdicción, y el calefactor debe estar conectado a tierra.
3. Verifique que la tensión de alimentación provista al calefactor coincida con la tensión nominal indicada en la placa de características del mismo.

**ATENCIÓN: SI SE ENERGIZA UN CALEFACTOR CON UNA TENSIÓN MAYOR QUE EL VALOR DE TENSIÓN IMPRESO EN LA PLACA DE CARACTERÍSTICAS, SE DAÑARÁ EL CALEFACTOR, SE ANULARÁ LA GARANTÍA, Y PODRÍA PRODUCIRSE UN INCENDIO.**

4. **ATENCIÓN:** alta temperatura, riesgo de incendio. Mantenga los cables eléctricos, cortinados, muebles y otros elementos combustibles a 3 pies (0,9 m) como mínimo del frente del calefactor. No instale el calefactor detrás de puertas, debajo de toalleros, ni en un área en la que esté sujeto a bloqueo por muebles, cortinas o materiales almacenados. El aire caliente que sale del calefactor puede dañar algunas telas y plásticos.
5. Para reducir el riesgo de incendio, no almacene ni use gasolina u otros vapores y líquidos inflamables en las cercanías del calefactor.
6. Este calefactor debe montarse únicamente por medio de los soportes de montaje incluidos con la unidad, como se describe en este manual.
7. Deben mantenerse los espacios libres mínimos siguientes (vea la Figura 1 y la Figura 4):

Del fondo del calefactor al piso: 6" (1828 mm).

Del costado del calefactor a la pared adyacente: 4" (102 mm).

De la cara superior del calefactor al cielorraso de placa de yeso: 4" (102 mm).

De la cara superior del calefactor al cielorraso suspendido, vinílico o de molduras: 6" (152 mm).

Tabla 1

POTENCIA (WATTS)	MÁXIMA EXPANSIÓN ADMISIBLE	DISTANCIA ENTRE RANURAS DE MONTAJE (ENTRE CENTROS)
450	1/8" (4 mm)	27,75" (705 mm)
600	1/4" (7 mm)	40,75" (1,035 mm)
750	1/2" (13 mm)	52,75" (1,340 mm)
900	3/4" (19 mm)	64,75" (1,645 mm)
1050	7/8" (23 mm)	76,75" (1,949 mm)
1200	1-1/8" (29 mm)	87,75" (2,229 mm)
1500	1-3/8" (35 mm)	111,75" (2,838 mm)
1800	1-1/2" (38 mm)	125,75" (3,194 mm)

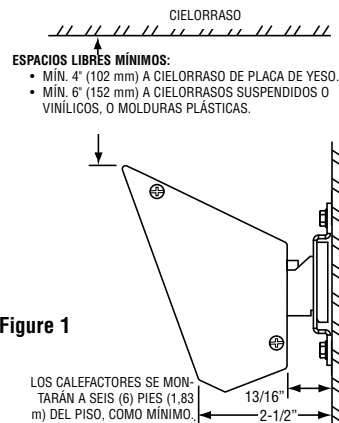
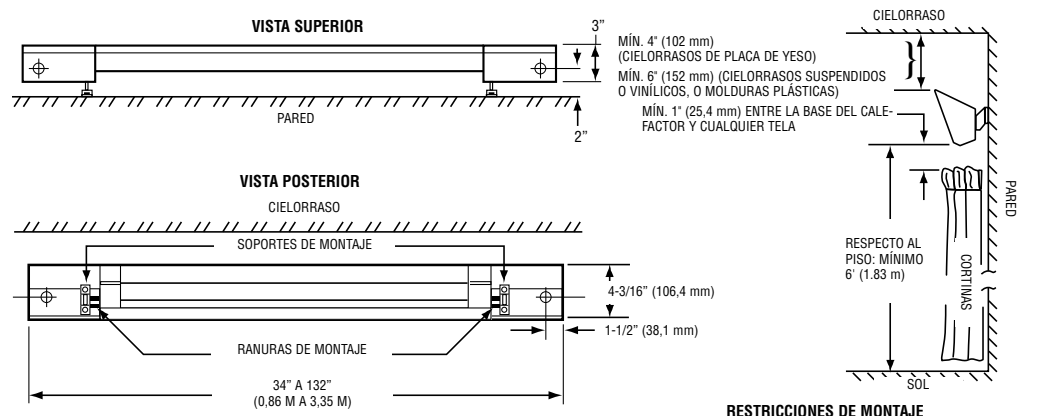


Figure 1



## GENERALIDADES

Los calefactores esquineros de techo están diseñados para proporcionar muchos años de funcionamiento eficiente y sin problemas como fuente de calor complementaria para calefacción ambiental, en aplicaciones residenciales y comerciales. Los calefactores esquineros de techo pueden controlarse por medio de un termostato, para garantizar un funcionamiento eficiente y seguro. No se incluye un termostato con este calefactor. Los calefactores esquineros de techo pueden conectarse a cualquier termostato de uno o dos polos para tensión de línea, que cumpla con los requisitos de carga eléctrica. Vea **Accesorios** en la página 5.

**Al instalar dos o más calefactores a lo largo de una pared:**

## PRECAUCIÓN ⚠️

EL CALEFACTOR DEBE MONTARSE AL MENOS A 6" (182.8 CM / 1.83 M) POR ENCIMA DEL PISO, PARA IMPEDIR CONTACTOS ACCIDENTALES.

1. Monte los calefactores dejando un espacio adecuado entre ellos, tal como lo indica la Tabla 1.
2. Si lo desea, puede instalar la Placa de Unión opcional 918IR-SP-W siguiendo las instrucciones que se proveen con ella.

Al montar calefactores adyacentes (extremo a extremo), agregue la 'máxima expansión admisible' de cada calefactor, y prevea ese espacio libre entre los extremos de las unidades. Vea la Tabla 1.

## MONTAJE DEL CALEFACTOR

**Para calefactores de 450 a 1200 watts:**

1. Seleccione la distancia de montaje correcta según el material del cielorraso, como se indica en la Figura 1. Mediante la Tabla 1, determine la distancia entre centros de los soportes extremos de pared según la potencia en watts del modelo particular que se va a montar. Divida este valor por 2 para determinar la ubicación aproximada de montaje del soporte central de pared. Marque estas ubicaciones en la pared elegida. Localice un travesaño cercano a la marca para el soporte central de pared. Use este travesaño para la ubicación del soporte. (No tenga en cuenta la marca original mencionada antes). Arme los soportes extremos de pared como se indica en la Figura 3.
2. Usando la plantilla provista, alinee el extremo superior de la misma con el cielorraso, y el centro de los agujeros preperforados con las marcas de los soportes sobre la pared. Eligiendo los agujeros adecuados de ubicación de los soportes (extremos y central), marque las ubicaciones de los agujeros de guía para los soportes usando los agujeros preperforados de la plantilla seleccionados. Con los sujetadores provistos, monte en la pared los soportes extremos armados y el soporte central. Mediante una cinta métrica, determine la distancia entre el centro (ranura) del soporte extremo de pared del lado izquierdo y el gancho del soporte central de pared. Agregue 3-5/8 pulgadas (92 mm) a este valor, y registre el resultado para la ubicación de la escuadra de soporte central en el calefactor.
3. Oriente el calefactor con el frente hacia abajo, sobre una superficie plana protectora. Usando el valor registrado en el paso 2, mida esta distancia desde el extremo izquierdo del calefactor y marque esta ubicación en la superficie del dorso del panel. Deslice la escuadra



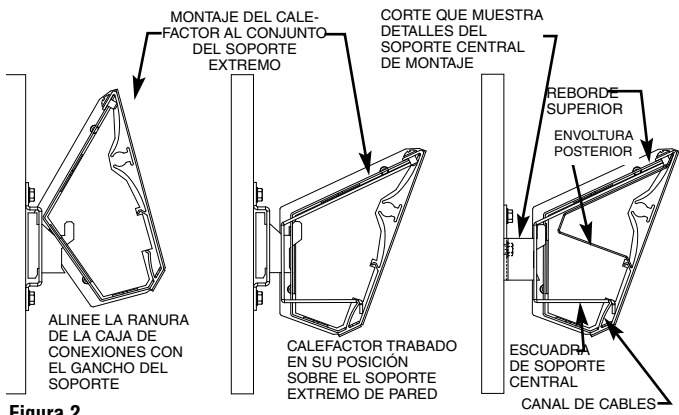


Figura 2

de soporte central hasta la posición marcada en el panel, alineando el centro del soporte con esta marca.

- Para montar el calefactor, fije la escuadra de soporte central al soporte central de pared inclinando el calefactor hacia atrás y haciendo que la ranura superior caiga sobre el gancho del soporte, según se indica en la Figura 2. Fije las cajas de conexiones a los soportes extremos de pared en forma similar. Lleve el calefactor hacia adelante, para fijarlo en su posición.

#### Para calefactores de 1500 a 1800 watts:

Los calefactores esquineros de techo de 1 500 y 1 800 watts necesitan dos (2) soportes centrales de pared adicionales, debido a su mayor longitud. Los pasos de montaje son similares a los de los calefactores de 450 a 1 200 watts, con las excepciones siguientes:

- Después de haber determinado la ubicación aproximada del centro entre los soportes extremos de pared, mida 30 pulgadas (762 mm) a cada lado de esta ubicación, para determinar el lugar aproximado de montaje de los soportes centrales de pared. Localice un travesaño cercano a cada marca. Use estos travesaños para la ubicación de los soportes centrales de pared. (No tenga en cuenta las marcas originales de ubicación a 30 pulgadas).
- Usando la plantilla provista, alinee el extremo superior de la misma con el cielorraso, y el centro de los agujeros preperforados con las marcas de los soportes sobre la pared. Eligiendo los agujeros adecuados de ubicación de los soportes, marque las ubicaciones de los agujeros de guía para los soportes usando los agujeros preperforados de la plantilla seleccionados. Con los sujetadores provistos, monte en la pared los soportes extremos armados y los soportes centrales. Mida la distancia entre el centro (ranura) del soporte extremo de pared del lado izquierdo y el gancho del soporte central de pared del lado izquierdo. Agregue 3-5/8 pulgadas (92 mm) a este valor (extremo izquierdo), y registre el resultado para la ubicación de la escuadra de soporte central izquierda en el calefactor. Determine la distancia entre el centro del soporte extremo de pared del lado derecho y el gancho del soporte central de pared del lado derecho. Agregue 3-5/8 pulgadas (92 mm) a este valor (extremo derecho), y registre el resultado para la ubicación de la escuadra de soporte central derecha en el calefactor.
- Orienté el calefactor con el frente hacia abajo, sobre una superficie plana protectora. Usando el valor del extremo izquierdo registrado en el paso 2, mida esta distancia desde el extremo izquierdo del calefactor y marque esta ubicación en la superficie del dorso del panel. Usando el valor del extremo derecho registrado en el paso 2, mida esta distancia desde el extremo derecho del calefactor y marque esta ubicación en la superficie del dorso del panel. Deslice las escuadras de soporte central hasta las posiciones marcadas en el panel, alineando el centro de los soportes con cada marca.
- Para montar el calefactor, fije las escuadras de soporte central a los soportes centrales de pared inclinando el calefactor hacia atrás y haciendo que la ranura superior caiga sobre el gancho del soporte, según se indica en la Figura 2. Fije las cajas de conexiones a los soportes extremos de pared en forma similar. Lleve el calefactor hacia adelante, para fijarlo en su posición.
- El calefactor esquinero puede conectarse desde cualquiera de sus extremos. Référez-vous aux schémas de câblage de la page suivante. Fixez les capuchons d'extrémité (qui se trouvent dans le sac de pièces) comme c'est montré en Figure 3. Instale una abrazadera para cables (suministrada por terceros) en alguno de los prepunzonos

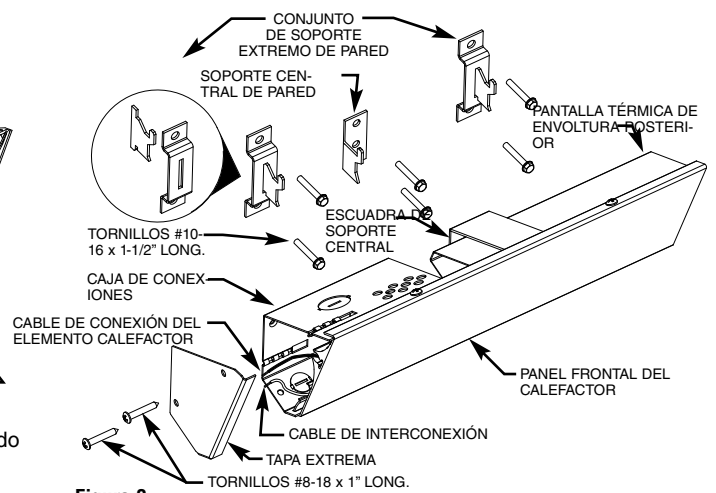


Figura 3

ados ubicados en la parte posterior de las cajas de conexiones que va a utilizar. Inserte el cable de alimentación eléctrica a través de la abrazadera, dejando aproximadamente 6" (152 mm) de longitud de cable dentro de la caja, para facilitar el cableado. Agregue al menos 2 pulgadas de lazo de cable entre la pared y el prepunzonado de entrada a la caja de conexiones, para tener en cuenta la expansión del calefactor.

6. Vea los diagramas de conexiones en la próxima página.
7. Coloque las tapas extremas (que se proveen en la bolsa de piezas) como lo muestra la Figura 3.

#### INSTALACIÓN EN UNA ESQUINA

Los calefactores deben ubicarse de modo que los extremos de cada uno se encuentren a 4 pulgadas (102 mm) de la pared lateral. Vea la Figura 4.

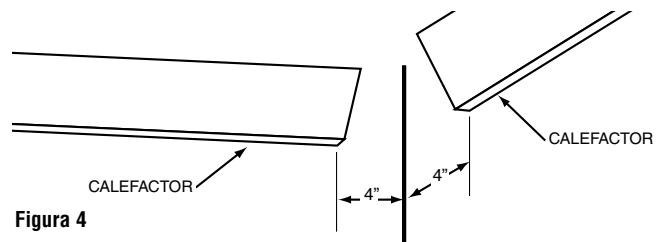


Figura 4

## INSTRUCCIONES DE OPERACIÓN

Los calefactores deben estar controlados por un termostato remoto montado en la pared. El termostato debe estar ubicado en la misma habitación, en una pared lateral. Debe estar además a cinco pies encima del suelo, pero no directamente debajo del calefactor.

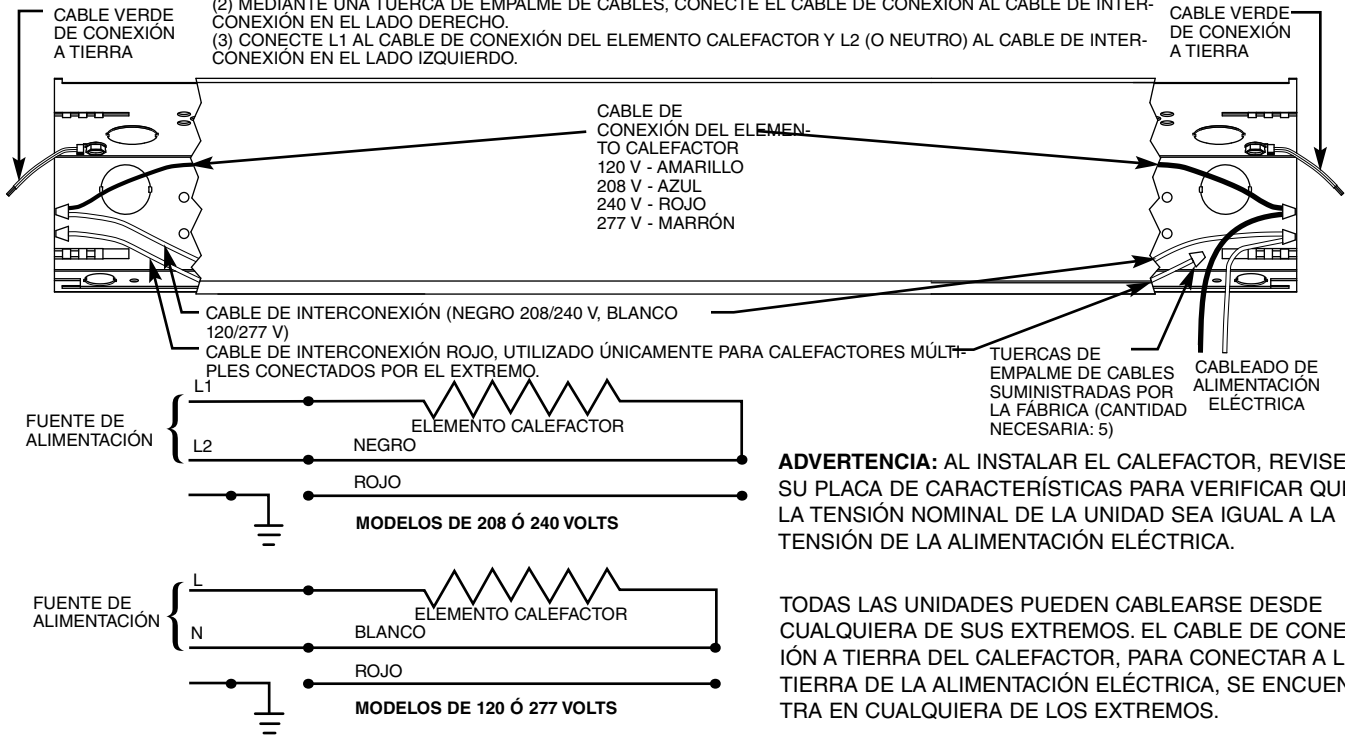
1. El calefactor debe instalarse correctamente antes de ponerlo en funcionamiento.
2. Conecte la alimentación eléctrica al calefactor en el tablero de distribución principal.
3. Donde sea aplicable, para ver la operación correcta de los controles que pueda utilizar el calefactor consulte las instrucciones de los accesorios de control.

**NOTA:** durante un cierto tiempo a partir de la puesta en marcha de los calefactores, el usuario puede advertir que ellos emiten un 'aroma a nuevo'. Esto es esperable en instalaciones nuevas, y se disipará después de unas 24 horas de operación.

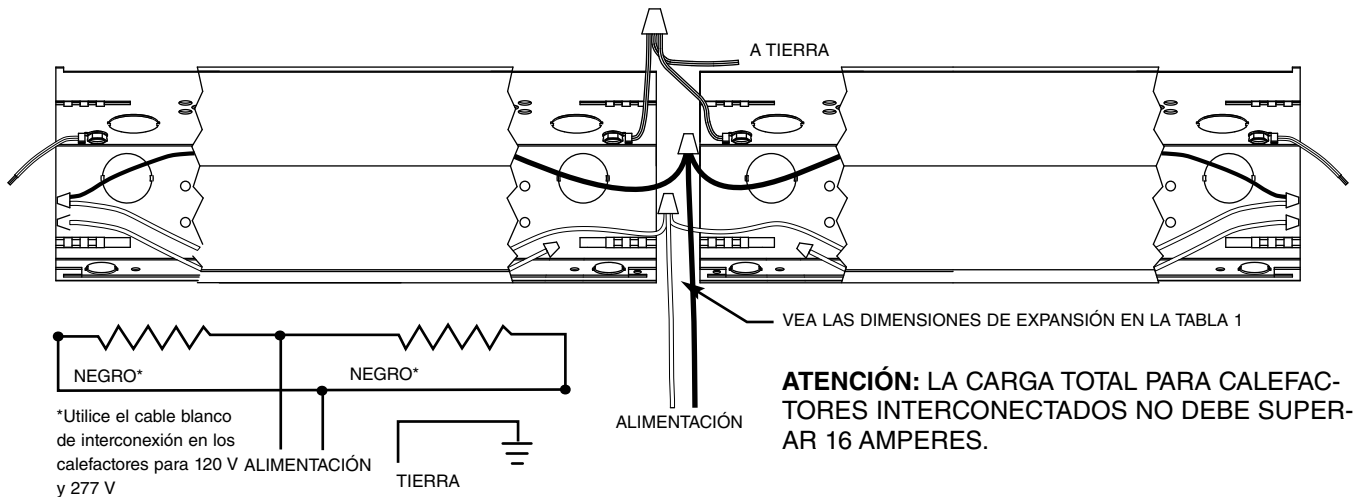
**NOTA:** para obtener los mejores resultados, el calefactor debe permanecer constantemente Encendido ('ON') durante la temporada en que se necesite calefacción, ya que el termostato, siempre que esté correctamente ajustado, mantendrá la temperatura deseada.

## CABLEADO DE UNA UNIDAD – ALIMENTACIÓN ELÉCTRICA EN EL MEDIO

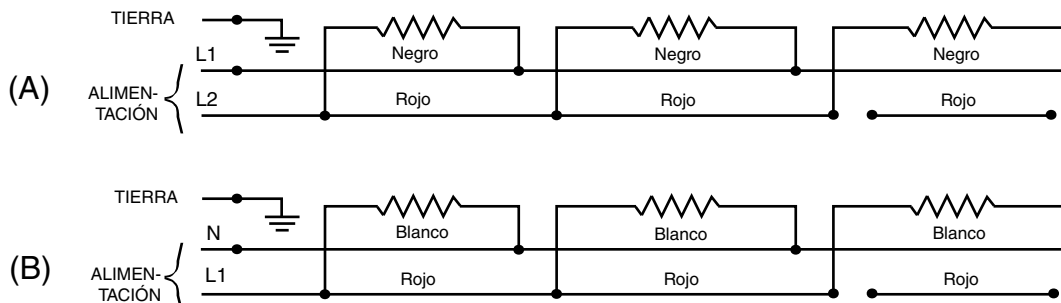
SE MUESTRA EL CONEXIONADO EN EL SITIO, EN EL LADO DERECHO. PARA CONECTAR EN EL LADO IZQUIERDO:  
 (1) SEPARÉ EL CABLE DE CONEXIÓN DEL ELEMENTO CALEFACTOR DEL CABLE DE INTERCONEXIÓN EN EL LADO IZQUIERDO.  
 (2) MEDIANTE UNA TUERCA DE EMPALME DE CABLES, CONECTE EL CABLE DE CONEXIÓN AL CABLE DE INTERCONEXIÓN EN EL LADO DERECHO.  
 (3) CONECTE L1 AL CABLE DE CONEXIÓN DEL ELEMENTO CALEFACTOR Y L2 (O NEUTRO) AL CABLE DE INTERCONEXIÓN EN EL LADO IZQUIERDO.



## CABLEADO DE DOS UNIDADES – ALIMENTACIÓN ELÉCTRICA EN EL MEDIO



## DOS O MÁS CALEFACTORES – ALIMENTACIÓN ELÉCTRICA EN EL EXTREMO



(A) CALEFACTORES DE 240 / 208 VOLTS; (B) CALEFACTORES DE 120 VOLTS Ó 277 VOLTS

PARA ASEGURAR LA CONTINUIDAD DE LA CONEXIÓN A TIERRA ENTRE CALEFACTORES ADYACENTES, UTILICE EL CABLE PROVISORIO PARA CONEXIÓN A TIERRA.

VEA ARRIBA LAS NOTAS PARA EL CABLEADO DE DOS UNIDADES, CON ALIMENTACIÓN ELÉCTRICA EN EL MEDIO.

Figura 5. Conexionado de calefactores

# INSTRUCCIONES DE MANTENIMIENTO

Es importante mantener limpio este calefactor. Limpie su calefactor al menos una vez al año o cuando o necesite. Su calefactor le brindará muchos años de servicio y confort con sólo un mínimo de cuidado. Para asegurar un funcionamiento eficiente, observe las instrucciones simples que se indican a continuación.

## ADVERTENCIA

TODO SERVICIO, MÁS ALLÁ DE UNA SIMPLE LIMPIEZA, QUE REQUIERA UN DESMONTAJE DEBE SER REALIZADO POR PERSONAL DE SERVICIO CALIFICADO.

## ADVERTENCIA

PARA REDUCIR EL RIESGO DE INCENDIO Y DE CHOQUE ELÉCTRICO O LESIONES, DESCONECTE TODA LA ALIMENTACIÓN ELÉCTRICA QUE LLEGA AL CALEFACTOR EN EL TABLERO PRINCIPAL DE SERVICIO Y VERIFIQUE QUE EL ELEMENTO CALEFACTOR ESTÉ FRÍO ANTES DE PRESTAR SERVICIO O DE REALIZAR EL MANTENIMIENTO.

### Instrucciones de limpieza para el usuario:

1. Después de que el calefactor se haya enfriado, puede utilizarse una aspiradora con accesorio de cepillo para eliminar el polvo y la pelusa de las superficies exteriores del calefactor, incluidas las aberturas de la rejilla.
2. Con un paño húmedo, elimine el polvo y la pelusa de la rejilla y las superficies exteriores.
3. Vuelva a conectar la alimentación eléctrica al calefactor y asegúrese de que funcione correctamente.

### Piezas de repuesto

Los elementos calefactores y las piezas de aluminio extruidas no son reemplazables. Debido al diseño intrínseco del calefactor esquinero de techo, no podemos suministrar elementos calefactores, piezas extruidas, cables, pantallas posteriores ni cajas de conexiones como piezas reemplazables; sin embargo, está disponible el siguiente juego de piezas:

Juego de piezas 1: Número de pieza RIK-918MT-W for calefactores blancos.

El juego mencionado contiene tapas extremas, soportes extremos, soporte central, plantilla de montaje y accesorios de montaje.

### ACCESORIOS (opcionales)

**918IR-T-Z** Termostato incorporado RCCT: gama de temperaturas de 45 a 90 °F (de 7.2 a 32.2 °C), con apagado positivo.

Conjunto de placa de unión **918IR-SP-W**.

## GARANTÍA LIMITADA

Todos los productos fabricados por Indeeco están garantizados contra defectos de fabricación y de materiales por 1 año desde la fecha de compra, excepto los elementos calefactores los cuales están garantizados contra defectos en manufactura y materiales durante 5 años a partir de la fecha de compra. Esta garantía no se aplica a daños debidos a accidente, mal uso o alteración, ni a los casos en que la tensión eléctrica conectada supere a la tensión nominal indicada en la placa de características- en más de 5 %, ni a equipos que hayan sido instalados o cableados incorrectamente, o mantenidos en forma que no cumpla lo indicado en las instrucciones de instalación del producto. Esta garantía no se aplica a los productos reacondicionados. Todo reclamo por trabajos en garantía debe acompañarse con una prueba de la fecha de compra.

El cliente será responsable de todos los costos incurridos en el retiro o reinstalación de productos, incluyendo los costos de mano de obra y los costos de envío incurridos para regresar productos a un Centro de Servicio de Indeeco. Dentro de las limitaciones de esta garantía, las unidades que no funcionan deben regresarse al centro de servicio autorizado Indeeco más cercano, o al Centro de Servicio de Indeeco, y nosotros lo repararemos o reemplazaremos, a nuestra opción, sin cargo para usted, con el flete de retorno pagado por Indeeco. Se acuerda que tal reparación o reemplazo es el único recurso que Indeeco pone a su disposición.

LAS GARANTÍAS EXPUESTAS MÁS ARRIBA TOMAN EL LUGAR DE TODA OTRA GARANTÍA, EXPRESA O IMPLÍCITA, Y POR LA PRESENTE SE DECLINA Y EXCLUYE DE ESTE ACUERDO TODA GARANTÍA IMPLÍCITA DE COMERCIABILIDAD Y ADECUACIÓN A UN PROPÓSITO PARTICULAR QUE EXCEDA LAS GARANTÍAS EXPRESAS ANTEDICHAS. INDEECO NO SE HARÁ RESPONSABLE POR DAÑOS CONSIGUIENTES QUE SE PRODUZCAN CON RESPECTO AL PRODUCTO, EN BASE YA SEA A NEGLIGENCIA, AGRAVIO, RESPONSABILIDAD ESTRICTA, O CONTRATO.

Algunos estados o jurisdicciones no permiten la exclusión o limitación de daños incidentales o consiguientes, de modo que la exclusión o limitación expresada más arriba puede no aplicarse a su caso. Esta garantía le da derechos legales específicos, y usted puede tener también otros derechos, que varían de un estado o jurisdicción a otro.

Para obtener la dirección de su centro de servicio autorizado más cercano comuníquese con Indeeco en St Louis, MO, Estados Unidos, llamando al 314-644-4300. Toda mercadería regresada a la fábrica debe ser acompañada por una autorización de retorno y una etiqueta de identificación de servicio, disponibles ambas en Indeeco. Cuando solicite la autorización de retorno, incluya todos los números de catálogo mostrados en los productos.

### CÓMO OBTENER SERVICIO EN GARANTÍA, PIEZAS DE REPUESTO E INFORMACIÓN GENERAL

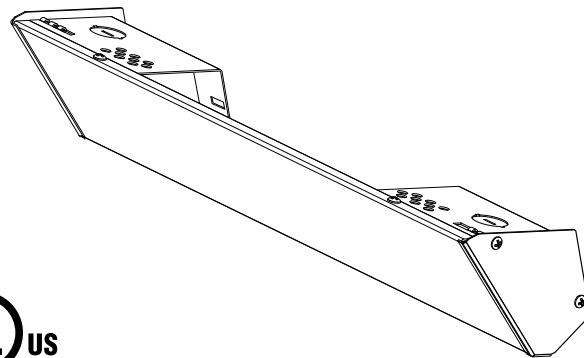
- |  |  |
|--|--|
| 1. Servicio o repuestos en garantía    | 314-644-4300   |
| 2. Información general sobre productos | <a href="http://www.indeeco.com">www.indeeco.com</a> |

**Nota:** cuando solicite servicio, siempre dé la información que sigue:

1. Número de modelo del producto
2. Fecha de fabricación
3. Número de parte o descripción



St Louis, MO 63144 USA



## Série 918 Radiateurs de chauffage radiant en corniche

### Instructions d'installation, d'utilisation et d'entretien

#### Spécifications

Modèle No.	Watts	Voltage	Ampères	Longueur (en pouces)
918IR-4508-W	450W	208V	2.2	34
918IR-4512-W		120V	3.7	
918IR-4524-W		240V	1.9	
918IR-6008-W	600W	208V	2.9	47
918IR-6012-W		120V	5.0	
918IR-6024-W		240V	2.5	
918IR-6027-W		277V	2.2	
918IR-7508-W	750W	208V	3.6	59
918IR-7512-W		120V	6.2	
918IR-7524-W		240V	3.1	
918IR-7527-W		277V	2.7	
918IR-9008-W	900W	208V	4.3	71
918IR-9012-W		120V	7.5	
918IR-9024-W		240V	3.7	
918IR-9027-W		277V	3.2	

Modèle No.	Watts	Voltage	Ampères	Longueur (en pouces)
918IR-10508-W	1050W	208V	5.0	83
918IR-10512-W		120V	8.8	
918IR-10524-W		240V	4.4	
918IR-10527-W		277V	3.8	
918IR-12008-W	1200W	208V	5.8	94
918IR-12012-W		120V	10.0	
918IR-12024-W		240V	5	
918IR-12027-W		277V	4.3	
918IR-15008-W	1500W	208V	7.2	118
918IR-15024-W		240V	6.2	
918IR-15027-W		277V	5.4	
918IR-18008-W	1800W	208V	8.7	132
918IR-18024-W		240V	7.5	
918IR-18027-W		277V	6.5	

## INSTRUCTIONS IMPORTANTES

### ⚠ AVERTISSEMENT ⚠

LORS DE L'UTILISATION D'APPAREILS ÉLECTRIQUES, DES PRÉCAUTIONS DE BASE DOIVENT TOUJOURS ÊTRE SUIVIES AFIN DE RÉDUIRE LE RISQUE DE DÉPART D'INCENDIE, DE COMMOTION ÉLECTRIQUE ET DE BLESSURES AUX PERSONNES, INCLUANT CELLES QUI SUIVENT :

1. Lisez toutes les instructions avant d'installer ou d'utiliser le radiateur.
2. Ce radiateur est chaud quand il est en fonctionnement. Pour éviter des brûlures, ne laissez pas de peau nue toucher ses surfaces chaudes. Maintenez les matières combustibles comme le mobilier, les oreillers, la literie, les papiers, les vêtements et les couvertures, à au moins 3 pieds (90 cm) de distance de l'avant du radiateur.
3. Il faut faire très attention quand un radiateur quelconque est utilisé par des enfants ou des personnes invalides ou près d'eux, et à chaque fois que le radiateur est laissé en marche sans surveillance.
4. N'utilisez plus un radiateur s'il a présenté des dysfonctionnements. Débranchez son alimentation au panneau de distribution du secteur et faites-le inspecter par un bon électricien avant de le réutiliser.
5. Ne l'utilisez pas à l'extérieur.
6. Pour déconnecter le radiateur, passez sa commande sur arrêt (Off) et coupez le secteur en amont au panneau de distribution.
7. N'insérez pas d'objets étrangers, et ne permettez pas qu'il en entre, dans toute ouverture d'admission ou d'évacuation, car cela peut

causer une commotion électrique ou un départ d'incendie, ou endommager le radiateur.

8. Pour éviter un possible départ d'incendie, n'obstruez en aucune façon les admissions et les échappements d'air.
9. Un radiateur comporte à l'intérieur des parties chaudes, et pouvant produire un arc ou des étincelles électriques. Ne l'utilisez pas dans des zones où de l'essence ou des liquides inflammables sont utilisés ou entreposés.
10. N'utilisez ce radiateur que comme c'est décrit dans ce manuel. Toute autre utilisation non recommandée par le constructeur peut causer un départ d'incendie, une commotion électrique ou des blessures corporelles.
11. Ce radiateur est prévu pour des applications de chauffage de confort, et n'est pas conçu pour une utilisation dans des endroits spéciaux. Ne l'utilisez pas dans des lieux humides ou mouillés, tels que dans un contexte marin ou une serre, ou dans des endroits où il y a présence d'agents corrosifs ou chimiques.
12. Lors de l'installation, voyez les INSTRUCTIONS D'INSTALLATION pour des mises en gardes et précautions supplémentaires.
13. Pour un fonctionnement sûr et efficace, et pour prolonger sa durée de service, gardez votre radiateur propre – Voyez les INSTRUCTIONS D'ENTRETIEN.

## CONSERVEZ CES INSTRUCTIONS

# INSTRUCTIONS D'INSTALLATION

## ⚠ AVERTISSEMENT ⚠

Pour éviter un possible départ d'incendie, des blessures corporelles ou des dommages au radiateur, respectez ces consignes :

- Débranchez toute alimentation secteur arrivant au panneau de service principal avant de câbler ou d'intervenir pour du service.
- Toutes les procédures de câblage et les raccordements doivent être en conformité avec les normes nationales et locales applicables, et le radiateur doit être relié à la terre.
- Vérifiez que la tension du secteur arrivant au radiateur correspond bien aux valeurs spécifiées sur sa plaque signalétique.

**ATTENTION : ALIMENTER LE RADIATEUR AVEC UNE TENSION DÉPASSANT LA VALEUR IMPRIMÉE SUR LA PLAQUE SIGNALÉTIQUE ENDOMMAGERA LE RADIATEUR ET ANNULERA SA GARANTIE, ET CELA PEUT PROVOQUER UN DÉPART D'INCENDIE.**

- ATTENTION** – Température élevée et risque de départ d'incendie, gardez les cordons électriques, les draperies et textiles d'intérieur, et d'autres matières combustibles, à au moins 3 pieds (90 cm) de l'avant du radiateur. N'installez pas le radiateur derrière des portes, sous des porte-serviettes ou dans une zone où il est susceptible d'être bloqué par des meubles, des rideaux ou des matériaux de rangement. L'air chaud venant du radiateur peut endommager certains tissus et plastiques.
- Pour réduire le risque de départ d'incendie, n'entreposez pas et n'utilisez pas d'essence ou d'autres produits inflammables sous forme de liquide ou de vapeurs à proximité du radiateur.
- Ce radiateur doit être monté uniquement en utilisant les supports de montage livrés avec, comme c'est décrit dans ce manuel.
- Les écartements minimaux qui suivent doivent être respectés (voyez les Figures 1 et 4) :

Du bas du radiateur au plancher - 6" (1 828 mm).

Des côtés du radiateur à un mur adjacent - 4" (102 mm).

Du haut du radiateur au plafond en cloison sèche - 4" (102 mm).

Du haut du radiateur au plafond en vinyle moulé ou suspendu - 6" (152 mm)

Tableau 1

WATTS	EXPANSION MAX. PERMISE	DISTANCE ENTRE EM-PLACEMENTS (ENTRAXE)
450	1/8" (4 mm)	27,75" (705 mm)
600	1/4" (7 mm)	40,75" (1,035 mm)
750	1/2" (13 mm)	52,75" (1,340 mm)
900	3/4" (19 mm)	64,75" (1,645 mm)
1050	7/8" (23 mm)	76,75" (1,949 mm)
1200	1-1/8" (29 mm)	87,75" (2,229 mm)
1500	1-3/8" (35 mm)	111,75" (2,838 mm)
1800	1-1/2" (38 mm)	125,75" (3,194 mm)

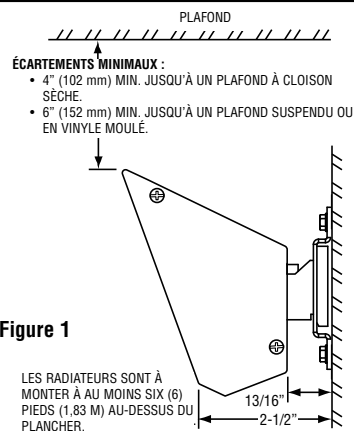


Figure 1

LES RADIATEURS SONT À MONTER À AU MOINS SIX (6) PIEDS (1,83 M) AU-DESSUS DU PLANCHER.

## GÉNÉRALITÉS

Ce radiateur en corniche est conçu pour fournir des années de fonctionnement sans souci comme source de chaleur auxiliaire, pour du chauffage de confort dans des applications résidentielles. Les radiateurs en corniche doivent être thermostatiquement contrôlés pour un fonctionnement efficace et sûr. Il n'est pas fourni de thermostat avec ce radiateur. Les radiateurs en corniche peuvent être connectés à des thermostats unipolaires ou bipolaires commandant la tension secteur qui pourront supporter les besoins en charge électrique. Voyez **Accessoires** en page 5.

**En cas d'installation de 2 radiateurs ou plus sur un mur :**

## ATTENTION ⚠

LE RADIATEUR DOIT ÊTRE MONTÉ À AU MOINS 6' (182,8 CM) AU-DESSUS DU PLANCHER POUR ÉVITER UN CONTACT ACCIDENTEL.

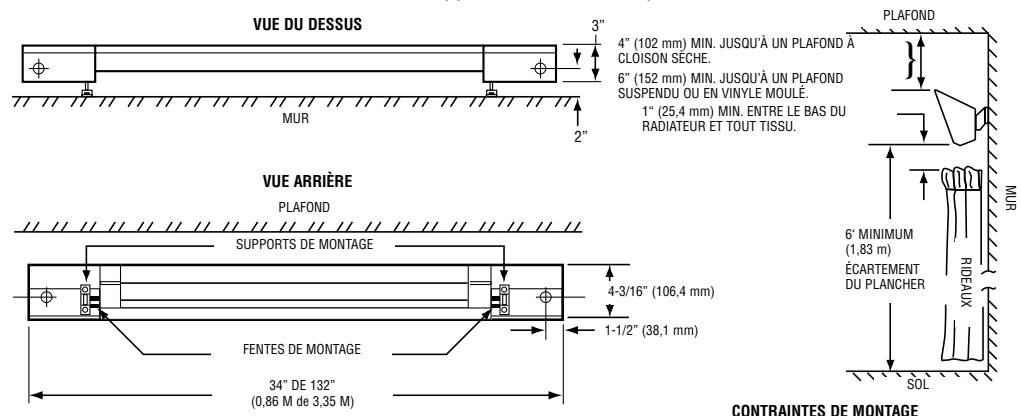
- Montez les radiateurs en laissant un espace adéquat entre eux comme c'est indiqué au Tableau 1.
- Installez une plaque de raccordement 918IR-SP-W optionnelle (si vous le souhaitez) en suivant les instructions données avec.

Quand vous montez des radiateurs bout à bout ajoutez la distance d'expansion maximale permise pour chaque radiateur et laissez cet intervalle entre les extrémités des radiateurs côte à côte (Voyez le Tableau 1).

## MONTAGE DU RADIATEUR

**Pour les radiateurs de 450 et 1 200 Watts :**

- Sélectionnez la distance de montage correcte depuis le matériau de plafond à la Figure 1. En utilisant le Tableau 1 déterminez la distance de centre à centre des supports muraux d'extrémités pour le modèle (puissance) concerné par le montage. Divisez cette valeur par 2 pour déterminer l'emplacement approprié où sera monté le support mural central. Marquez discrètement ces emplacements sur le mur qui sera porteur. Localisez un poteau mural au plus près du marquage de support mural central. Utilisez ce poteau comme emplacement pour le support (en négligeant le marquage d'origine porté précédemment). Assemblez les supports muraux d'extrémités comme c'est montré en Figure 3.
- Utilisez le gabarit (fourni), alignez le haut du gabarit avec le plafond et le centre des trous déjà percés avec les marquages pour supports sur le mur. En choisissant les trous d'emplacement de supports appropriés (extrémité ou centre), marquez les emplacements d'avant-trous de fixation en utilisant les trous déjà percés fournis sur le gabarit. Avec les fixations fournies, montez les supports muraux d'extrémité assemblés et le support mural central sur le mur. En utilisant un mètre ruban, déterminez la distance entre le centre (fente) du support mural d'extrémité de gauche et le crochet du support mural central. Ajoutez 3-5/8 pouces (92 mm) à cette valeur et enregistrez-la pour l'emplacement du support mural central sur le radiateur en corniche.
- Posez le radiateur en corniche face en bas sur une surface plane avec protection. En utilisant la valeur enregistrée à l'étape 2, mesurez cette distance depuis la gauche du radiateur et marquez cet endroit sur la surface du dos de panneau. Glissez le support mural central sur la position marquée sur le panneau, en alignant le centre du support avec cette marque.



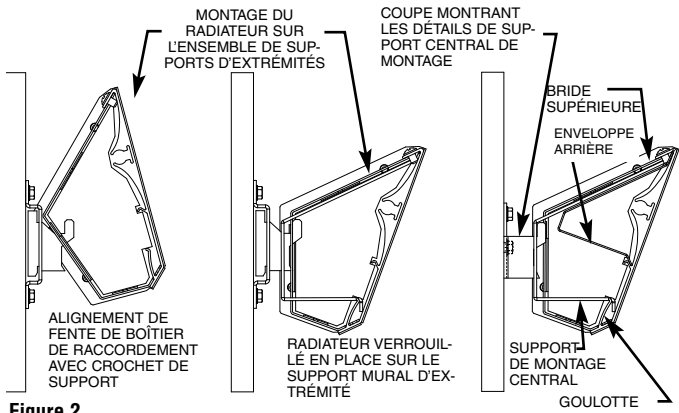


Figure 2

4. Pour monter le radiateur en corniche, accrochez son support central sur le support mural central en basculant le radiateur en arrière et en permettant que la fente supérieure tombe dans le crochet du support, comme en Figure 2. Fixez les boîtiers de raccordement sur les supports muraux d'extrémités de façon similaire. Ramenez le radiateur en corniche vers l'avant pour le verrouiller en place.

#### Pour les radiateurs de 1 500 et 1 800 Watts :

Les radiateurs en corniche de 1 500 et 1 800 watts nécessitent le soutien additionnel de deux supports muraux centraux du fait de leur longueur importante. Les étapes pour le montage sont similaires à celles pour les radiateurs de 450 et 1 200 watts, avec les exceptions suivantes :

1. Une fois que l'emplacement approximatif du milieu entre les supports muraux d'extrémité a été déterminé, mesurez 30 pouces (762 mm) de chaque côté de ce point pour déterminer la position approximative des deux supports muraux centraux. Repérez un poteau mural au plus près de chaque marquage. Utilisez ces poteaux muraux pour y situer les deux emplacements de supports muraux centraux (oubliez les emplacements d'origine à 30 pouces de chaque côté).
2. En utilisant le gabarit fourni, alignez le haut du gabarit avec le plafond et le centre des trous déjà percés avec les marquages pour supports sur le mur. En choisissant les trous d'emplacement de supports appropriés (extrémité ou centre), marquez les emplacements d'avant-trous de fixation en utilisant les trous déjà percés fournis sur le gabarit. Avec les fixations fournies, montez les supports muraux d'extrémité assemblés et le support mural central sur le mur. En utilisant un mètre ruban, déterminez la distance entre le centre (fente) du support mural d'extrémité de gauche et le crochet du support mural central. Ajoutez 3-5/8 pouces (92 mm) à cette valeur et enregistrez-la pour l'emplacement du support mural central sur le radiateur en corniche. En utilisant un mètre ruban, déterminez la distance entre le centre (fente) du support mural d'extrémité de gauche et le crochet du support mural central. Ajoutez 3-5/8 pouces (92 mm) à cette valeur et enregistrez-la pour l'emplacement du support mural central sur le radiateur en corniche. Posez le radiateur en corniche face en bas sur une surface plane avec protection. En utilisant la valeur enregistrée à l'étape 2, mesurez cette distance depuis la gauche du radiateur et marquez cet endroit sur la surface du dos de panneau. En utilisant la valeur enregistrée à l'étape 2, mesurez cette distance depuis la droite du radiateur et marquez cet endroit sur la surface du dos de panneau. Glissez le support mural central sur la position marquée sur le panneau, en alignant le centre des supports avec chaque marque.
4. Pour monter le radiateur en corniche, accrochez son support central sur les supports muraux centraux en basculant le radiateur en arrière et en permettant que la fente supérieure tombe dans le crochet du support, comme en Figure 2. Fixez les boîtiers de raccordement sur les supports muraux d'extrémités de façon similaire. Ramenez le radiateur en corniche vers l'avant pour le verrouiller en place.
5. Le radiateur en corniche peut être câblé de puis une extrémité ou l'autre. Installez un serre-câble (fourniture locale) dans l'une des pastilles à enfoncer situées au dos d'un des boîtiers de raccordement que vous comptez utiliser. Passez le câble secteur au travers du serre-câble, en laissant au moins 6" (152 mm) de fils dépasser à l'intérieur du boîtier arrière pour faciliter les raccordements. Ajoutez une boucle de câble d'au moins 2 pouces (5 cm) entre le mur et l'en-

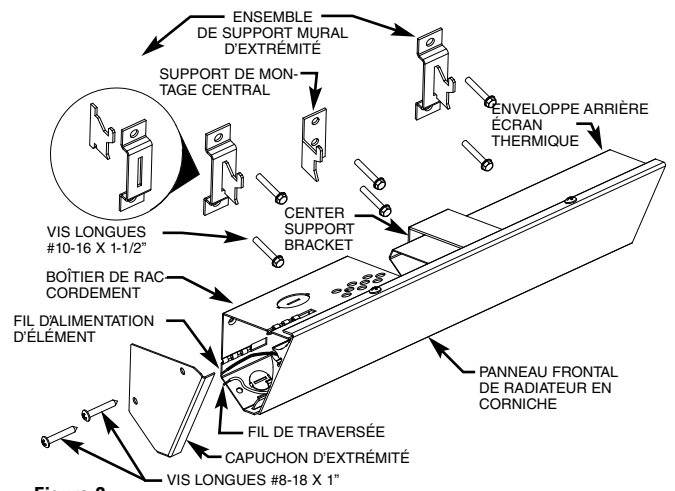


Figure 3

trée dans le serre-câble sur le boîtier de raccordement, pour permettre une expansion du radiateur.

6. Référez-vous aux schémas de câblage de la page suivante.
7. Fixez les capuchons d'extrémité (qui se trouvent dans le sac de pièces) comme c'est montré en Figure 3.

#### INSTALLATION À UN ANGLE DE MUR

Les radiateurs doivent être placés de telle sorte que chacun soit à 4 pouces (102 mm) du mur de côté. (Voyez la Figure 4).

## INSTRUCTIONS D'UTILISATION

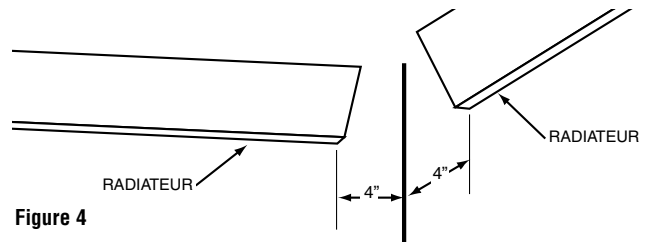


Figure 4

Les radiateurs sont prévus pour être contrôlés par un thermostat distant à montage mural. Ce thermostat doit être placé dans la même pièce sur une cloison latérale. Il doit aussi se trouver à cinq pieds (environ 1,50 m) au-dessus du plancher, mais pas directement en-dessous du radiateur.

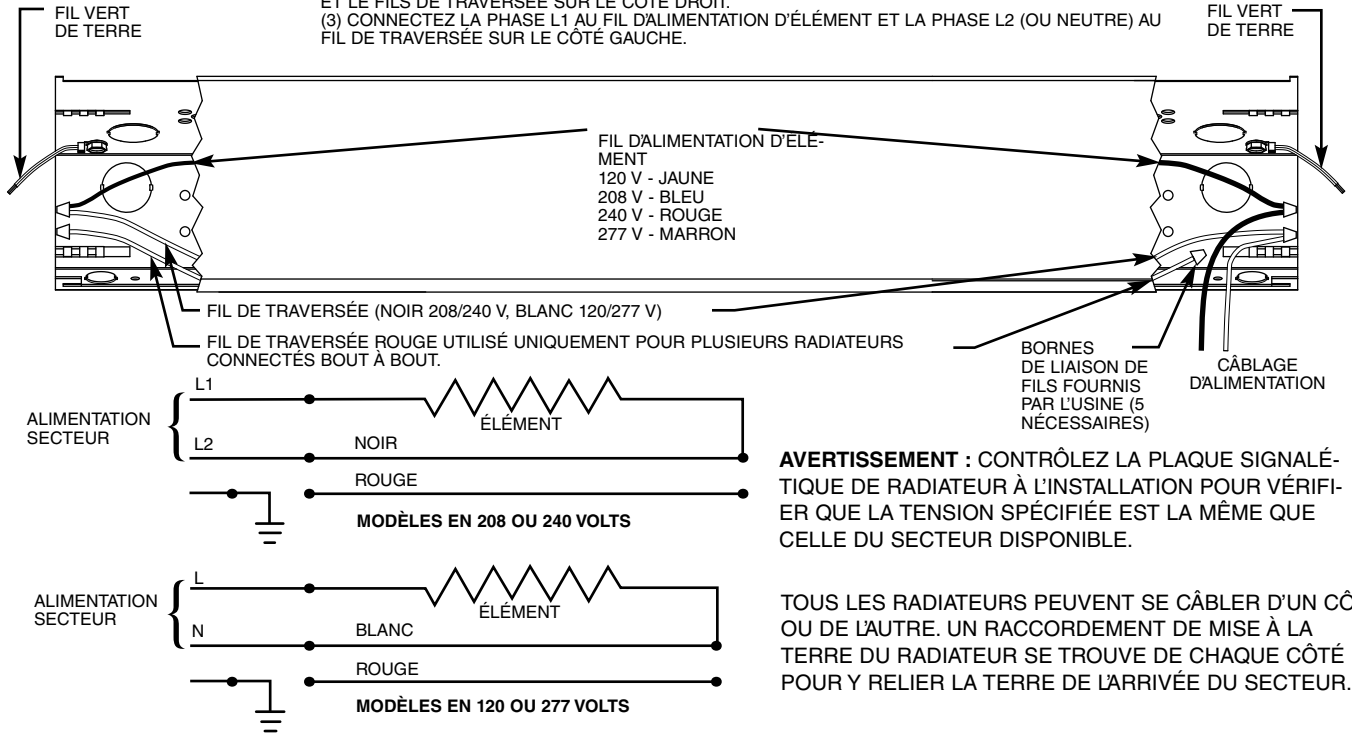
1. Le radiateur doit être correctement installé avant d'être mis en marche.
2. Mettez le radiateur en marche (ON) au panneau de commande principal.
3. Là où c'est applicable, référez-vous aux instructions d'accessoires de contrôle en ce qui concerne le bon fonctionnement des accessoires ou contrôles utilisés avec le radiateur.

**REMARQUE :** Pendant un certain temps après la mise en marche des radiateurs, le propriétaire peut déceler une nouvelle odeur qui s'en dégage. C'est prévisible sur une installation neuve et le phénomène va cesser après environ 24 heures de fonctionnement.

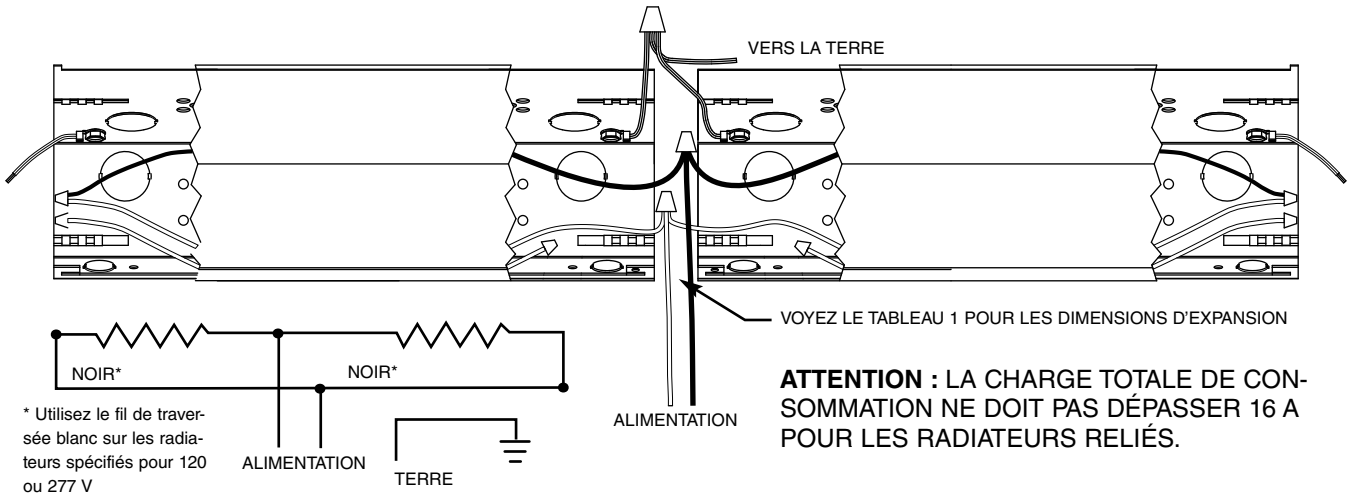
**REMARQUE :** Pour obtenir les meilleurs résultats, le radiateur doit rester en marche (ON) en permanence durant la saison de chauffage, du fait que le thermostat quand il est bien réglé maintiendra la température désirée.

## CÂBLAGE D'UN SEUL RADIATEUR – ALIMENTATION AU CENTRE

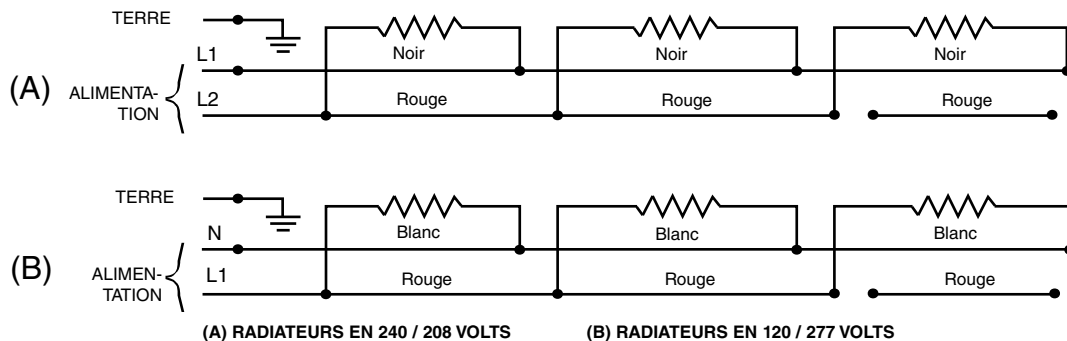
CÂBLAGE SUR SITE DU CÔTÉ DROIT MONTRÉ. POUR CÂBLER DU CÔTÉ GAUCHE :  
 (1) SÉPAREZ LE FIL D'ÉLÉMENT DU FIL DE TRAVERSÉE SUR LE CÔTÉ GAUCHE :  
 (2) EN UTILISANT UNE BORNE DE LIAISON DE FILS, BRANCHEZ ENSEMBLE LE FIL D'ALIMENTATION ET LE FILS DE TRAVERSÉE SUR LE CÔTÉ DROIT.  
 (3) CONNECTEZ LA PHASE L1 AU FIL D'ALIMENTATION D'ÉLÉMENT ET LA PHASE L2 (OU NEUTRE) AU FIL DE TRAVERSÉE SUR LE CÔTÉ GAUCHE.



## CÂBLAGE DE DEUX RADIATEURS – ALIMENTATION AU CENTRE



## CÂBLAGE DE DEUX RADIATEURS OU PLUS – CÂBLAGE EN BOUT



(A) RADIATEURS EN 240 / 208 VOLTS

(B) RADIATEURS EN 120 / 277 VOLTS

POUR ASSURER UNE CONTINUITÉ DE TERRE ENTRE DES RADIATEURS ADJACENTS, UTILISEZ LE FIL DE TERRE FOURNI. VOYEZ LES REMARQUES QUI PRÉCÈDENT SUR LE CÂBLAGE DE DEUX RADIATEURS AVEC ALIMENTATION AU CENTRE.

Figure 5. Câblage de radiateur



# INSTRUCTIONS D'ENTRETIEN

Il est important de garder propre ce radiateur. Nettoyez votre appareil de chauffage au moins une fois par an ou au besoin. Votre radiateur vous fournira des années de bon service et de confort avec juste un minimum de soins. Pour assurer son fonctionnement efficace, suivez les instructions simples ci-dessous :

## AVERTISSEMENT

TOUTE INTERVENTION DE SERVICE AU-DELÀ D'UN SIMPLE NETTOYAGE, QUI NÉCESSITE UN DÉMONTAGE, DEVRA ÊTRE RÉALISÉE PAR DU PERSONNEL DE SERVICE QUALIFIÉ.

## AVERTISSEMENT

POUR RÉDUIRE LE RISQUE DE DÉPART D'INCENDIE ET DE COM-MOTION ÉLECTRIQUE OU DE BLESSURE, DÉBRANCHEZ TOUTE ALIMENTATION ÉLECTRIQUE ALLANT AU RADIATEUR EN AMONT AU PANNEAU DE SERVICE, ET VÉRIFIEZ QUE L'ÉLÉMENT DE CHAUFFE EST FROID AVANT D'INTERVENIR POUR DU SERVICE OU DE L'ENTRETIEN.

### Instructions de nettoyage par l'utilisateur :

1. Une fois que le radiateur est froid, vous pouvez utiliser un aspirateur avec son accessoire brosse pour éliminer la poussière et les peluches des surfaces extérieures du radiateur, y compris les ouvertures de la grille.
2. Avec un chiffon humide, enlevez poussière et peluche de la grille et des surfaces extérieures.
3. Remettez le radiateur sous tension et vérifiez son bon fonctionnement.

### Pièces de rechange

Les éléments et les extrusions en aluminium ne sont pas remplaçables. Du fait de la conception intrinsèque du radiateur en corniche, nous ne sommes pas à même de fournir individuellement des éléments, des extrusions, des fils, des écrans arrière et des boîtiers de raccordement en pièces de rechange, cependant le kit de pièces suivant est disponible

Kit de pièces 1 - N° RIK-918MT-W – pour radiateurs de corniche bancs.

Le kit contient des capuchons d'extrémité, des supports d'extrémités et de centre, un gabarit et de la visserie de montage.

### Accessoires optionnels

**918IR-T-Z** Thermostat intégré : Plage de 45-90°F (7-32 °C) avec blocage en état positif.

**918IR-SP-W** Ensemble de plaque de raccordement.

## GARANTIE LIMITÉE

Tous les produits fabriqués par Indeeco sont garantis contre les défauts de fabrication et de matériau pendant une année à compter de leur date d'achat, sauf les éléments chauffants, lesquels sont garantis contre les défauts de fabrication et de matériau pendant 5 ans à compter de la date d'achat. Cette garantie ne couvre pas les dommages causés par un accident, une mauvaise utilisation ou une altération et ne s'applique pas si la tension d'alimentation dépasse de 5% ou plus celle de la plaque signalétique, si l'équipement est mal installé, mal câblé ou mal entretenu, contrairement aux instructions d'installation et d'utilisation du produit. Cette garantie ne s'applique pas aux produits remis à neuf. Toutes les réclamations sous garantie doivent être accompagnées d'une preuve de date d'achat.

Le client doit être responsable de tous les coûts occasionnés pour le démontage ou la réinstallation des produits, incluant les coûts de main-d'oeuvre, et les coûts d'expédition pour renvoyer les produits au centre de service de Indeeco. Dans le cadre des limitations de cette garantie, les unités ne fonctionnant pas doivent être renvoyées au centre de service agréé Indeeco le plus proche, ou directe au centre de service de Indeeco, où ils seront réparés ou remplacés, à notre choix, sans frais pour vous avec le port de retour payé par Indeeco. Il est convenu que cette réparation ou ce remplacement sera le seul remède à attendre de Indeeco.

LES GARANTIES QUI PRÉCÈDENT TIENNENT LIEU DE TOUTES LES AUTRES GARANTIES, EXPLICITES OU IMPLICITES, ET TOUTES LES GARANTIES IMPLICITES DE VALEUR MARCHANDE ET D'ADÉQUATION POUR UNE FINALITÉ SPÉCIFIQUE QUI EXCÉDERAIENT LES DISPOSITIONS DE GARANTIE PRÉCÉDEMMENT ÉNONCÉES SONT ICI REJETÉES ET EXCLUES DE CET ACCORD. INDEECO NE SERA PAS TENU POUR RESPONSABLE DES DOMMAGES CONSÉCUTIFS SURVENANT EN RELATION AVEC LE PRODUIT, QU'ILS SOIENT À BASE DE NÉGLIGENCE, TORT, RESPONSABILITÉ PURE OU CONTRACTUELLE.

Certains États ne permettent pas l'exclusion ou la limitation des dommages consécutifs ou annexes, de ce fait l'exclusion ou la limitation qui précède peut ne pas s'appliquer à votre cas. Cette garantie vous donne des droits légaux spécifiques, qui varient d'un État à un autre. Pour obtenir l'adresse de votre centre de service agréé le plus proche, contactez Indeeco à St Louis, MO, USA, au 314-644-4300. Toute marchandise retournée à l'usine doit être accompagnée d'une autorisation de renvoi et d'une étiquette d'identification pour le service, ces deux documents étant disponibles auprès de Indeeco. En demandant une autorisation de retour, fournissez tous les numéros de catalogue indiqués sur les produits.

### COMMENT OBTENIR DU SERVICE ET DES PIÈCES DANS LE CADRE DE LA GARANTIE ET DES INFORMATIONS GÉNÉRALES

- |  |   |
|--|---|
| 1. Service ou pièces sous garantie         | <b>314-644-4300</b>   |
| 2. Informations générales sur les produits | <b><a href="http://www.indeeco.com">www.indeeco.com</a></b> |

**Remarque :** Pour obtenir le service sous garantie vous devez toujours avoir préparé:

1. Référence de modèle du produit
2. Date de fabrication
3. Numéro ou description de pièce



St Louis, MO 63144 USA