

Installation Instructions

CAT. NO.	ACCESSORY	ELECTRICAL RATING	REMARKS
FIT-500T-Z	Single Pole Internal Thermostat; Temp Range: 40°F - 95°F	25A; 120-277 VAC Res. 720 Pilot Duty	—
FIR-24R-Z	Control Relay; 24 VAC Holding Coil	Inductive Amps: 7.0 @ 120-277 VAC. Resistive Amps: 25 @ 120-277 VAC.	Time Delay: 45-60 sec.; to close when energized.
FIR-R12-Z	Control Relay; 120 VAC Holding Coil	Inductive Amps: 7.0 @ 120-277 VAC. Resistive Amps: 25 @ 120-277 VAC.	Time Delay: 45-60 sec.; to close when energized.
FIS-DS-Z	Supply Power Disconnect Switch	30A (MAX Load 24A) 208 - 600 VAC, 3 Pole, 10	—
FIR-TR4-Z	Transformer and Relay	Transformer: 208/240 VAC primary; 24 VAC secondary. - Relay: 24 VAC Holding Coil	Time Delay: 45-60 sec.; to close when energized.
FIR-TR7-Z	Transformer and Relay	Transformer: 277 VAC primary; 24 VAC secondary. - Relay: 24 VAC Holding Coil	Time Delay: 45-60 sec.; to close when energized.
TIK-SSP-Z	Digital Thermostat	0.5A; 24 VAC; Max Load=89 VA	—



WARNING

THIS INSTRUCTION SHEET CONTAINS VITAL INFORMATION FOR THE PROPER INSTALLATION, USE AND EFFICIENT OPERATION OF THE HEATER. CAREFULLY READ THE MANUAL BEFORE INSTALLATION, OPERATION, OR CLEANING OF THE HEATER. FAILURE TO ADHERE TO THE INSTRUCTIONS COULD RESULT IN FIRE, ELECTRIC SHOCK, DEATH, SERIOUS PERSONAL INJURY OR PROPERTY DAMAGE.



WARNING

MAKE SURE ALL POWER IS DISCONNECTED AT SUPPLY BEFORE INSTALLING.

INSTALLATION OF POWER DISCONNECT SWITCH (DS)

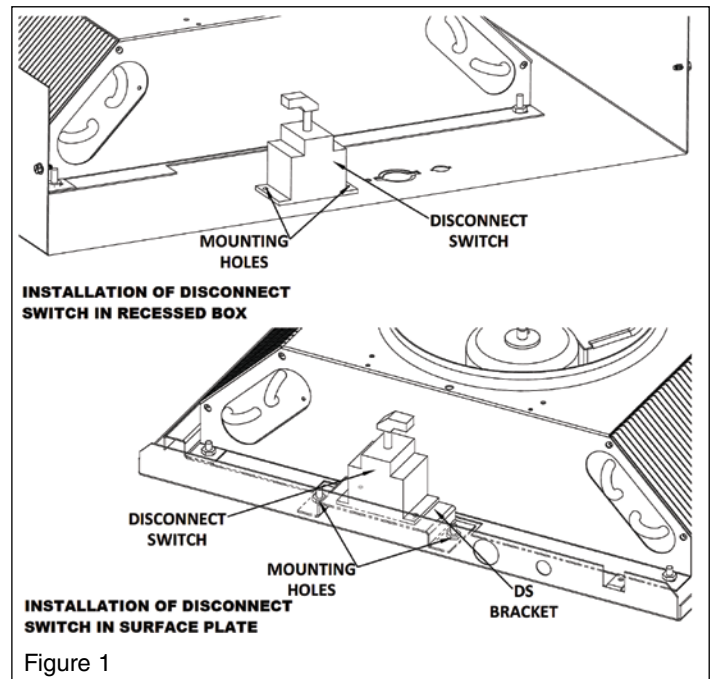
Surface Mount and Recessed Mount Except T-Bar Mounting:

1. Install disconnect switch in the surface mounting plate or recess box as shown in the heater installation instructions and Figure 1 with the terminals marked L1, L2 and L3 toward the knockout. Disconnect switch should be mounted on opposite side of the heater from the contactor. See Figure 1.
2. Install field wiring to the disconnect switch terminals marked L1 and L2 (and L3 for three phase).
3. Install heater as shown in the heater installation instructions.
4. Connect stripped wires from the contactor to the disconnect switch as follows. Black wire to T1 and Red wire to T2 (and White wire to T3 for three phase). See Wiring Diagram, Figure 3.
5. Install raceway over wires going from the contactor to the disconnect switch. See heater installation instructions.

6. Turn disconnect switch clockwise to energize circuit.

T-Bar Mounting:

1. Install disconnect switch in the recess box as shown in the heater installation instructions Figure 1 with the terminals marked L1, L2, and L3 toward the knockout. Disconnect switch should be mounted on opposite side of the heater from the contactor. See Figure 1.
2. Install field wiring to the disconnect switch terminals marked L1 and L2 (and L3 for three phase).



SAVE THESE INSTRUCTIONS

3. Install heater as shown in the heater installation instructions.
4. Connect stripped wires from the contactor to the disconnect switch as follows: Black wire to T1 and Red wire to T2 (and White wire to T3 for three phase). See Wiring Diagram, Figure 3.
5. Install Install raceway over wires going from the contactor to the disconnect switch. See heater installation instructions.
6. Turn disconnect switch clockwise to energize circuit.

CAUTION

TO AVOID POSSIBLE ELECTRICAL SHOCK, BE SURE ELECTRICITY IS TURNED OFF AT MAIN SWITCH BEFORE WIRING. ALL WIRING MUST BE IN ACCORDANCE WITH THE NATIONAL ELECTRICAL CODE REQUIREMENTS. ALL CONTROL WIRING MUST BE NEC CLASS 1 RATED 90° MIN.

INSTALLATION OF INTERNAL THERMOSTAT (FIT-500T-Z)

1. Install the Internal Thermostat in the heater as shown in Figure 2.
2. Connect heater white wires to "L2" and "cycle" terminals on the thermostat as shown in the wiring diagram, Figure 3.

NOTE: Push connectors securely onto the terminals to assure proper connection.

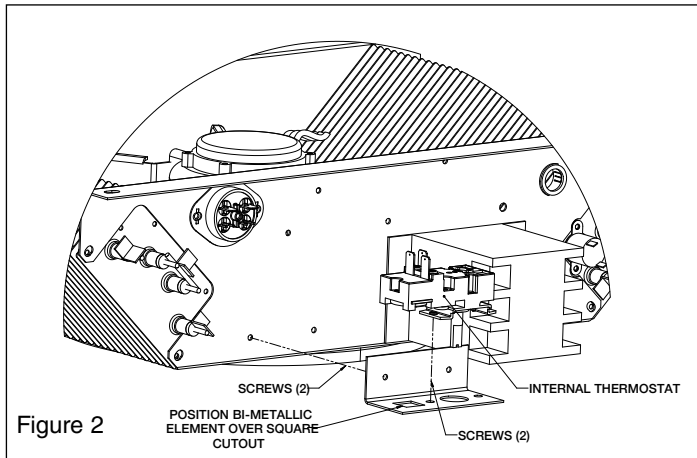


Figure 2

INSTALLATION OF CONTROL RELAY (FIR-24R-Z OR FIR-R12-Z)

1. Install the Control Relay as shown in Figure 4.

NOTE: Be sure that the tab on the control relay plate is securely engaged in the large hole in the mounting bracket.

2. To wire the relay, refer to the wiring diagram, Figure 5, and proceed as follows:

- a. Wire the internal control circuit by connecting the heater WHITE wires to the terminals at the top of the relay.

NOTE: The control relay requires externally supplied voltage to operate: 24 VAC FIR-24R-Z and 120 VAC for FIR-R12-Z.

- b. Wire the external control circuit by connecting two field control wires (of proper voltage) to the two RED wires from the relay base, using two wire nuts (provided).

3. For night setback operation, refer to wiring diagram, Figure 6.

NOTE: The control relay must be energized for day operation.

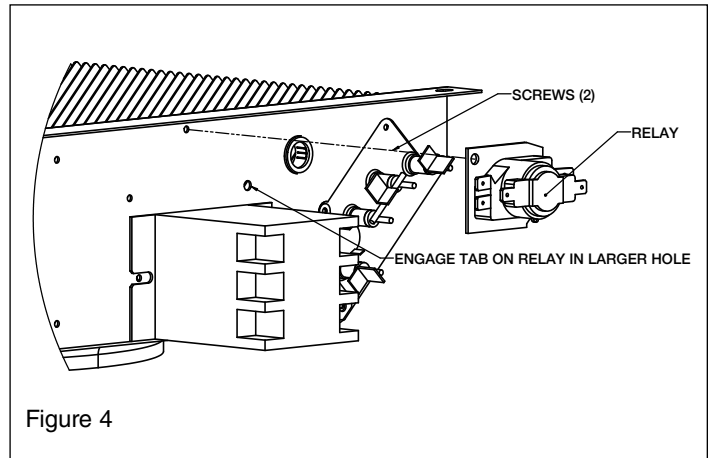


Figure 4

WIRING DIAGRAM FOR THERMOSTAT

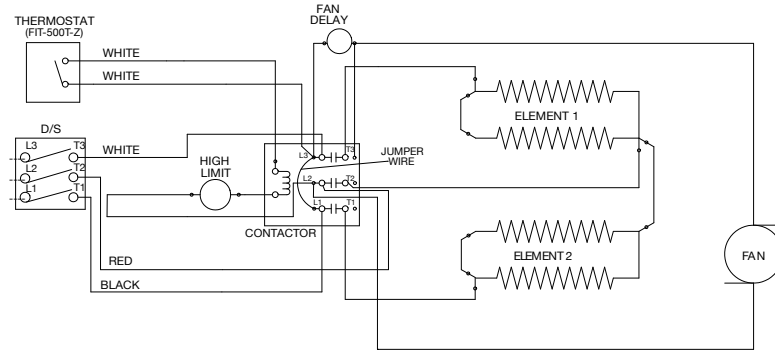


Figure 3

WIRING DIAGRAM FOR CONTROL RELAY (FIR-24R-Z OR FIR-R12-Z)

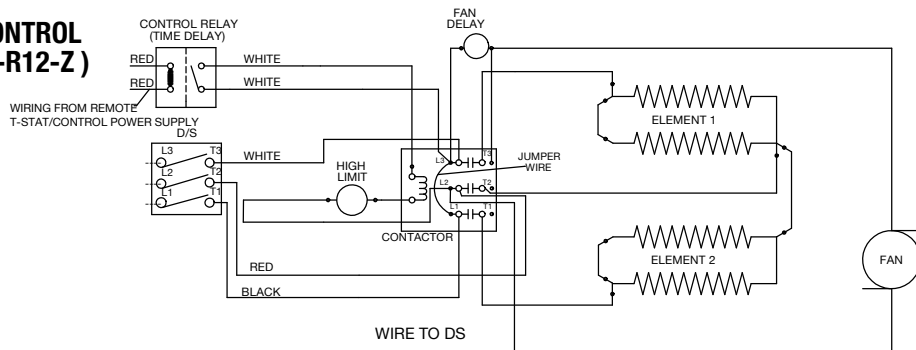


Figure 5

INSTALLATION OF TRANSFORMER AND RELAY WITH ANALOG THERMOSTAT (FIR-TR4-Z OR FIR-TR7-Z)

1. Install the Transformer and Relay as shown in Figure 7.

NOTE: Be sure that the tab on the relay plate is securely engaged in the large hole in the mounting bracket.

2. To wire the transformer and relay, refer to the wiring diagram, Figure 8, and proceed as follows:
 - a. Connect the heater WHITE terminated wires to the terminals at the top of the relay.
 - b. Connect one YELLOW wire (secondary) from the transformer to one of the terminals on the relay base.
 - c. Connect the RED wire from the relay base (provided) and the other YELLOW wire from the transformer to the remote low voltage thermostat wires.
 - d. (For FIR-TR4-Z only) - connect the WHITE wire (primary) from the transformer to the contactor L1 terminal. Connect the RED wire (208V) or the BLACK wire (240V) from the transformer to terminal L2 of the contactor. Clip off and tape the end of the unused transformer wire.
 - e. (For FIR-TR7-Z only) - Connect the BLACK wire (primary) from the transformer to the contactor L1 terminal. Connect the VIOLET wire (277V) from the transformer to terminal L2 of contactor.

3. For night setback operation, refer to wiring diagram, Figure 9.

NOTE: The control relay must be energized for day operation.

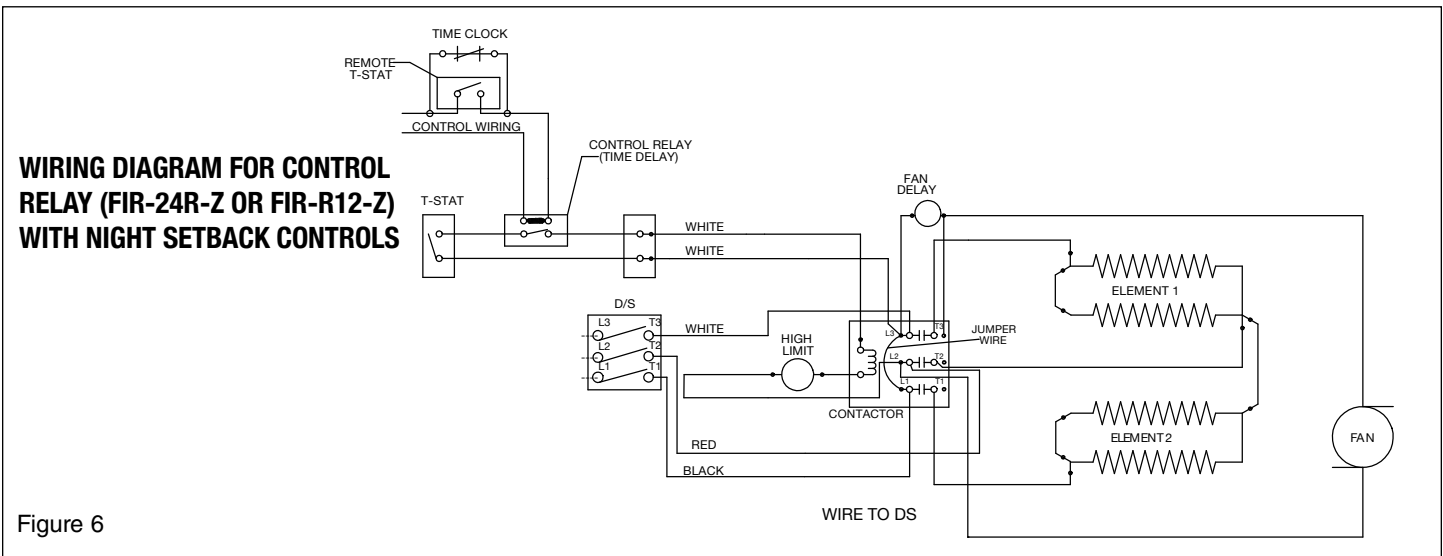
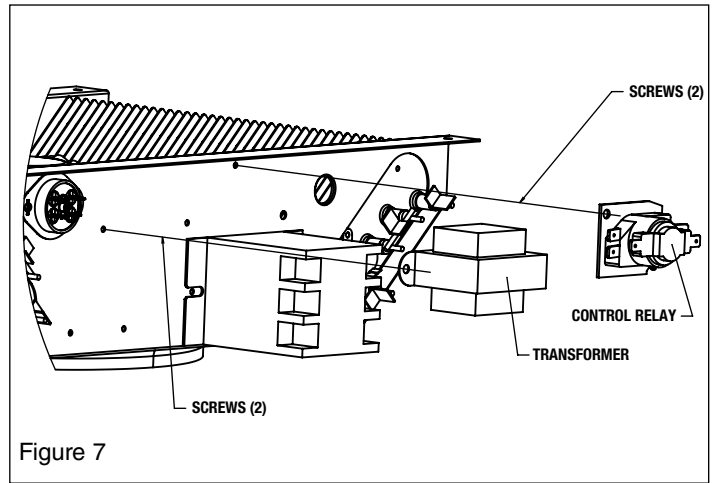


Figure 6

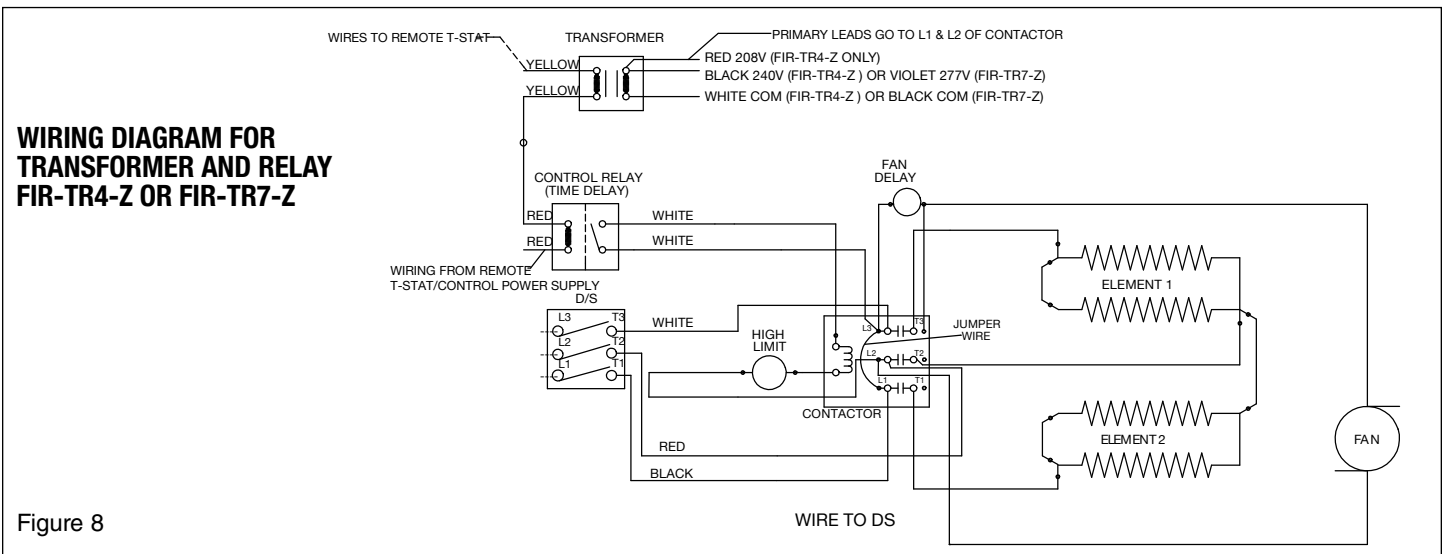


Figure 8

WIRING DIAGRAM FOR TRANSFORMER AND RELAY WITH NIGHT SETBACK CONTROLS

**NIGHT SET-BACK
CONTROLS
(BY OTHERS)**

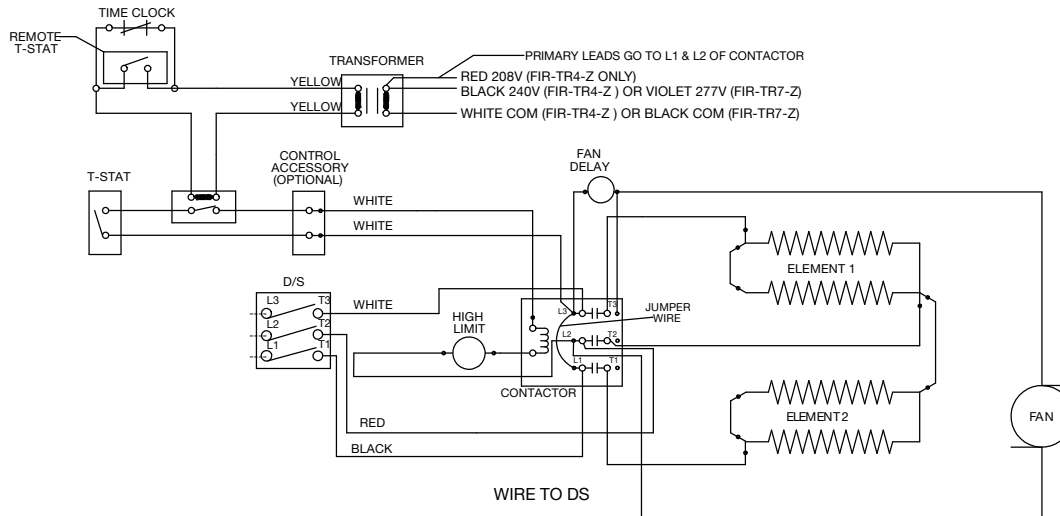


Figure 9

WIRING DIAGRAM FOR TRANSFORMER AND RELAY WITH DIGITAL THERMOSTAT

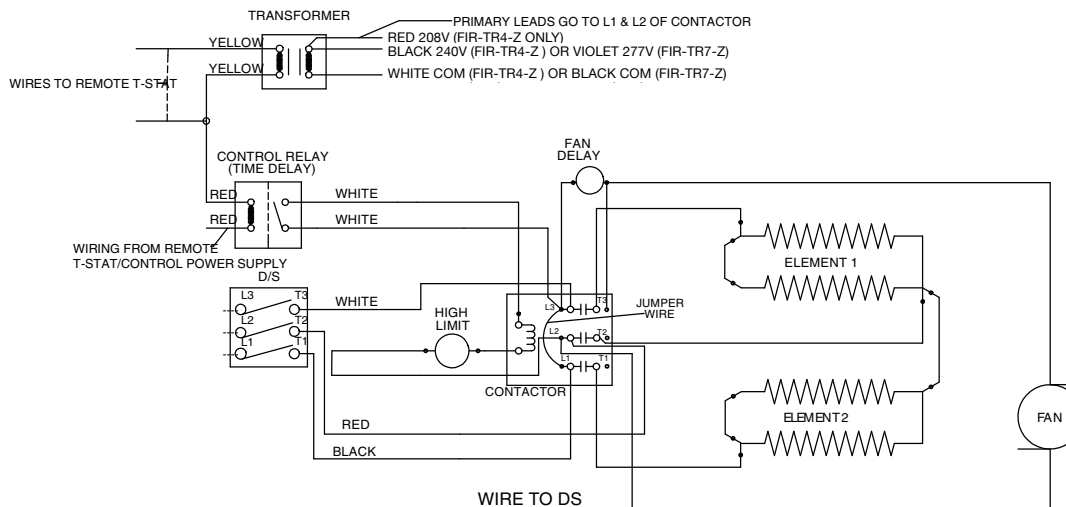


Figure 10

INSTALLATION OF DIGITAL THERMOSTAT (TIK-SSP-Z)

1. Install the Transformer and Relay (FIR-TR4-Z OR FIR-TR7-Z) as shown in Figure 7.

NOTE: Be sure that the tab on the relay plate is securely engaged in the large hole in the mounting bracket.

2. Strip the insulation and terminals from the secondary leads (yellow wires) of the transformer, leaving 0.25 in of exposed wire.
3. To wire the transformer, relay, and thermostat, refer to the wiring diagram, Figure 10, and proceed as follows:
 - a. Connect the heater WHITE wires to the terminals at the top of the relay.
 - b. (For FIR-TR4-Z only) - Connect the WHITE wire (primary) from the transformer to the contactor L1 terminal. Connect the RED wire (208V) or the BLACK wire (240V) from the transformer to terminal L2 of the contactor. Clip off and tape the end of the unused transformer wire.
 - c. (For FIR-TR7-Z only) - Connect the BLACK wire (primary) from the transformer to the contactor L1 terminal. Connect the VIOLET wire (277V) from the transformer to terminal L2 of the contactor.

- d. Remove the back from the SSP Digital Thermostat.

e. Connect one YELLOW (secondary) wire from the transformer to PIN 1 on the Thermostat. It may be required to splice this wire with an 18 AWG wire of appropriate length to achieve desired position for the Thermostat.

f. Use an 18 AWG wire of appropriate length to connect to PIN 5 on the Thermostat. This will be referred to as the COM wire.

g. Connect the provided RED wire to one terminal at the bottom of the relay using the Insulated Quick Connect Terminal.

h. Splice together the second YELLOW wire from the transformer with the COM wire and the RED wire via a wire nut. (Refer to Figure 10).

i. Use an 18 AWG wire of appropriate length to connect to PIN 18 on the Thermostat. Connect the other end of the wire to the second RED wire at the base of the relay (provided).

CAUTION

**TRANSFORMER VOLTAGE MUST MATCH HEATER VOLTAGE
(INDICATED ON HEATER NAMEPLATE).**

LIMITED WARRANTY

All products manufactured by Indeeco are warranted against defects in workmanship and materials for one year from the date of purchase, except heating elements which are warranted against defects in workmanship and materials for five years from date of purchase. This warranty does not apply to damage from accident, misuse, or alteration; nor where the connected voltage is more than 5% above the nameplate voltage; nor to equipment improperly installed or wired or maintained in violation of the product's installation instructions. This warranty does not apply to refurbished products. All claims for warranty work must be accompanied by proof of the date of purchase.

The customer shall be responsible for all costs incurred in the removal or reinstallation of products, including labor costs, and shipping costs incurred to return products to Indeeco. Within the limitations of this warranty, inoperative units should be returned to Indeeco, and we will repair or replace, at our option, at no charge to you with return freight paid by Indeeco. It is agreed that such repair or replacement is the exclusive remedy available from Indeeco.

THE ABOVE WARRANTIES ARE IN LIEU OF ALL OTHER WARRANTIES EXPRESSED OR IMPLIED, AND ALL IMPLIED WARRANTIES OF MERCHANTABILITY AND FITNESS FOR A PARTICULAR PURPOSE WHICH EXCEED THE AFORESAID EXPRESSED WARRANTIES ARE HEREBY DISCLAIMED AND EXCLUDED FROM THIS AGREEMENT. Indeeco SHALL NOT BE LIABLE FOR CONSEQUENTIAL DAMAGES ARISING WITH RESPECT TO THE PRODUCT, WHETHER BASED UPON NEGLIGENCE, TORT, STRICT LIABILITY, OR CONTRACT.

Some states do not allow the exclusion or limitation of incidental or consequential damages, so the above exclusion or limitation may not apply to you. This warranty gives you specific legal rights, and you may have other rights which vary from state to state.

Contact Indeeco in St Louis, MO, at 314-644-4300. Merchandise returned to the factory must be accompanied by a return authorization and service identification tag, both available from Indeeco. When requesting return authorization, include all catalog numbers shown on the products.

HOW TO OBTAIN WARRANTY SERVICE AND WARRANTY PARTS PLUS GENERAL INFORMATION

- 1. Warranty Service or Parts **314-644-4300**
- 2. General Product Information **www.indeeco.com**

Note: When obtaining service always have the following:

- 1. Model number of the product
- 2. Date of manufacture
- 3. Part number or description



St Louis, MO 63144 USA

Instrucciones de instalación

N° CAT.	ACCESORIOS	CLASIFICACION ELECTRICA NOMINAL	NOTAS
FIT-500T-Z	Termostato interno unipolar; Interv. de temp.: 40°F - 95°F	Pilot Duty 720, de Res. de 25A, 120-277 VCA	—
FIR-24R-Z	Relé de control, bobina retenedora de 24 VCA	Amps. inducs: 7.0 @ 120 - 277 VAC. Amps. resist: 25 @ 120 - 277 VAC.	Demora: 45-60 seg.; cierra al activarse
FIR-R12-Z	Relé de control, bobina retenedora de 120 VCA	Amps. induc: 7.0 @ 120 - 277 VAC. Amps. resist: 24 @ 120 - 277 VAC.	Demora: 45-60 seg.; cierra al activarse
FIS-DS-Z	Interruptor desconectador de la potencia de alimentación	30A (MAC Load 24A) 208-600 VCA, tripolar, 1	—
FIR-TR4-Z	Transformador y relé	Transformador: primario: 208 -240 VCA; 24VCA secundario-24 VCA Relé Bobina de Sujeción	Demora: 45-60 seg.; cierra al activarse
FIR-TR7-Z	Transformador y relé	Transformador: primario: 277 VCA; 24 VCA secundario-24 VCA Relé Bobina de Sujeción	Demora: 45-60 seg.; cierra al activarse
TIK-SSP-Z	Termostato	0.5A; 24 VCA; Carga máxima=89 VA	—



ADVERTENCIA

ESTA HOJA DE INSTRUCCIONES CONTIENE INFORMACION VITAL PARA LA ADECUADA INSTALACION, USO Y FUNCIONAMIENTO EFICIENTE DEL CALENTADOR. LEA CUIDADOSAMENTE EL MANUAL ANTES DE INSTALAR, OPERAR O LIMPIAR EL CALENTADOR. EL NO ADHERIRSE A LAS INSTRUCCIONES PUEDE RESULTAR EN INCENDIO, CHOQUE ELECTRICO, MUERTE, LESIONES PERSONALES GRAVES O DAÑOS A LA PROPIEDAD.

INSTALACION DEL INTERRUPTOR DESCONECTADOR DE POTENCIA (DS)



ADVERTENCIA

ASEGURESE QUE TODA LA POTENCIA ESTE DESCONECTADA EN LA ALIMENTACION ANTES DE INSTALAR.

Montaje de superficie y montaje en la entrada excepto el montaje en barra en T:

1. Instale el interruptor desconectador en la placa de montaje de superficie o caja empotrada según se muestra en la instalación e instrucciones del calentador y en la Fig.1 con los terminales marcados L1, L2 y L3 hacia el orificio ciego.
2. Instale el cableado de campo a los terminales del interruptor desconectador marcados L1 y L2 (y L3 para trifásicos).
3. Instale el calefactor como se muestra en las instrucciones de instalación del calefactor.
4. Conecte los cables rayados del contactor al interruptor de la siguiente forma. El cable negro al T1 y el cable rojo al T2 (y el cable blanco al T3 si es trifásico). Ver el diagrama de cableado. Figura 3.
5. Instale el cablecanal sobre los cables que van desde el contactor hasta el interruptor. Ver las instrucciones de instalación del calefactor.

6. Para activar el circuito gire el interruptor desconectador en el sentido de las agujas del reloj.

Montaje de barra en T:

1. Instale el interruptor en la caja empotrable como se muestra en las instrucciones de instalación del calefactor y la Figura 1, con los terminales L1, L2 y L3 hacia el troquel. El interruptor debe instalarse del lado opuesto del contactor del calefactor. Ver Figura 1.
2. Instale el cableado de campo a los terminales del interruptor L1 y L2 (y L3 si es trifásico).

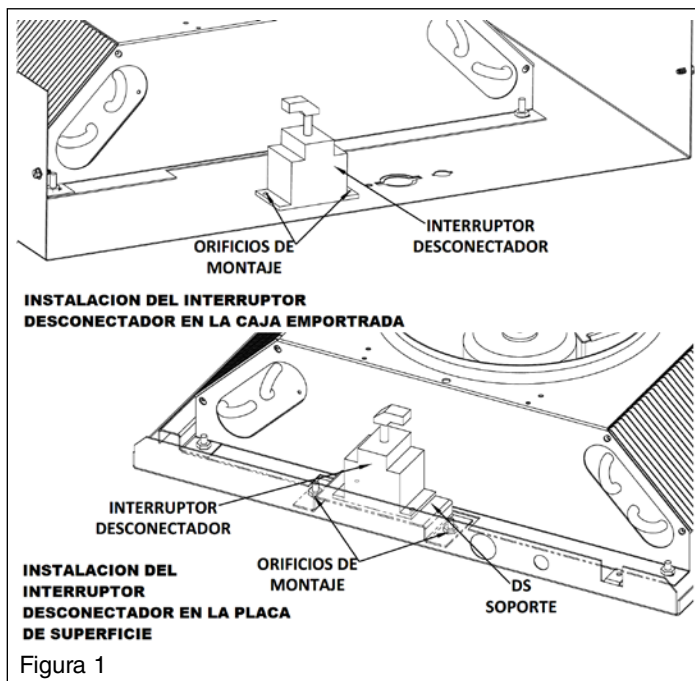


Figura 1

GUARDE ESTAS INSTRUCCIONES

3. Instale el calefactor como se muestra en las instrucciones de instalación del calefactor.
4. Conecte los cables rayados del contactor al interruptor de la siguiente forma. El cable negro al T1 y el cable rojo al T2 (y el cable blanco al T3 si es trifásico). Ver el diagrama de cableado. Figura 3.
5. Instale el cablecanal sobre los cables que van desde el contactor hasta el interruptor. Ver las instrucciones de instalación del calefactor.
6. Gire el interruptor desconectador en el sentido de las agujas del reloj para activar el circuito.

NOTA: Empuje firmemente los conectores sobre los terminales para asegurar una conexión correcta.

INSTALACION DEL RELE DE CONTROL (FIR-24R-Z O FIR-R12-Z)

1. Instale en Relé de Control según se muestra en al Figura 4.

NOTA: Asegúrese que la lengüeta en la placa de control del relé esté bien enganchada en el orificio grande en el soporte de montaje.

2. Para cablear el relé, refiérase al esquema eléctrico, Figura 5, y proceda así:



- a. Cablee el circuito interno de control conectando los cables BLANCOS del calentador a los terminales en el tope del relé.

NOTA: El relé de control requiere un voltaje alimentado exteriormente para operar: 24 VCA FIR-24R-Z y 120 VCA para FIR-R12-Z.

- b. Cablee el circuito externo de control conectando dos cables de control de campo (de voltaje adecuado) a los dos cables ROJOS de la base del relé, usando dos tuercas para cable (provistas).

3. Para una operación de "vuelta a cero" nocturna, refiérase al esquema eléctrico, Figura 6.

NOTA: El relé de control debe tener energía eléctrica para el funcionamiento diario.


PRECAUCION


ASEGURESE QUE LA ELECTRICIDAD ESTE DESCONECTADA EN EL INTERRUPTOR ANTES DE CABLEAR, PARA EVITAR UN POSIBLE CHOQUE ELECTRICO. TODO EL CABLEADO DEBE CUMPLIR CON LOS REQUERIMIENTOS DEL CODIGO ELECTRICO NACIONAL. TODO EL CABLEADO DE CONTROL DEBE SER NEC CLASE 1 CLASIFICADO A 90° MIN.

INSTALACION DEL TERMOSTATO INTERNO (FIT-500T-Z)

1. Instale el Termostato Interno en el calentador según se muestra en la Figura 2.
2. Conecte los cables blancos del calentador a los terminales "L2" y "cycle" ("ciclo") en el termostato según se muestra en el esquema eléctrico, Figura 3.

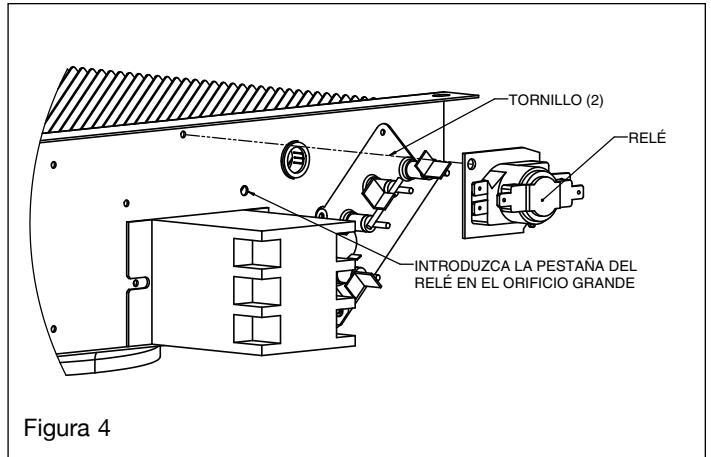
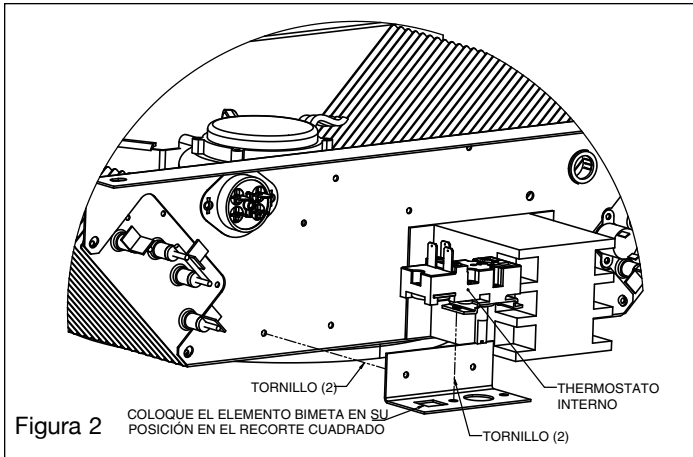


DIAGRAMA DE CABLEADO PARA TERMOSTATO

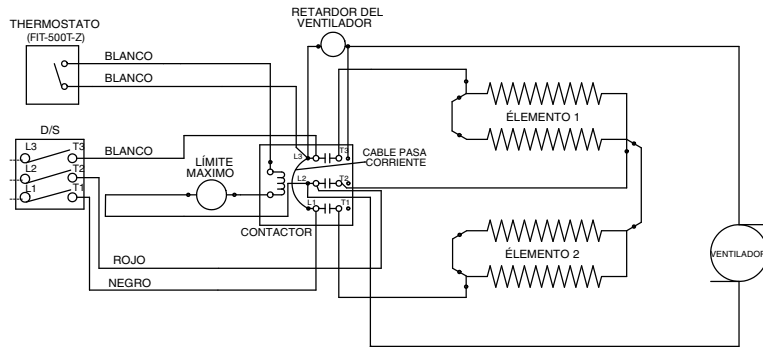


Figura 3

ESQUEMA ELECTRICO PARA EL RELE DE CONTROL (FIR-24R-Z OR FIR-R12-Z)

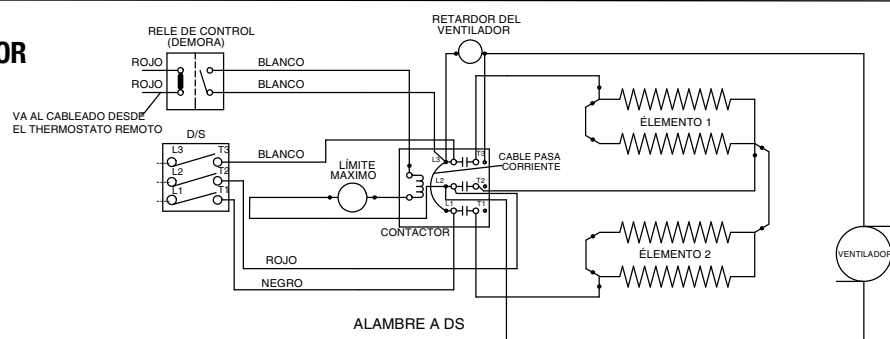


Figura 5

INSTALACIÓN DEL TRANSFORMADOR Y RELÉ CON UN TERMOSTATO ANALÓGICO (FIR-TR4-Z OR FIR-TR7-Z)

1. Instale el Transformador y el Relé según se muestra en la Figura 7.

NOTA: Asegúrese que la aleta de la placa del relé esté seguramente enganchada en el orificio grande en el soporte de montaje.

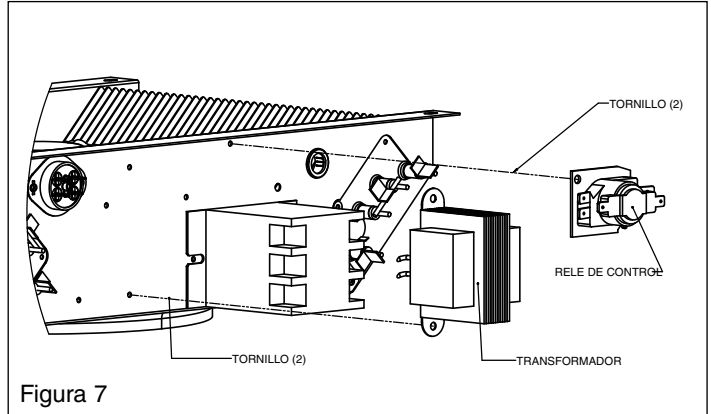
2. Para cablear el transformador y el relé, refiérase al diagrama de cableado, Figura 8, y proceda como sigue:
 - a. Conecte los cables BLANCOS del calefactor a los terminales de la parte superior del relé.
 - b. Conecte un cable AMARILLO (secundario) del transformador a uno de los terminales de la base del relé.
 - c. Conecte el cable ROJO de la base del relé (incluido) y el otro cable AMARILLO del transformador a los ables de baja tensión del termostato.
 - d. (Solo para FIR-TR4-Z) – conecte el cable BLANCO (principal) del transformador al terminal L1 del contactor. Conecte el cable ROJO (208V) o el cable NEGRO (240V) del transformador al terminal L2 del contactor. Enciente el extremo del cable del transformador no utilizado.
 - e. (Solo para FIR-TR7-Z) – conecte el cable NEGRO (principal) del transformador al terminal L1 del contactor. Conecte el cable VIOLETA (277V) del transformador al terminal L2 del contactor.

3. Para una operación de "vuelta a cero" nocturna, refiérase al esquema eléctrico, Figura 9.

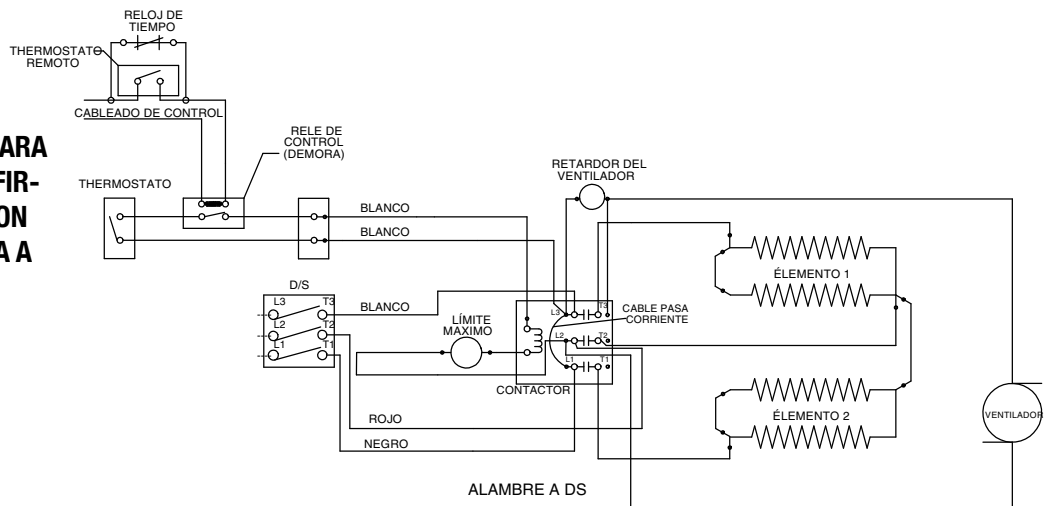
NOTA: El relé de control debe activarse para la operación diurna.

PRECAUCIÓN

EL VOLTAJE DEL TRANSFORMADOR DEBE CORRESPONDER CON EL VOLTAJE DEL CALENTADOR (INDICADO EN LA PLACA DE NOMBRE DEL CALENTADOR).



ESQUEMA ELECTRICO PARA EL RELE DE CONTROL (FIR-24R-Z OR FIR-R12-Z) CON CONTROLES DE "VUELTA A CERO" NOCTURNA



ESQUEMA ELECTRICO PARA EL TRANSFORMADOR Y EL RELE FIR-TR4-Z OR FIR-TR7-Z

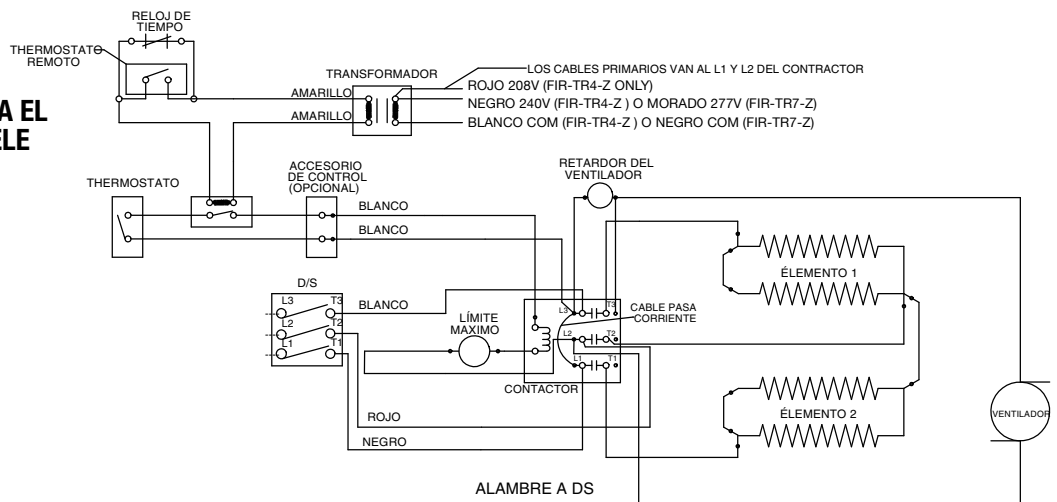


DIAGRAMA DE CABLEADO PARA TRANSFORMADOR Y RELÉ CON CONTROLES DE RETRASO NOCTURNO

CONTROLES DE RETIRO NOCTURNO (POR OTROS)

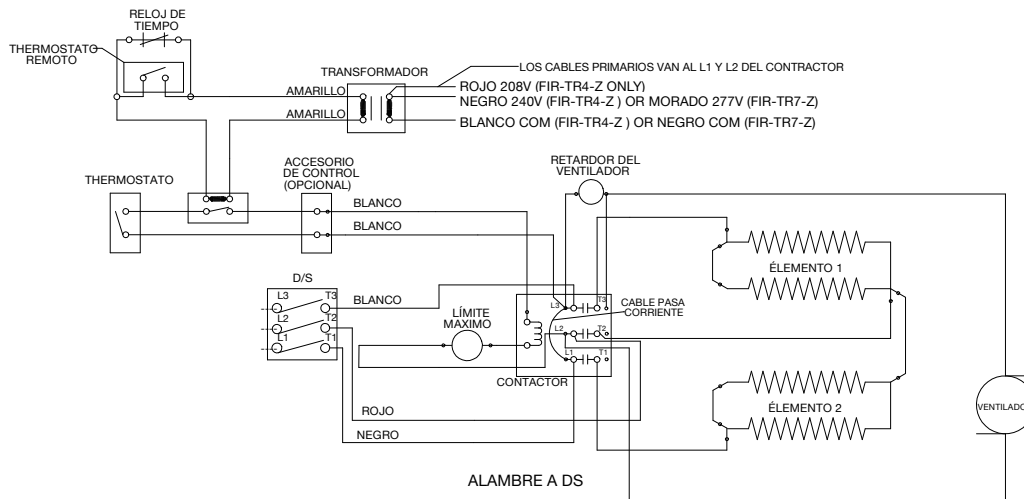


Figure 9

DIAGRAMA DE CABLEADO PARA TRANSFORMADOR Y RELÉ CON TERMOSTATO DIGITAL

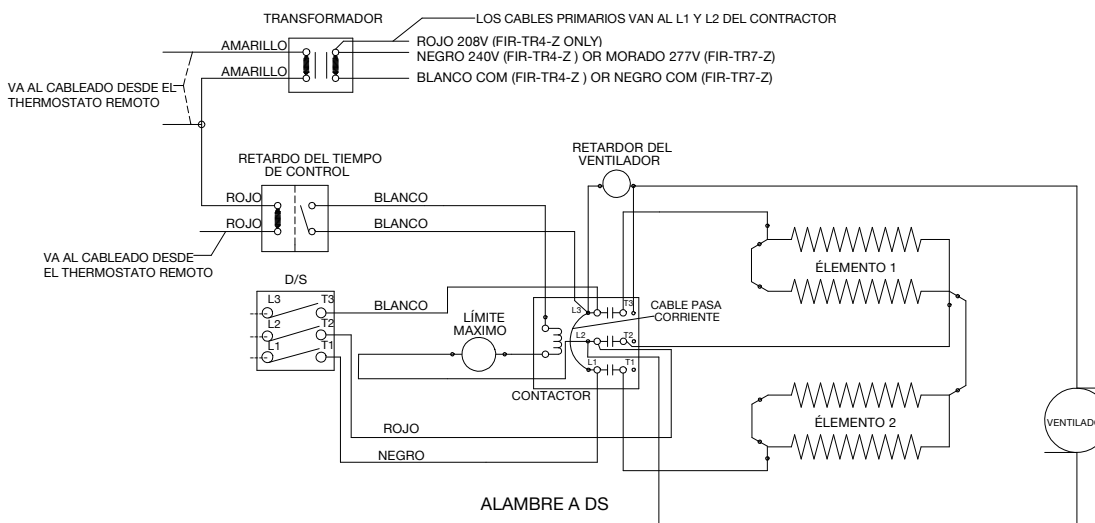


Figure 10

INSTALACIÓN DEL TERMOSTATO DIGITAL (TIK-SSP-Z)

1. Instale el transformador y relé (FIR-TR4-Z OR FIR-TR7-Z) como se muestra en la Figura 7. como se muestra en la Figura 7.

NOTA: Asegúrese de que la pestaña de la placa del relé esté bien enganchada en el orificio grande del soporte de montaje.

2. Pele el aislamiento y los terminales de los cables secundarios (amarillos) del transformador dejando 0,25 pulgadas de cable expuesto.
3. Para conectar el transformador, el relé y el termostato, consulte el diagrama de cableado, Figura 10, y realice lo siguiente:
 - a. Conecte los cables BLANCOS del calefactor a los terminales de la parte superior del relé.
 - b. (Solo para FIR-TR4-Z) – Conecte el cable BLANCO (principal) del transformador al terminal L1 del contactor. Conecte el cable ROJO (208V) o el cable NEGRO (240V) del transformador al terminal L2 del contactor. Enciente el extremo del cable del transformador no utilizado.
 - c. (Solo para FIR-TR7-Z) – Conecte el cable NEGRO (principal) del transformador al terminal L1 del contactor. Conecte el cable VIOLETA (277V) del transformador al terminal L2 del contactor.

- d. Retire la parte posterior del termostato digital SSP.
- e. Conecte un cable AMARILLO (secundario) del transformador al PIN 1 del termostato. Tal vez deba empalmar este cable con un cable de calibre AWG 18 del largo apropiado para llegar hasta la posición donde estará el termostato.
- f. Use un cable de calibre AWG 18 del largo apropiado para conectar al PIN 5 del termostato. Este se llamará cable COM.
- g. Conecte el cable ROJO a un terminal de la parte inferior del relé usando el Terminal Aislado de Conexión Rápida.
- h. Empalme el segundo cable AMARILLO del transformador con el cable COM y el cable ROJO usando un conector eléctrico. (Consultar la Figura 10).
- i. Use un cable de calibre AWG 18 del largo apropiado para conectar al PIN 18 del termostato. Conecte el otro extremo del cable al segundo cable ROJO de la parte inferior del relé (incluido).



LA TENSIÓN DEL TRANSFORMADOR DEBE COINCIDIR CON LA TENSIÓN DEL CALEFACTOR (INDICADA EN LA PLACA DEL CALEFACTOR)

GARANTÍA LIMITADA

Todos los productos fabricados por Indeeco están garantizados contra defectos de fabricación y de materiales por 1 año desde la fecha de compra, excepto los elementos calefactores los cuales están garantizados contra defectos en manufactura y materiales durante 5 años a partir de la fecha de compra. Esta garantía no se aplica a daños debidos a accidente, mal uso o alteración, ni a los casos en que la tensión eléctrica conectada supere a la tensión nominal indicada en la placa de características- en más de 5 %, ni a equipos que hayan sido instalados o cableados incorrectamente, o mantenidos en forma que no cumpla lo indicado en las instrucciones de instalación del producto. Esta garantía no se aplica a los productos reacondicionados. Todo reclamo por trabajos en garantía debe acompañarse con una prueba de la fecha de compra.

El cliente será responsable de todos los costos incurridos en el retiro o reinstalación de productos, incluyendo los costos de mano de obra y los costos de envío incurridos para regresar productos a un Centro de Servicio de Indeeco. Dentro de las limitaciones de esta garantía, las unidades que no funcionan deben regresarse al centro de servicio autorizado Indeeco más cercano, o al Centro de Servicio de Indeeco, y nosotros lo repararemos o reemplazaremos, a nuestra opción, sin cargo para usted, con el flete de retorno pagado por Indeeco. Se acuerda que tal reparación o reemplazo es el único recurso que Indeeco pone a su disposición.

LAS GARANTÍAS EXPUESTAS MÁS ARRIBA TOMAN EL LUGAR DE TODA OTRA GARANTÍA, EXPRESA O IMPLÍCITA, Y POR LA PRESENTE SE DECLINA Y EXCLUYE DE ESTE ACUERDO TODA GARANTÍA IMPLÍCITA DE COMERCIALIZACIÓN Y ADECUACIÓN A UN PROPÓSITO PARTICULAR QUE EXCEDA LAS GARANTÍAS EXPRESAS ANTEDICHAS. INDEECO NO SE HARÁ RESPONSABLE POR DAÑOS CONSIGUIENTES QUE SE PRODUZCAN CON RESPECTO AL PRODUCTO, EN BASE YA SEA A NEGLIGENCIA, AGRAVIO, RESPONSABILIDAD ESTRUCTIVA, O CONTRATO.

Algunos estados o jurisdicciones no permiten la exclusión o limitación de daños incidentales o consiguientes, de modo que la exclusión o limitación expresada más arriba puede no aplicarse a su caso. Esta garantía le da derechos legales específicos, y usted puede tener también otros derechos, que varían de un estado o jurisdicción a otro.

Para obtener la dirección de su centro de servicio autorizado más cercano comuníquese con Indeeco en St Louis, MO, Estados Unidos, llamando al 314-644-4300. Toda mercadería regresada a la fábrica debe ser acompañada por una autorización de retorno y una etiqueta de identificación de servicio, disponibles ambas en Indeeco. Cuando solicite la autorización de retorno, incluya todos los números de catálogo mostrados en los productos.

CÓMO OBTENER SERVICIO EN GARANTÍA, PIEZAS DE REPUESTO E INFORMACIÓN GENERAL

- | | |
|--|--|
| 1. Servicio o repuestos en garantía | 314-644-4300 |
| 2. Información general sobre productos | www.indeeco.com |

Nota: cuando solicite servicio, siempre dé la información que sigue:

1. Número de modelo del producto
2. Fecha de fabricación
3. Número de parte o descripción



St Louis, MO 63144 USA

Instructions d'installation

N° CAT.	ACCESSOIRE	VALEURS ÉLECTRIQUES NOMINALES	REMARQUES
FIT-500T-Z	Thermostat interne mono-pôle; gamme de température 4,4°C à 35°C	25 A; 120-277 V aPt. Tension pilote 720	—
FIR-24R-Z	Relais de commande; Bobine de maintien de 24 V aPt.	Ampérage inductif 7,0 à 120-277 V alt. Ampérage résistif 2,5 à 120-277 V alt	Délais de fermeture de 45 à 60 s. lorsqu'il est activé
FIR-R12-Z	Relais de commande; Bobine de maintien de 120 V aPt.	Ampérage inductif 7,0 à 120-277 V alt. Ampérage résistif 2,4 à 120-277 V alt.	Délais de fermeture de 45 à 60 s. lorsqu'il est activé
FIS-DS-Z	Commutateur d'alimentation	30A (MAX Load 24AA) 208 - 600 V alt.; 3 pôles, 10	—
FIR-TR4-Z	Transformateur et relais	Transformateur. Primaire 208 / 240 V alt.; secondaire 24 V - Relais; Bobine de maintien de 24 V alt	Délais de fermeture de 45 à 60 s. lorsqu'il est activé
FIR-TR7-Z	Transformateur et relais	Transformateur. Primaire 277 V alt.; secondaire 24 V - Relais; Bobine de maintien de 24 V alt	Délais de fermeture de 45 à 60 s. lorsqu'il est activé
TIK-SSP-Z	Thermomètre numérique	0.5A; 24 VCA; Charge maximale=89 VA	—



AVERTISSEMENT

CETTE FEUILLE D'INSTRUCTION CONTIENT DE L'INFORMATION VITALE POUR L'INSTALLATION ET L'UTILISATION CORRECTES ET POUR LE FONCTIONNEMENT EFFICACE DU RADIATEUR. LIRE ATTENTIVEMENT LE MANUEL AVANT L'INSTALLATION, LE FONCTIONNEMENT OU LE NETTOYAGE DU RADIATEUR. NE PAS SUIVRE CES INSTRUCTIONS PEUT ENTRAINER UN INCENDIE, UNE ÉLECTROCUTION, LA MORT, DES BLESSURES GRAVES OU DES DÉGÂTS MATÉRIELS

INSTALLATION DU COMMUTEUR D'ALIMENTATION

Fixation de surface et encastrée sauf barre en T :



AVERTISSEMENT

S'ASSURER QUE TOUTE L'ALIMENTATION SOIT DÉBRANCHÉE AVANT L'INSTALLATION.

1. Installer le commutateur sur la plaque de fixation en surface ou dans le boîtier encastré comme illustré dans les instructions d'installation du radiateur et dans la figure 1, avec les bornes marquées L1, L2 et L3 vers la découpe.
2. Installer le câblage du site sur les bornes du commutateur marquées L1 et L2 (et L3 pour du tri-phasé).
3. Installer le radiateur comme illustré dans les instructions d'installation de radiateur.
4. Connectez les fils dénudés du contacteur au sectionneur comme suit : fil noir vers T1 et fil rouge vers T2 (et fil blanc vers T3 pour les triphasés). Voir le schéma de câblage, figure 3.
5. Installez la conduite sur les fils allant du contacteur au sectionneur. Consultez les instructions d'installation de l'appareil de chauffage.

6. Tourner le commutateur dans le sens des aiguilles d'une montre pour mettre le circuit sous-tension.

Fixation sur barre en T :

1. Installer le commutateur dans le boîtier encastré comme illustré dans les instructions d'installation du radiateur et dans la figure 1, avec les bornes marquées L1, L2 et L3 vers la découpe.
2. Installez le câblage terrain jusqu'aux bornes du sectionneur marquées L1 et L2 (et L3 pour les triphasés).

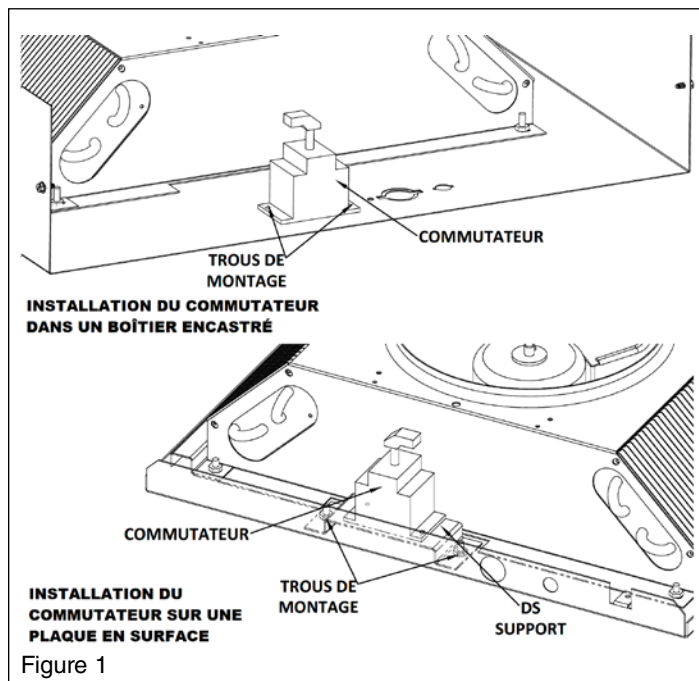


Figure 1

CONSERVER CES INSTRUCTIONS

3. Installez l'appareil de chauffage tel qu'indiqué dans les instructions d'installation de l'appareil de chauffage.
4. Connectez les fils dénudés du contacteur au sectionneur comme suit : fil noir vers T1 et fil rouge vers T2 (et fil blanc vers T3 pour les triphasés). Consultez le schéma de câblage, figure 3.
5. Installez la conduite sur les fils allant du contacteur au sectionneur. Consultez les instructions d'installation de l'appareil de chauffage.

INSTALLATION DE RELAIS DE COMMANDE (FIR-24R-Z OU FIR-R12-Z)

1. Installer le relais de commande comme illustré sur la figure 6.

REMARQUE: S'assurer que la languette de la plaque du relais de commande soit fermement engagée dans le grand trou du support de fixation.

2. Pour câbler le relais, voir le schéma de câblage, figure 7, et effectuer ce qui suit :

- a. Câbler le circuit de commande interne en branchant les fils BLANCS aux bornes en haut du relais.

REMARQUE: Le relais de commande nécessite une alimentation extérieure : 24 V aPt. pour le FIR-24R-Z et 120 V aPt. pour le FIR-R12-Z.

- b. Câbler le circuit de commande externe en branchant deux fils de commande du site (de la tension appropriée) sur les deux fils ROUGES de la base de relais, en utilisant deux connecteurs à écrou (fournis).

3. Pour l'arrêt pendant la nuit, voir le schéma de câblage, figure 8.

REMARQUE: Le relais de commande doit être alimenté pour le fonctionnement dans la journée.

ATTENTION

APOUR ÉVITER DES RISQUES D'ÉLECTROCUTION, S'ASSURER QUE L'ÉLECTRICITÉ SOIT COUPÉE AU NIVEAU DU COMMUTEUR PRINCIPAL AVANT D'EFFECTUER LE CÂBLAGE. LE CÂBLAGE DOIT ÊTRE CONFORME AUX EXIGENCES DU CODE ÉLECTRIQUE NATIONAL. TOUS LES FILS DE COMMANDE DOIVENT ÊTRE NEC CLASSE 1 POUR UNE TEMPÉRATURE NOMINALE DE 90° MINIMUM.

INSTALLATION DE THERMOSTAT INTERNE (FIT-500T-Z)

1. Installer le thermostat interne dans le radiateur comme illustré dans la figure 2.
2. Brancher les fils blancs du radiateur aux bornes "L2" et "cycle" sur le thermostat, comme illustré dans le diagramme de câblage, figure 3.

REMARQUE: Pousser fermement les connecteurs sur les bornes pour assurer une bonne connexion.

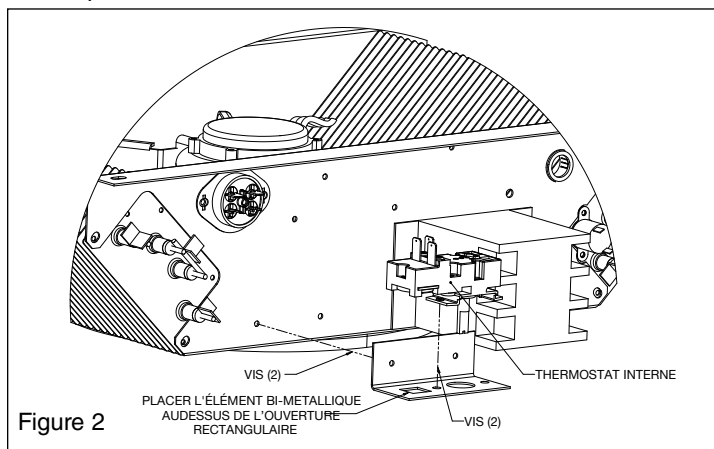


Figure 2

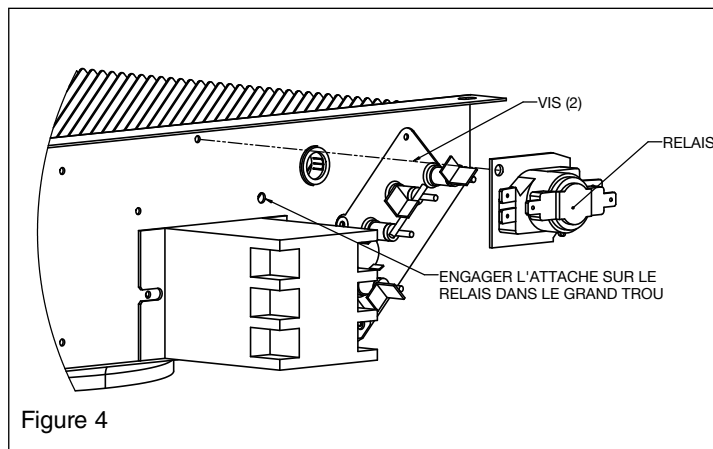


Figure 4

SCHÉMA DE CÂBLAGE DU THERMOSTAT

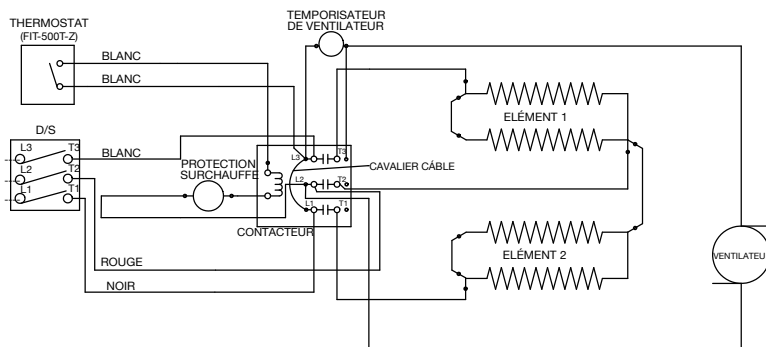


Figure 3

SCHÉMA DE CÂBLAGE DU RELAIS DE COMMANDE (FIR-24R-Z OR FIR-R12-Z)

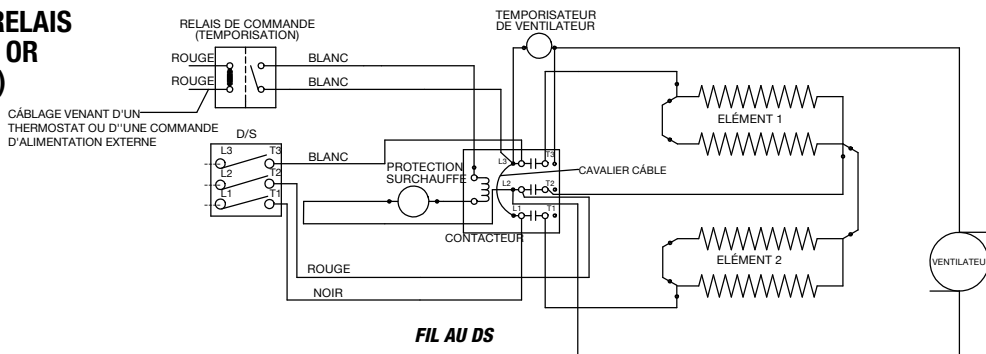


Figure 5

INSTALLATION DU TRANSFORMATEUR ET RELAIS AVEC THERMOSTAT ANALOGIQUE (FIR-TR4-Z OR FIR-TR7-Z)

1. Installer le transformateur et le relais comme illustré sur la figure 8.

REMARQUE: S'assurer que la languette de la plaque du relais de commande soit fermement engagée dans le grand trou du support de fixation.

2. Pour câbler le transformateur et le relais, voir le schéma de câblage, figure 10, et effectuer ce qui suit :
 - a. Connectez les fils à terminaux BLANCS de l'appareil de chauffage aux bornes en haut du relais.
 - b. Connectez un fil JAUNE (secondaire) du transformateur à l'une des bornes de la base du relais.
 - c. Connectez le fil ROUGE de la base du relais (fourni) et l'autre fil JAUNE du transformateur aux fils du thermostat basse tension distant.
 - d. (Pour FIR-TR4-Z uniquement) - connectez le fil BLANC (primaire) du transformateur à la borne L1 du contacteur. Connectez le fil ROUGE (208V) ou le fil NOIR (240V) dur transformateur à la borne L2 du contacteur. Coupez et enrubannez l'extrémité du fil du transformateur inutilisé.
 - e. (Pour FIR-TR7-Z uniquement) - Connectez le fil NOIR (primaire) du transformateur à la borne L1 du contacteur. Connectez le fil VIOLET (277V) du transformateur à la borne L2 du contacteur.

3. Pour un fonctionnement avec arrêt de nuit, voir le schéma de câblage, figure 9.

REMARQUE : Le relais de commande doit être alimenté pour le fonctionnement de jour.

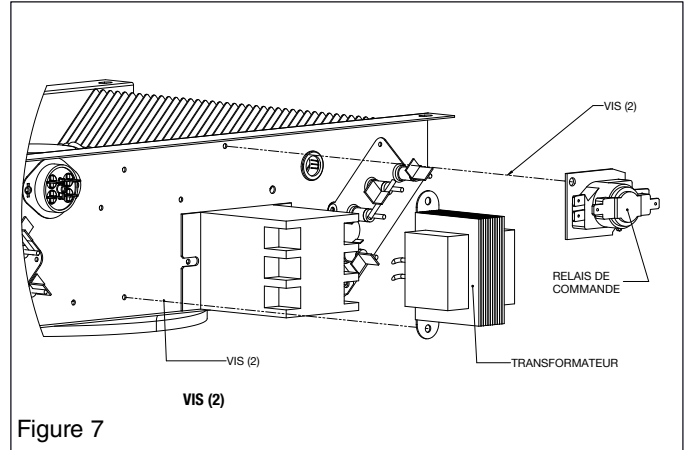


Figure 7

SCHÉMA DE CÂBLAGE DU RELAIS DE COMMANDE (FIR-24R-Z OR FIR-R12-Z) AVEC ARRÊT DE NUIT

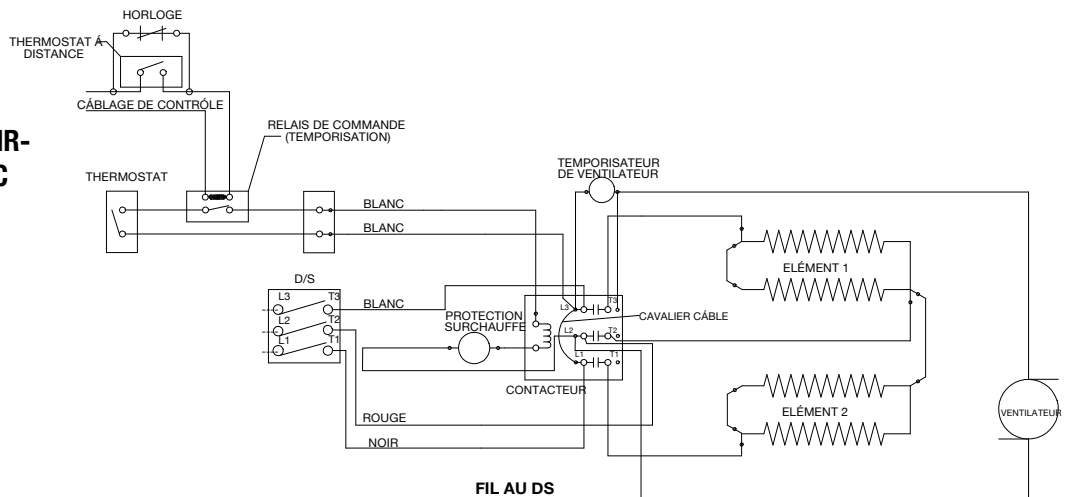


Figure 6

SCHÉMA DE CÂBLAGE DU TRANSFORMATEUR ET RELAIS FIR-TR4-Z OR FIR-TR7-Z

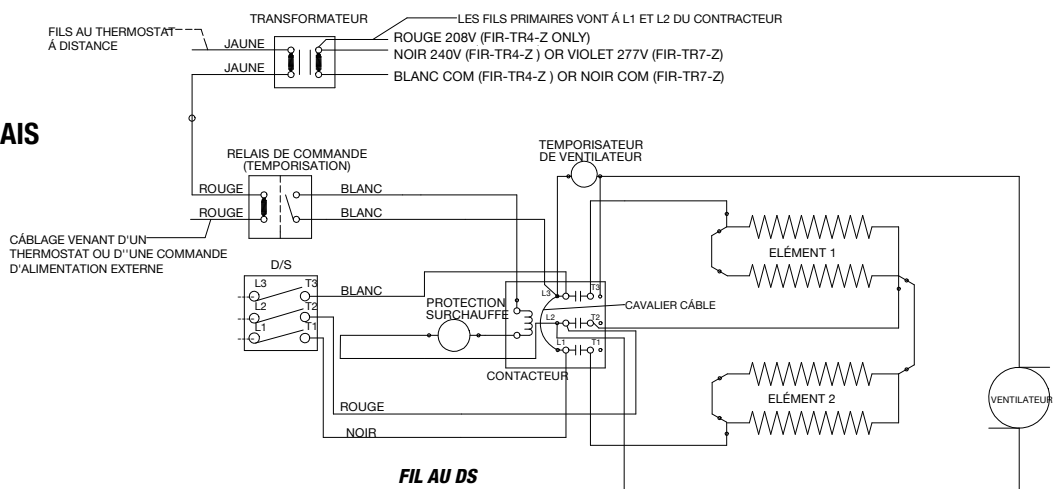


Figure 8

SCHEMA DE CÂBLAGE POUR TRANSFORMATEUR ET RELAIS AVEC COMMANDES DE RÉGLAGE DE NUIT

COMMANDES DE RÉGLAGE DE NUIT (PAR D'AUTRES)

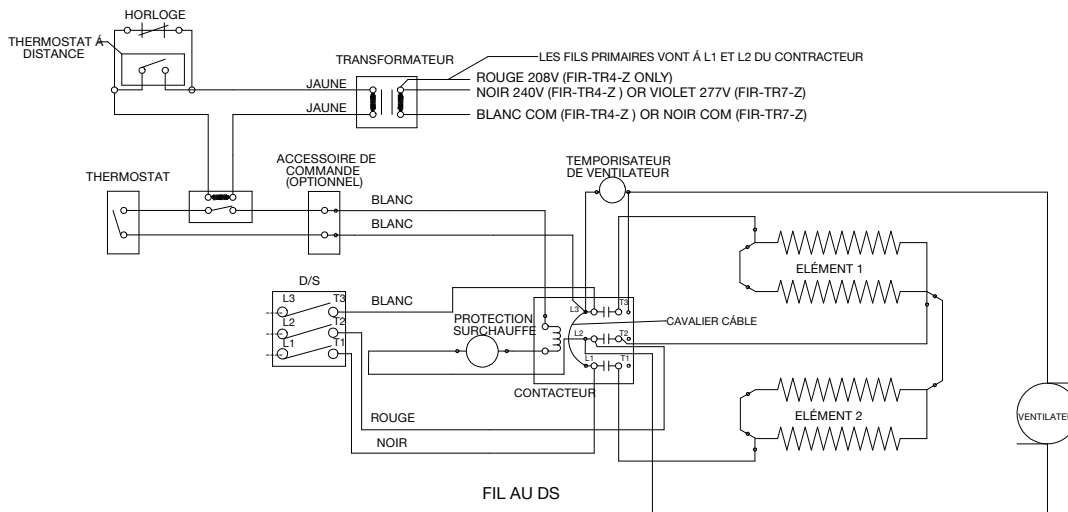


Figure 9

SCHEMA DE CÂBLAGE POUR TRANSFORMATEUR ET RELAIS AVEC THERMOSTAT NUMÉRIQUE

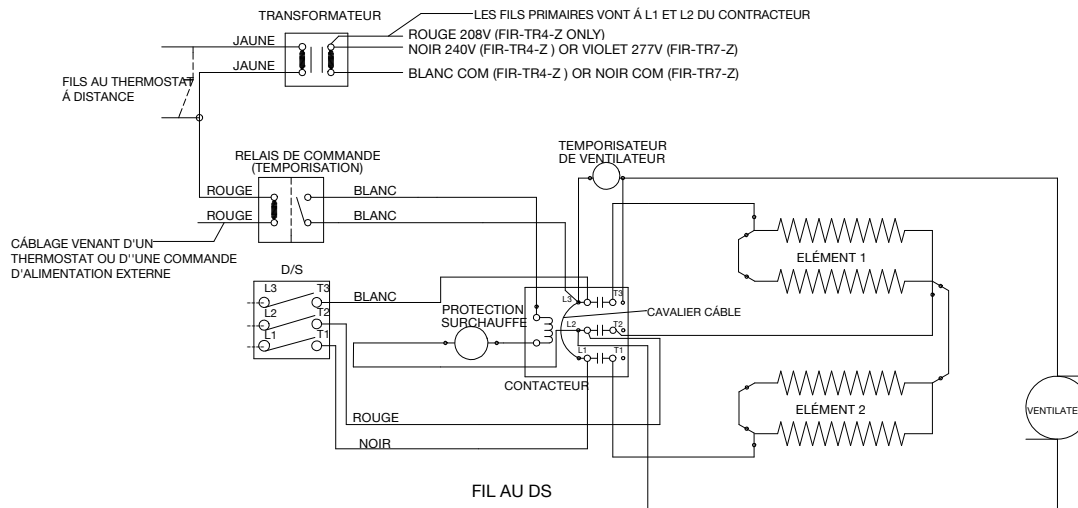


Figure 10

INSTALLATION DU THERMOSTAT NUMÉRIQUE (TIK-SSP-Z)

1. Installez le transformateur et le relais (FIR-TR4-Z OR FIR-TR7-Z) tel qu'indiqué à figure 7.
- NOTE:** Assurez-vous que la languette sur la plaque de relais est solidement engagée dans le grand trou du support de montage.
2. Dénudez l'isolant et les bornes des fils secondaires (fils jaunes) du transformateur, en laissant 0,25 pouce de fil exposé.
3. Pour câbler le transformateur, le relais et le thermostat, consultez le schéma de câblage, figure 10, et procédez comme suit :
 - a. Connectez les fils BLANCS de l'appareil de chauffage aux bornes au haut du relais.
 - b. (Pour FIR-TR4-Z uniquement) - Connectez le fil BLANC (primaire) du transformateur à la borne L1 du contacteur. Connectez le fil ROUGE (208V) ou le fil NOIR (240V) du transformateur à la borne L2 du contacteur. Coupez et enrubannez l'extrémité du fil du transformateur inutilisé
 - c. (Pour FIR-TR7-Z uniquement) - Connectez le fil NOIR (primaire) du transformateur à la borne L1 du contacteur. Connectez le fil VIOLET (277V) du transformateur à la borne L2 du contacteur.
 - d. Retirez l'arrière du thermostat numérique SSP.

- e. Connectez un fil JAUNE (secondaire) du transformateur à la broche 1 (PIN 1) du thermostat. Il peut être nécessaire d'épisser ce fil avec un fil 18 AWG de longueur appropriée pour obtenir la position souhaitée pour le thermostat.
- f. Utilisez un fil 18 AWG de longueur appropriée pour vous connecter à la broche 5 (PIN 5) du thermostat. C'est ce qu'on appellera le fil COM.
- g. Connectez le fil ROUGE fourni à une borne au bas du relais, à l'aide de la borne de raccordement rapide isolée.
- h. Épissez ensemble le deuxième fil JAUNE du transformateur avec le fil COM et le fil ROUGE à l'aide d'un serre-fil. (Consultez 10).
- i. Utilisez un fil 18 AWG de longueur appropriée pour vous connecter à la broche 18 (PIN 18) du thermostat. Connectez l'autre extrémité du fil au deuxième fil ROUGE à la base du relais.

⚠ CAUTION ⚡

TLA TENSION DU TRANSFORMATEUR DOIT CORRESPONDRE À LA TENSION DE L'APPAREIL DE CHAUFFAGE (INDIQUÉE SUR LA PLAQUE SIGNALÉTIQUE DE L'APPAREIL DE CHAUFFAGE)

GARANTIE LIMITÉE

Tous les produits fabriqués par Indeeco sont garantis contre les défauts de fabrication et de matériau pendant une année à compter de leur date d'achat, sauf les éléments chauffants, lesquels sont garantis contre les défauts de fabrication et de matériau pendant 5 ans à compter de la date d'achat. Cette garantie ne couvre pas les dommages causés par un accident, une mauvaise utilisation ou une altération et ne s'applique pas si la tension d'alimentation dépasse de 5% ou plus celle de la plaque signalétique, si l'équipement est mal installé, mal câblé ou mal entretenu, contrairement aux instructions d'installation et d'utilisation du produit. Cette garantie ne s'applique pas aux produits remis à neuf. Toutes les réclamations sous garantie doivent être accompagnées d'une preuve de date d'achat.

Le client doit être responsable de tous les coûts occasionnés pour le démontage ou la réinstallation des produits, incluant les coûts de main-d'oeuvre, et les coûts d'expédition pour renvoyer les produits au centre de service de Indeeco. Dans le cadre des limitations de cette garantie, les unités ne fonctionnant pas doivent être renvoyées au centre de service agréé Indeeco le plus proche, ou directe au centre de service de Indeeco, où ils seront réparés ou remplacés, à notre choix, sans frais pour vous avec le port de retour payé par Indeeco. Il est convenu que cette réparation ou ce remplacement sera le seul remède à attendre de Indeeco.

LES GARANTIES QUI PRÉCÈDENT TIENNENT LIEU DE TOUTES LES AUTRES GARANTIES, EXPLICITES OU IMPLICITES, ET TOUTES LES GARANTIES IMPLICITES DE VALEUR MARCHANDE ET D'ADÉQUATION POUR UNE FINALITÉ SPÉCIFIQUE QUI EXCÉDERAIENT LES DISPOSITIONS DE GARANTIE PRÉCÉDEMMENT ÉNONCÉES SONT ICI REJETÉES ET EXCLUES DE CET ACCORD. INDEECO NE SERA PAS TENU POUR RESPONSABLE DES DOMMAGES CONSÉCUTIFS SURVENANT EN RELATION AVEC LE PRODUIT, QU'ILS SOIENT À BASE DE NÉGLIGENCE, TORT, RESPONSABILITÉ PURE OU CONTRACTUELLE.

Certains États ne permettent pas l'exclusion ou la limitation des dommages consécutifs ou annexes, de ce fait l'exclusion ou la limitation qui précède peut ne pas s'appliquer à votre cas. Cette garantie vous donne des droits légaux spécifiques, qui varient d'un État à un autre. Pour obtenir l'adresse de votre centre de service agréé le plus proche, contactez Indeeco à St Louis, MO, USA, au 314-644-4300. Toute marchandise retournée à l'usine doit être accompagnée d'une autorisation de renvoi et d'une étiquette d'identification pour le service, ces deux documents étant disponibles auprès de Indeeco. En demandant une autorisation de retour, fournissez tous les numéros de catalogue indiqués sur les produits.

COMMENT OBTENIR DU SERVICE ET DES PIÈCES DANS LE CADRE DE LA GARANTIE ET DES INFORMATIONS GÉNÉRALES

- | | |
|--|---|
| 1. Service ou pièces sous garantie | 314-644-4300 |
| 2. Informations générales sur les produits | www.indeeco.com |

Remarque : Pour obtenir le service sous garantie vous devez toujours avoir préparé:

1. Référence de modèle du produit
2. Date de fabrication
3. Numéro ou description de pièce

INDEECO 

St Louis, MO 63144 USA