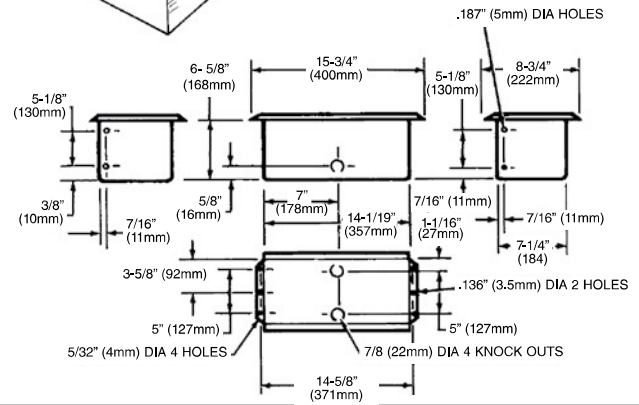


939 Series Floor Drop-in Space Heaters



Installation, Operation & Maintenance Instructions

Specifications

Model	Volts	Wattage	Amps
939IW-11500-G	120	1500/750	12.5/6.3
939IW-11504-G	240	1500/750	6.3/3.1
	208	1125/563	5.4/2.7

IMPORTANT INSTRUCTIONS



WARNING



WHEN USING ELECTRIC APPLIANCES, BASIC PRECAUTIONS SHOULD ALWAYS BE FOLLOWED TO REDUCE THE RISK OF FIRE, ELECTRIC SHOCK, AND INJURY TO PERSONS, INCLUDING THE FOLLOWING:

1. Read all instructions before installing or using this heater.
2. This heater is hot when in use. To avoid burns, do not let bare skin touch hot surfaces. Keep combustible materials, such as furniture, pillows, bedding, papers, clothes, etc. and curtains at least 3 feet (0.9 m) from the front of the heater.
3. Extreme caution is necessary when any heater is used by or near children or invalids and whenever the heater is left operating and unattended.
4. Do not operate any heater after it malfunctions. Disconnect power at service panel and have heater inspected by a reputable electrician before using.
5. Do not use outdoors.
6. To disconnect heater, turn controls to off, and turn off power to heater circuit at main disconnect panel.
7. Do not insert or allow foreign objects to enter any ventilation or exhaust opening as this may cause an electric shock, fire, or damage to the heater.
8. To prevent a possible fire, do not block air intake or exhaust in any manner.
9. A heater has hot and arcing or sparking parts inside. Do not use it in areas where gasoline, paint, or flammable liquids are used or stored.
10. Use this heater only as described in this manual. Any other use not recommended by the manufacturer may cause fire, electric shock, or injury to persons.
11. This heater is provided with an alarm buzzer that will sound only if the heater has turned off as a result of overheating. If you hear the alarm buzzer, immediately turn the heater off and inspect for any objects on or adjacent to the heater that may have blocked the airflow or otherwise caused high temperatures to have occurred. **DO NOT OPERATE THE HEATER WITH THE ALARM BUZZER SOUNDING.**
12. This heater is intended for comfort heating applications and not intended for use in special environments. Do not use in damp or wet locations such as marine or greenhouse or in areas where corrosive or chemical agents are present.
13. When installing, see **INSTALLATION INSTRUCTIONS** for additional warnings and precautions.
14. For safe and efficient operation, and to extend the life of your heater, keep your heater clean - See **MAINTENANCE INSTRUCTIONS**.

SAVE THESE INSTRUCTIONS

INSTALLATION INSTRUCTIONS

⚠ WARNING ⚠

To prevent a possible fire, injury to persons or damage to the heater, adhere to the following:

1. Disconnect all power coming to heater at main service panel before wiring or servicing.
2. All wiring procedures and connections must be in accordance with the National and Local Codes having jurisdiction and the heater must be grounded.
3. Power supply must enter enclosure through the knockouts.
4. Verify the power supply voltage coming to heater matches the ratings as shown on the heater nameplate.

CAUTION: Energizing heater at a voltage greater than the voltage printed on the nameplate will damage the heater and void the warranty and could cause a fire.

5. **CAUTION** - High temperature, risk of fire, keep electrical cords, drapery, furnishings, and other combustibles at least 3 feet (0.9 m) from heater. Do not install heater behind doors, below towel racks, or in an area where it is subject to being blocked by furniture, curtains or storage materials. Hot air from the heater may damage certain fabrics and plastics.
6. To reduce the risk of fire, do not store or use gasoline or other flammable vapors and liquids in the vicinity of the heater.
7. This heater is to be mounted in the floor only. **DO NOT** install in wall, ceiling or in any manner where air flow through heater may be obstructed. **DO NOT** install heater without enclosure.
8. The following minimum clearances must be maintained:
 - Sides of heater to adjacent wall - 6" (152 mm).
 - Side of heater to drapes - 1" (25 mm) to nearest fold.
 - End of heater to wall - 36" (915 mm).
9. Do not operate the heater without the grille installed.
10. This heater is **NOT** intended for use in wet locations where heater could be exposed to water.

General

When installing the heater(s) as draft barriers below windows it is recommended that the heater(s) capacity be matched to the heat loss of the glass area. Also, the heat spread of each heater is about 5 feet (1524mm) so for continuous draft control heaters should be mounted 5 feet (1524mm) apart.

When using the heater(s) as the sole source of heat in the room, the capacity of the heater(s) should match the heat loss of the room. For good room temperature control, a Marley wall thermostat mounted on an inside wall is recommended.

To prevent discoloration of some synthetic drapery materials and to avoid undue wall discoloration, the side of the heater should be at least 1 inch (25,4mm) from the drapes nearest fold and the end of the heater should be no closer than 3 feet (914mm) to the wall (See specifications and Warning No. 6).

Enclosure Installation in Wood Floors

1. Provide a hole 7-3/8" by 14-1/4" (187 mm by 362 mm) in floor at least 6" (152 mm) from the wall with the longest side parallel to the wall as shown in Figure 1.
2. Insert the enclosure into the opening and secure with four nails.

NOTE: Enclosure may be installed with flanges flat against the floor and the floor covering between the grille and enclosure flange, provided the floor covering is no thicker than 3/4" (19.1 mm) and is trimmed to prevent any portion of it from extending past the flange and into the enclosure.

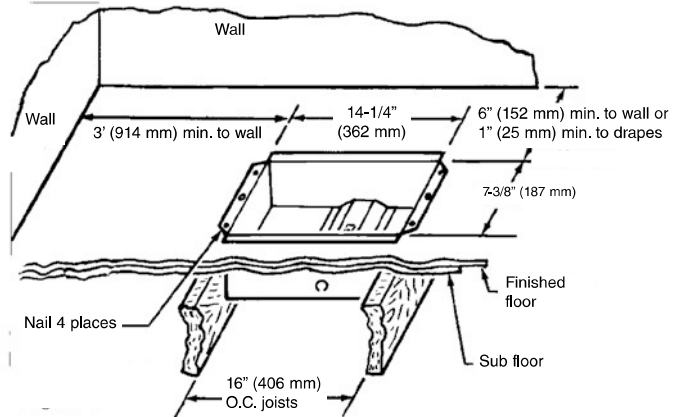


Figure 1

Wiring Notice

This heater is **NOT** provided with built-in power disconnect switch. To comply with the 1993 National Electrical Code (Section 424-19 and 424-20) the following options are available:

1. The room thermostat used to control this heater must be either a double pole, positive off design that will de-energize all ungrounded conductors when in the "Off" position, **OR**
2. The main disconnect service panel must be located within sight of the heater, **OR**
3. The disconnecting means must be able to be locked in the open position.

Wiring the Enclosure

1. Bring supply wire into desired knockout, leaving 6" (152mm) of leads extending into the enclosure as shown in Figure 2.

NOTE: Wiring compartment volume - 15in³ (244cm³)

2. Secure the ground lead to the ground screw on the bottom of the enclosure.
3. For Model I1500, connect the white (neutral) supply lead to the white receptacle lead and the black line supply lead to the black receptacle lead as shown in Figure 2. (See also wiring diagram shown in Figure 3). For I1504 connect the two black supply leads to the two black receptacle leads. (See wiring diagram shown in Figure 3.)
4. Install junction box cover as shown in Figure 2.

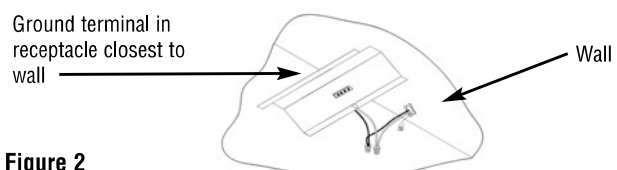


Figure 2

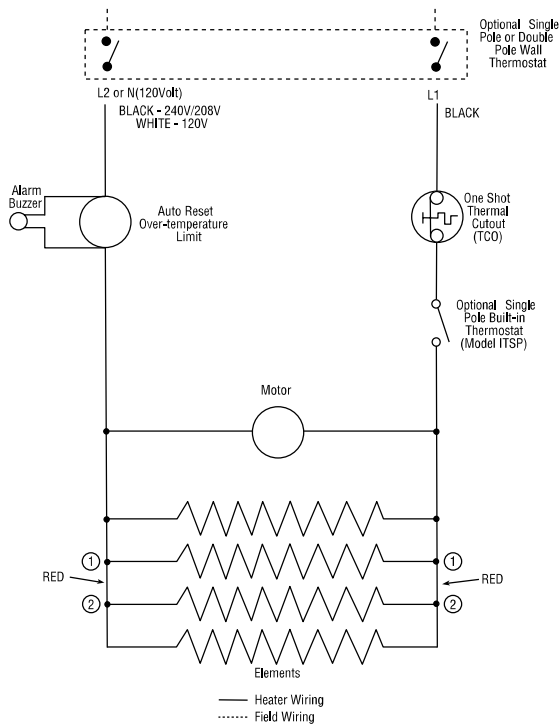


Figure 3

To Reduce Wattage

The heater wattage may be reduced from 1500W to 750W by removal of two (2) red jumpers (Figure 3).

Heater Assembly

NOTE: For units with built-in thermostat, the temperature sensing bulb must be located on the side of the heater closest to the wall for most efficient operation.

1. Slide heater assembly into the enclosure part way so the plug can be inserted into receptacle in junction box cover.
2. After plug is fully inserted into receptacle, push heater down in position and secure with two (2) screws provided (See Figure 4).
3. If a floor covering is installed after the enclosure is installed, make certain it does not extend past the edges of the enclosure. (See "Enclosure Installation In Wood Floors" Note).
4. Place the grille over the enclosure and secure with the two painted screws provided as shown in Figure 4.

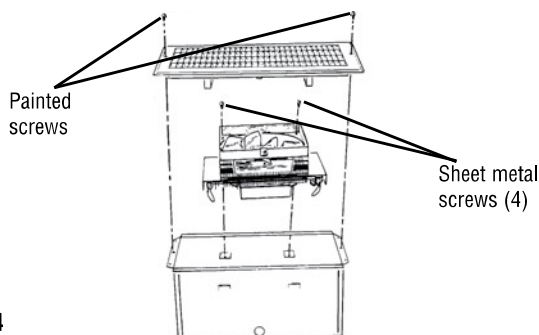


Figure 4

OPERATING INSTRUCTIONS

1. Heater must be properly installed before operation.
2. After heater is completely assembled, rotate thermostat knob counterclockwise until control stops. This is the minimum heat setting.
3. Turn power supply to heater "ON" at main switch panel.
4. Heater should not operate. If it operates disconnect power and recheck wiring.
5. Rotate thermostat clockwise until it stops (maximum heat setting).
6. Heater and fan should come on. If heater and fan do not come on, disconnect power and check wiring.
7. Allow heater to continue to operate until room temperature reaches desired comfort level. Then rotate thermostat knob counterclockwise slowly until thermostat clicks off.
8. It may be necessary to readjust thermostat a time or so until exact comfort level is attained. Rotation in the clockwise direction will increase the amount of time the heater will produce heat. Rotation in the counterclockwise direction will reduce the amount of time the heater is on.

NOTE: For best results, the heater should be left "ON" constantly during the heating season as the thermostat, when properly set, will maintain the desired temperature. In the full counterclockwise position the heater will remain off until the room temperature drops well below freezing.

CAUTION ⚠

HIGH TEMPERATURE, RISK OF FIRE, KEEP ELECTRICAL CORDS, DRAPERY, FURNISHINGS, AND OTHER COMBUSTIBLES AT LEAST 3 FEET FROM HEATER DISCHARGE.

Over -Temperature Safety Control:

This heater is provided with an over-temperature safety control that will turn the heater off if the heater overheats. If this control operates, a warning buzzer will sound to alert the owner that the heater is off and requires attention. The heater should be checked to determine the reason for overheating and any blockages removed. See also User Cleaning Instructions in the Maintenance Section. Once the heater has cooled the over-temperature safety control will reset and the heater will return to normal operation.

⚠ WARNING ⚠

DO NOT TAMPER WITH OR BYPASS ANY SAFETY LIMITS INSIDE HEATER.

CAUTION ⚠

DO NOT CONTINUE TO ATTEMPT TO USE THE HEATER IF THE SAFETY CONTROL REPEATEDLY OPERATES AFTER BEING RESET. TO DO SO COULD PERMANENTLY DAMAGE THE HEATER OR CREATE A FIRE OR SAFETY HAZARD.

Special Note: In addition to the over-temperature safety control, this heater is provided with a back-up thermal fuse (one shot) that will permanently shut the heater off if for some reason the over-temperature safety control should not function as intended. If this thermal fuse activates, the heater will not reset and must be repaired by a qualified repair person

It is important to keep this heater clean. Your heater will give you years of service and comfort with only minimum care. To assure efficient operation follow the simple instructions below.

⚠ WARNING ⚠

ALL SERVICING BEYOND SIMPLE CLEANING THAT REQUIRES DISASSEMBLY SHOULD BE PERFORMED BY QUALIFIED SERVICE PERSONNEL.

⚠ WARNING ⚠

TO REDUCE RISK OF FIRE AND ELECTRIC SHOCK OR INJURY, DISCONNECT ALL POWER COMING TO HEATER AT MAIN SERVICE PANEL AND CHECK THAT THE ELEMENT IS COOL BEFORE SERVICING OR PERFORMING MAINTENANCE.

User Cleaning Instructions:

1. After the heater has cooled, a vacuum cleaner with brush attachment may be used to remove dust and lint from exterior surfaces of the heater including the grille openings.
2. With a damp cloth, wipe dust and lint from grille and exterior surfaces.
3. Return power to heater and check to make sure it is operating properly.

Maintenance Cleaning Instructions:

(To be performed only by Qualified Service Personnel)

At least annually, the heater should be cleaned and serviced by a qualified service person to assure safe and efficient operation. This should include the removal of the grille and, as necessary the heater from the backbox to clean residue from the unit. After completing the cleaning and servicing, the heater should be fully reassembled and checked for proper operation.

MAINTENANCE INSTRUCTIONS

It is important to keep this heater clean. Your heater will give you years of service and comfort with only minimum care. To assure efficient operation follow the simple instructions below.

⚠ WARNING ⚠

ALL SERVICING BEYOND SIMPLE CLEANING THAT REQUIRES DISASSEMBLY SHOULD BE PERFORMED BY QUALIFIED SERVICE PERSONNEL.

⚠ WARNING ⚠

TO REDUCE RISK OF FIRE AND ELECTRIC SHOCK OR INJURY, DISCONNECT ALL POWER COMING TO HEATER AT MAIN SERVICE PANEL AND CHECK THAT THE ELEMENT IS COOL BEFORE SERVICING OR PERFORMING MAINTENANCE.

User Cleaning Instructions:

1. After the heater has cooled, a vacuum cleaner with brush attachment may be used to remove dust and lint from exterior surfaces of the heater including the grille openings.
2. With a damp cloth, wipe dust and lint from grille and exterior surfaces.
3. Return power to heater and check to make sure it is operating properly.

Maintenance Cleaning Instructions:

(To be performed only by Qualified Service Personnel)

At least annually, the heater should be cleaned and serviced by a qualified service person to assure safe and efficient operation. This should include the removal of the grille and, as necessary the heater from the backbox to clean residue from the unit. After completing the cleaning and servicing, the heater should be fully reassembled and checked for proper operation.

LIMITED WARRANTY

All products manufactured by Indeeco are warranted against defects in workmanship and materials for one year from the date of purchase, except heating elements which are warranted against defects in workmanship and materials for five years from date of purchase. This warranty does not apply to damage from accident, misuse, or alteration; nor where the connected voltage is more than 5% above the nameplate voltage; nor to equipment improperly installed or wired or maintained in violation of the product's installation instructions. This warranty does not apply to refurbished products. All claims for warranty work must be accompanied by proof of the date of purchase.

The customer shall be responsible for all costs incurred in the removal or reinstallation of products, including labor costs, and shipping costs incurred to return products to Indeeco. Within the limitations of this warranty, inoperative units should be returned to Indeeco, and we will repair or replace, at our option, at no charge to you with return freight paid by Indeeco. It is agreed that such repair or replacement is the exclusive remedy available from Indeeco.

THE ABOVE WARRANTIES ARE IN LIEU OF ALL OTHER WARRANTIES EXPRESSED OR IMPLIED, AND ALL IMPLIED WARRANTIES OF MERCHANTABILITY AND FITNESS FOR A PARTICULAR PURPOSE WHICH EXCEED THE AFORESAID EXPRESSED WARRANTIES ARE HEREBY DISCLAIMED AND EXCLUDED FROM THIS AGREEMENT. Indeeco SHALL NOT BE LIABLE FOR CONSEQUENTIAL DAMAGES ARISING WITH RESPECT TO THE PRODUCT, WHETHER BASED UPON NEGLIGENCE, TORT, STRICT LIABILITY, OR CONTRACT.

Some states do not allow the exclusion or limitation of incidental or consequential damages, so the above exclusion or limitation may not apply to you. This warranty gives you specific legal rights, and you may have other rights which vary from state to state.

Contact Indeeco in St Louis, MO, at 314-644-4300. Merchandise returned to the factory must be accompanied by a return authorization and service identification tag, both available from Indeeco. When requesting return authorization, include all catalog numbers shown on the products.

HOW TO OBTAIN WARRANTY SERVICE AND WARRANTY PARTS PLUS GENERAL INFORMATION

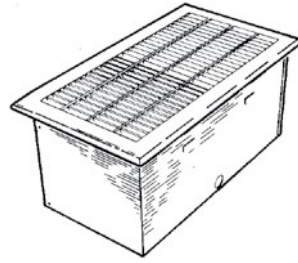
1. Warranty Service or Parts **314-644-4300**
2. General Product Information **www.indeeco.com**

Note: When obtaining service always have the following:

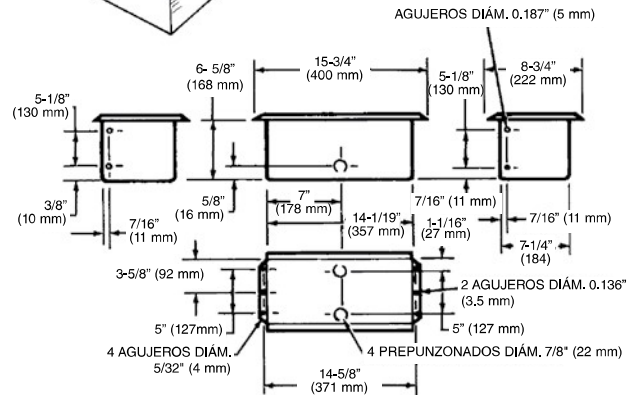
1. Model number of the product
2. Date of manufacture
3. Part number or description



St Louis, MO 63144 USA



939 Series Calefactores ambientales de piso



Instrucciones de instalación, operación y mantenimiento

Especificaciones

Modelo	Tensión (volts)	Potencia (watts)	Corriente (A)
939IW-11500-G	120	1500/750	12,5/6,3
939IW-11504-G	240	1500/750	6,3/3,1
	208	1125/563	5,4/2,7

INSTRUCCIONES IMPORTANTES



ADVERTENCIA



AL UTILIZAR ARTEFACTOS ELÉCTRICOS, PARA REDUCIR EL RIESGO DE INCENDIO, CHOQUE ELÉCTRICO Y LESIONES PERSONALES DEBEN OBSERVARSE SIEMPRE ALGUNAS PRECAUCIONES BÁSICAS, COMO LAS SIGUIENTES:

1. Lea todas las instrucciones antes de instalar o utilizar este calefactor.
2. Cuando está en funcionamiento, el calefactor está muy caliente. Para evitar quemaduras, no deje que su piel haga contacto directo con las superficies calientes. Mantenga los materiales combustibles como muebles, almohadas, ropas de cama, papeles, ropas, cortinas, etc. a 3 pies (0,9 m) como mínimo del frente del calefactor.
3. Se necesita extremo cuidado al utilizar cualquier calefactor junto a o cerca de niños o inválidos, y en todo momento en que el calefactor quede funcionando y desatendido.
4. No opere ningún calefactor después de que haya tenido una falla de funcionamiento. Desconecte la alimentación eléctrica en el tablero de servicio y haga revisar el calefactor por un electricista calificado antes de usarlo.
5. No use el equipo en exteriores.
6. Para desconectar el calefactor, lleve los controles a la posición Apagado (OFF) y desconecte la alimentación del circuito del calefactor en el tablero de desconexión principal.
7. No inserte ni permita que entren objetos extraños en ninguna abertura de ventilación o de descarga, porque esto puede ser causa de choque eléctrico, incendio o daño al calefactor.
8. Para evitar un posible incendio, no bloquee de ningún modo la entrada ni la descarga de aire.
9. Un calefactor tiene en su interior piezas calientes, y piezas en las que se producen arcos o chispas. No lo utilice en áreas en las que se utilice o almacene gasolina, pintura o líquidos inflamables.
10. Utilice este calefactor únicamente de la manera descrita en este manual. Cualquier otra forma de uso no recomendada por el fabricante puede ser causa de incendio, choque eléctrico o daños personales.
11. Este calefactor cuenta con un zumbador de alarma que suena únicamente si el calefactor se ha apagado como resultado del sobrecalentamiento. Si usted oye el zumbador de alarma, apague de inmediato el calefactor y haga una inspección para ver si hay objetos sobre o cerca del calefactor que pudieran haber bloqueado la circulación de aire o causado de alguna otra forma la presencia de altas temperaturas. **NO OPERE EL CALEFACTOR SI SUENA EL ZUMBADOR.**
12. Este calefactor está destinado a aplicaciones de calefacción ambiental, y no es para utilizar en ambientes especiales. No lo use en lugares húmedos o mojados como zonas marítimas o invernaderos, ni en áreas en las que estén presentes agentes químicos o corrosivos.
13. Al realizar la instalación, vea las advertencias y precauciones adicionales en las INSTRUCCIONES DE INSTALACIÓN.
14. Para garantizar una operación segura y eficiente, y para extender la vida útil de su calefactor, manténgalo limpio. Vea las INSTRUCCIONES DE MANTENIMIENTO.

GUARDE ESTAS INSTRUCCIONES

INSTRUCCIONES DE INSTALACIÓN

⚠ ADVERTENCIA ⚠

Para evitar un posible incendio, lesiones personales o daños al calefactor, observe lo siguiente:

1. Antes de proceder a tareas de conexión o de reparación del calefactor, desconecte toda la alimentación eléctrica que llega al mismo desde el tablero principal de servicio.
2. Todos los procedimientos de cableado y conexiones deben hacerse de conformidad con los códigos nacionales y locales que tengan jurisdicción, y el calefactor debe estar conectado a tierra.
3. La alimentación eléctrica debe ingresar al gabinete a través de los prepunzonados.
4. Verifique que la tensión de alimentación provista al calefactor coincida con la tensión nominal indicada en la placa de características del mismo.

ATENCIÓN: si se energiza un calefactor con una tensión mayor que el valor de tensión impreso en la placa de características, se dañará el calefactor, se anulará la garantía, y podría producirse un incendio.

5. **ATENCIÓN:** alta temperatura, riesgo de incendio. Mantenga los cables eléctricos, cortinados, muebles y otros elementos combustibles a una distancia de 3 pies (0,9 m) del calefactor como mínimo. No instale el calefactor detrás de puertas, debajo de toalleros, ni en un área en la que esté sujeto a bloqueo por muebles, cortinas o materiales almacenados. El aire caliente que sale del calefactor puede dañar algunas telas y plásticos.
6. Para reducir el riesgo de incendio, no almacene ni use gasolina u otros vapores y líquidos inflamables en las cercanías del calefactor.
7. Este calefactor es para montar únicamente en el piso. NO lo instale en una pared ni en el cielorraso, ni de ningún modo que pueda obstruir la circulación de aire a través de él. NO instale el calefactor sin su gabinete.
8. Deben mantenerse las distancias mínimas que se indican a continuación:
 - De los costados del calefactor a la pared adyacente: 152 mm (6").
 - Del costado del calefactor a cortinados: 1" (25 mm) al pliegue más cercano.
 - Del extremo del calefactor a la pared: 36" (915 mm).
9. No haga funcionar el calefactor sin haber instalado la rejilla.
10. Este calefactor NO está destinado a su empleo en lugares húmedos en los que pudiera estar expuesto al agua.

Información general

Al instalar el (los) calefactor(es) como barreras para las corrientes de aire debajo de ventanas, se recomienda que la capacidad del (de los) calefactor(es) esté de acuerdo con la pérdida de calor del área vidriada. Además, el alcance de calor de cada calefactor es de alrededor de 5 pies (1524 mm), por lo que para un control continuo de las corrientes de aire los calefactores deben estar montados a una distancia de 5 pies (1524 mm) entre sí.

Cuando se use(n) el (los) calefactor(es) como única fuente de calor en la habitación, la capacidad del (de los) calefactor(es) debe estar de acuerdo con la pérdida de calor de la habitación. Para lograr un buen control de la temperatura de la habitación, se recomienda usar un termostato de pared de Marley montado en una pared interior.

Para prevenir la alteración del color de algunos materiales de cortinado sintéticos, y para evitar una alteración del color no deseada en paredes, el costado del calefactor debe estar al menos a 1 pulgada (25,4 mm) del pliegue más cercano de los cortinados, y el extremo del calefactor debe estar a no menos de 3 pies (914 mm) de la pared (vea las especificaciones y la Advertencia n.º 6).

Instalación del gabinete en pisos de madera

1. Practique un agujero de 7-3/8" por 14-1/4" (187 mm por 362 mm) en el piso, a 6" (152 mm) como mínimo de la pared, con el lado más largo paralelo a la pared, como se muestra en la Figura 1.
2. Inserte el gabinete en la abertura y sujételo con cuatro clavos.

NOTA: El gabinete puede instalarse con los rebordes de plano contra el piso y la cobertura del piso entre la rejilla y el reborde del gabinete, siempre que la cobertura del piso no sea de más de 3/4" (19,1 mm) de espesor y esté recortada para evitar que alguna porción de ella se extienda más allá del reborde y dentro del gabinete.

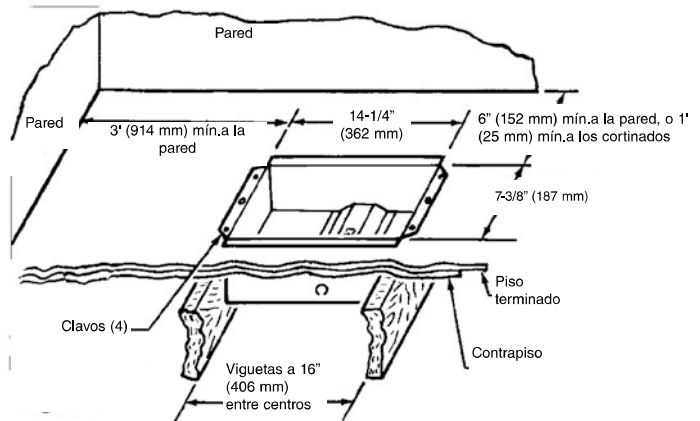


Figura 1

Aviso sobre conexonado

Este calefactor NO tiene un interruptor de desconexión de alimentación incorporado. Para cumplir con el Código Eléctrico Nacional de los EE. UU. de 1993 (Secciones 424-19 y 424-20), las opciones disponibles son las siguientes:

1. El termostato ambiental utilizado para controlar este calefactor debe tener un diseño de doble polo y apagado positivo que desenergice todos los conductores no conectados a tierra en la posición Apagado ('Off'), O.
2. El tablero de servicio del desconectador principal debe estar ubicado al alcance de la vista desde el calefactor, O
3. Los medios de desconexión deben poder bloquearse en la posición abierta.

Cableado del gabinete

1. Pase los cables de alimentación por el prepunzonado deseado, dejando que 6" (152 mm) de cables se extiendan dentro del gabinete, como se muestra en la Figura 2.

NOTA: volumen del compartimiento de cables = 15 pulg.³ (244 cm³).

2. Asegure el cable de tierra al tornillo de tierra que está en el fondo del gabinete.
3. Para el modelo I1500, conecte el cable de alimentación blanco (neutro) al cable blanco del tomacorriente y el cable de alimentación de línea negro al cable negro del tomacorriente, como se muestra en la Figura 2. (Vea también el diagrama de conexonado que se muestra en la Figura 3). Para el I1504, conecte los dos cables de alimentación negros a los dos cables de tomacorriente negros. (Vea el diagrama de conexonado que se muestra en la Figura 3).
4. Instale la cubierta de la caja de conexiones como se muestra en la Figura 2.

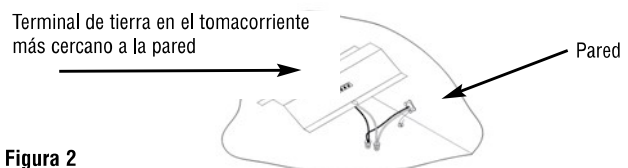


Figura 2

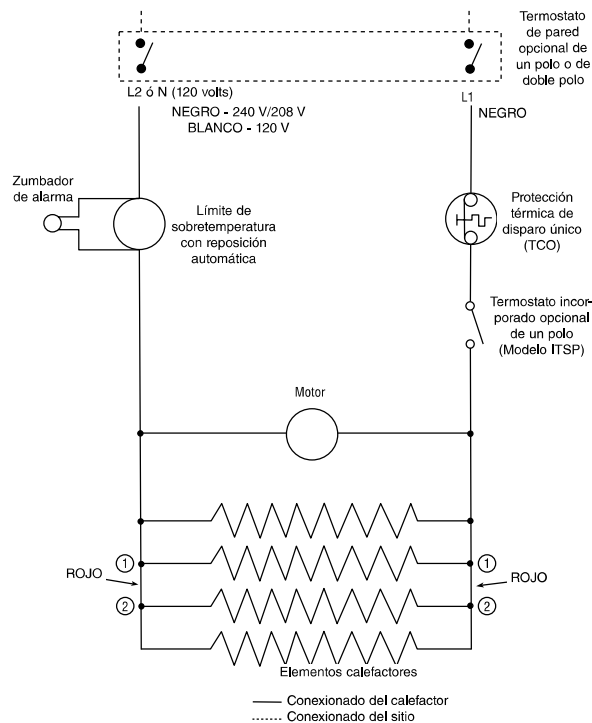


Figura 3

Para reducir la potencia (watts)

La potencia (watts) del calefactor puede reducirse de 1500 W a 750 W quitando los dos (2) puentes de cable rojos (Figura 3).

Montaje del calefactor

NOTA: para unidades con termostato incorporado, el bulbo sensor de temperatura debe colocarse en el costado del calefactor más cercano a la pared, para asegurar la operación más eficiente.

1. Deslice el conjunto de calefactor parcialmente en el gabinete, para que el enchufe pueda insertarse en el tomacorriente de la cubierta de la caja de conexiones.
2. Después de insertar totalmente el enchufe en el tomacorriente, empuje el calefactor hasta su posición y sujételo con los dos (2) tornillos provistos (vea la Figura 4).
3. Si se instala una cobertura de piso después de instalar el gabinete, asegúrese de que no se extienda más allá de los bordes del gabinete. (Vea la Nota 'Instalación del gabinete en pisos de madera').
4. Coloque la rejilla sobre el gabinete y asegúrela con los dos tornillos pintados provistos, como se muestra en la Figura 4.

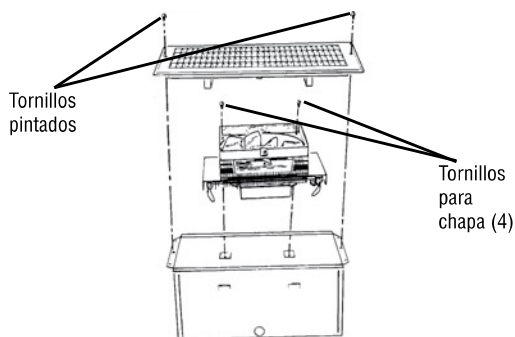


Figura 4

INSTRUCCIONES DE OPERACIÓN

1. El calefactor debe instalarse correctamente antes de ponerlo en funcionamiento.
2. Después de que el calefactor esté montado por completo, haga girar la perilla del termostato en sentido antihorario hasta que el control llegue a un tope. Esta es la posición de calor mínimo.
3. Conecte la alimentación eléctrica al calefactor en el tablero de distribución principal.
4. En esas condiciones, el calefactor no debe funcionar. Si funciona, desconecte la alimentación eléctrica y vuelva a inspeccionar el conexionado.
5. Haga girar la perilla del termostato en sentido horario hasta que llegue a un tope (posición de calor máximo).
6. El calefactor y el ventilador deben encenderse. Si el calefactor y el ventilador no entran en funcionamiento, desconecte la alimentación eléctrica e inspeccione el conexionado.
7. Deje que el calefactor continúe funcionando hasta que la temperatura ambiente alcance el nivel de confort deseado. Luego haga girar la perilla del termostato lentamente en sentido antihorario, hasta que se escuche el 'clic' que indica que el termostato apagó el calefactor.
8. Puede que sea necesario volver a ajustar el termostato una o más veces hasta que se alcance el nivel de confort exacto. La rotación en sentido horario aumentará el tiempo durante el cual el calefactor producirá calor. La rotación en sentido antihorario reducirá el tiempo durante el cual el calefactor está encendido.

NOTA: para obtener los mejores resultados, el calefactor debe permanecer constantemente Encendido ('ON') durante la temporada en que se necesite calefacción, ya que el termostato, siempre que esté correctamente ajustado, mantendrá la temperatura deseada. En la posición extrema en sentido antihorario, el calefactor permanecerá Apagado ('OFF') hasta que la temperatura de la habitación disminuya bien por debajo del punto de congelación.

PRECAUCIÓN ⚠

ATENCIÓN: ALTA TEMPERATURA, RIESGO DE INCENDIO. MANTENGA LOS CABLES ELÉCTRICOS, CORTINADOS, MUEBLES Y OTROS ELEMENTOS COMBUSTIBLES A UNA DISTANCIA DE 3 PIES (0,9 M) DE LA DESCARGA DEL CALEFACTOR COMO MÍNIMO.

Control de seguridad contra sobretemperatura:

Este calefactor está equipado con un control de seguridad contra sobretemperatura que apagará el calefactor si se sobrecalienta. Si se activa este control sonará un zumbador de advertencia, para alertar al usuario de que el calefactor está apagado y requiere atención. Debe revisarse el calefactor para determinar la razón del sobrecalentamiento, y eliminarse los bloqueos, si los hubiera. Vea también 'Instrucciones de limpieza para el usuario' en la sección Mantenimiento. Una vez que el calefactor se haya enfriado, el interruptor de seguridad contra sobretemperatura efectuará la reposición, y el calefactor volverá a su operación normal.

⚠ ADVERTENCIA ⚠

NO ALTERE NI PUENTE NINGÚN LÍMITE DE SEGURIDAD INTERNO DEL CALEFACTOR.

PRECAUCIÓN ⚠

SI EL CONTROL DE SEGURIDAD SE ACTIVA REPETIDAMENTE DESPUÉS DE LA REPOSICIÓN, NO VUELVA A INTENTAR USAR EL CALEFACTOR. SI LO HACE, EL CALEFACTOR PUEDE SUFRIR DAÑOS PERMANENTES, O PROVOCAR UN INCENDIO O RIESGO PARA LA SEGURIDAD.

Nota especial: además del control de seguridad contra sobretemperatura, este calefactor está equipado con un fusible térmico de reserva (disparo único) que apagará permanentemente el calefactor si por alguna razón el control de seguridad contra sobretemperatura no funciona como está previsto. Si se activa este fusible térmico el calefactor no volverá a funcionar, y debe ser reparado por un técnico de servicio calificado.

Es importante mantener limpio este calefactor. Su calefactor le brindará muchos años de servicio y confort con sólo un mínimo de cuidado. Para asegurar un funcionamiento eficiente, observe las instrucciones simples que se indican a continuación.

⚠ ADVERTENCIA ⚠

TODO SERVICIO, MÁS ALLÁ DE UNA SIMPLE LIMPIEZA, QUE REQUIERA UN DESMONTAJE DEBE SER REALIZADO POR PERSONAL DE SERVICIO CALIFICADO.

⚠ ADVERTENCIA ⚠

PARA REDUCIR EL RIESGO DE INCENDIO Y DE CHOQUE ELÉCTRICO O LESIONES, DESCONECTE TODA LA ALIMENTACIÓN ELÉCTRICA QUE LLEGA AL CALEFACTOR EN EL TABLERO PRINCIPAL DE SERVICIO Y VERIFIQUE QUE EL ELEMENTO CALEFACTOR ESTÉ FRÍO ANTES DE PRESTAR SERVICIO O DE REALIZAR EL MANTENIMIENTO.

Instrucciones de limpieza para el usuario:

1. Después de que el calefactor se haya enfriado, puede utilizarse una aspiradora con accesorio de cepillo para eliminar el polvo y la pelusa de las superficies exteriores del calefactor, incluidas las aberturas de la rejilla.
2. Con un paño húmedo, elimine el polvo y la pelusa de la rejilla y las superficies exteriores.
3. Vuelva a conectar la alimentación eléctrica al calefactor y asegúrese de que funcione correctamente.

Instrucciones de limpieza de mantenimiento:

(a realizarse únicamente por personal de servicio calificado)

Al menos una vez por año, un técnico de servicio calificado debe limpiar y prestar servicio al calefactor para garantizar un funcionamiento seguro y eficiente. Esto debe incluir la extracción de la rejilla y, de ser necesario, la extracción del calefactor de la caja posterior para limpiar residuos en la unidad. Después de terminada la limpieza y servicio, el calefactor debe volver a montarse completamente y verificarse que funcione correctamente.

INSTRUCCIONES DE MANTENIMIENTO

Es importante mantener limpio este calefactor. Su calefactor le brindará muchos años de servicio y confort con sólo un mínimo de cuidado. Para asegurar un funcionamiento eficiente, observe las instrucciones simples que se indican a continuación.

⚠ ADVERTENCIA ⚠

TODO SERVICIO, MÁS ALLÁ DE UNA SIMPLE LIMPIEZA, QUE REQUIERA UN DESMONTAJE DEBE SER REALIZADO POR PERSONAL DE SERVICIO CALIFICADO.

⚠ ADVERTENCIA ⚠

PARA REDUCIR EL RIESGO DE INCENDIO Y DE CHOQUE ELÉCTRICO O LESIONES, DESCONECTE TODA LA ALIMENTACIÓN ELÉCTRICA QUE LLEGA AL CALEFACTOR EN EL TABLERO PRINCIPAL DE SERVICIO Y VERIFIQUE QUE EL ELEMENTO CALEFACTOR ESTÉ FRÍO ANTES DE PRESTAR SERVICIO O DE REALIZAR EL MANTENIMIENTO.

Instrucciones de limpieza para el usuario:

1. Después de que el calefactor se haya enfriado, puede utilizarse una aspiradora con accesorio de cepillo para eliminar el polvo y la pelusa de las superficies exteriores del calefactor, incluidas las aberturas de la rejilla.
2. Con un paño húmedo, elimine el polvo y la pelusa de la rejilla y las superficies exteriores.
3. Vuelva a conectar la alimentación eléctrica al calefactor y asegúrese de que funcione correctamente.

Instrucciones de limpieza de mantenimiento:

(a realizarse únicamente por personal de servicio calificado)

Al menos una vez por año, un técnico de servicio calificado debe limpiar y prestar servicio al calefactor para garantizar un funcionamiento seguro y eficiente. Esto debe incluir la extracción de la rejilla y, de ser necesario, la extracción del calefactor de la caja posterior para limpiar residuos en la unidad. Después de terminada la limpieza y servicio, el calefactor debe volver a montarse completamente y verificarse que funcione correctamente.

GARANTÍA LIMITADA

Todos los productos fabricados por Indeeco están garantizados contra defectos de fabricación y de materiales por 1 año desde la fecha de compra, excepto los elementos calefactores los cuales están garantizados contra defectos en manufactura y materiales durante 5 años a partir de la fecha de compra. Esta garantía no se aplica a daños debidos a accidente, mal uso o alteración, ni a los casos en que la tensión eléctrica conectada supere a la tensión nominal indicada en la placa de características- en más de 5 %, ni a equipos que hayan sido instalados o cableados incorrectamente, o mantenidos en forma que no cumpla lo indicado en las instrucciones de instalación del producto. Esta garantía no se aplica a los productos reacondicionados. Todo reclamo por trabajos en garantía debe acompañarse con una prueba de la fecha de compra.

El cliente será responsable de todos los costos incurridos en el retiro o reinstalación de productos, incluyendo los costos de mano de obra y los costos de envío incurridos para regresar productos a un Centro de Servicio de Indeeco. Dentro de las limitaciones de esta garantía, las unidades que no funcionan deben regresarse al centro de servicio autorizado Indeeco más cercano, o al Centro de Servicio de Indeeco, y nosotros lo repararemos o reemplazaremos, a nuestra opción, sin cargo para usted, con el flete de retorno pagado por Indeeco. Se acuerda que tal reparación o reemplazo es el único recurso que Indeeco pone a su disposición.

LAS GARANTÍAS EXPUESTAS MÁS ARRIBA TOMAN EL LUGAR DE TODA OTRA GARANTÍA, EXPRESA O IMPLÍCITA, Y POR LA PRESENTE SE DECLINA Y EXCLUYE DE ESTE ACUERDO TODA GARANTÍA IMPLÍCITA DE COMERCIABILIDAD Y ADECUACIÓN A UN PROPÓSITO PARTICULAR QUE EXCEDA LAS GARANTÍAS EXPRESAS ANTEDICHAS. INDEECO NO SE HARÁ RESPONSABLE POR DAÑOS CONSIGUIENTES QUE SE PRODUZCAN CON RESPECTO AL PRODUCTO, EN BASE YA SEA A NEGLIGENCIA, AGRAVIO, RESPONSABILIDAD ESTRUCTIVA, O CONTRATO.

Algunos estados o jurisdicciones no permiten la exclusión o limitación de daños incidentales o consiguientes, de modo que la exclusión o limitación expresada más arriba puede no aplicarse a su caso. Esta garantía le da derechos legales específicos, y usted puede tener también otros derechos, que varían de un estado o jurisdicción a otro.

Para obtener la dirección de su centro de servicio autorizado más cercano comuníquese con Indeeco en St Louis, MO, Estados Unidos, llamando al 314-644-4300. Toda mercadería regresada a la fábrica debe ser acompañada por una autorización de retorno y una etiqueta de identificación de servicio, disponibles ambas en Indeeco. Cuando solicite la autorización de retorno, incluya todos los números de catálogo mostrados en los productos.

CÓMO OBTENER SERVICIO EN GARANTÍA, PIEZAS DE REPUESTO E INFORMACIÓN GENERAL

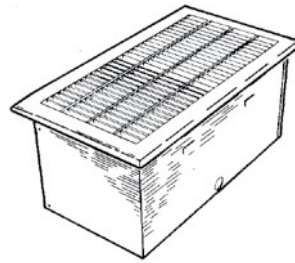
- | | |
|--|------------------------|
| 1. Servicio o repuestos en garantía | 314-644-4300 |
| 2. Información general sobre productos | www.indeeco.com |

Nota: cuando solicite servicio, siempre dé la información que sigue:

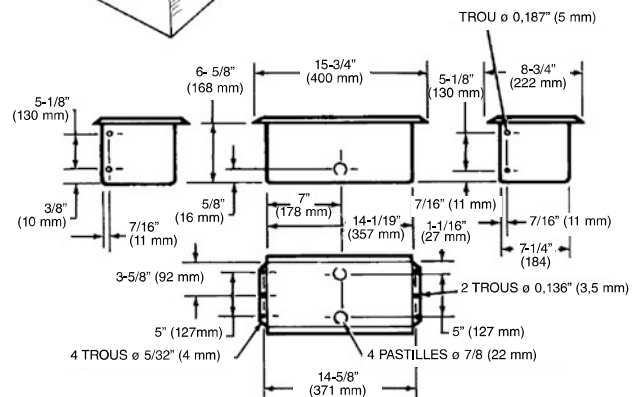
1. Número de modelo del producto
2. Fecha de fabricación
3. Número de parte o descripción

INDEECO 

St Louis, MO 63144 USA



939 Series Radiateurs de plancher encastrés



Instructions d'installation, d'utilisation et d'entretien

Spécifications

Modèle	Volts	Wattage	Ampères
939IW-11500-G	120	1500/750	12,5/6,3
939IW-11504-G	240	1500/750	6,3/3,1
	208	1125/563	5,4/2,7

INSTRUCTIONS IMPORTANTES

AVERTISSEMENT

LORS DE L'UTILISATION D'APPAREILS ÉLECTRIQUES, DES PRÉCAUTIONS DE BASE DOIVENT TOUJOURS ÊTRE SUIVIES AFIN DE RÉDUIRE LE RISQUE DE DÉPART D'INCENDIE, DE COMMOTION ÉLECTRIQUE ET DE BLESSURES AUX PERSONNES, INCLUANT CELLES QUI SUIVENT :

- Lisez toutes les instructions avant d'installer ou d'utiliser le radiateur.
- Ce radiateur est chaud quand il est en fonctionnement. Pour éviter des brûlures, ne laissez pas de peau nue toucher ses surfaces chaudes. Maintenez les matières combustibles comme le mobilier, les oreillers, la literie, les papiers, les vêtements et les couvertures, à au moins 3 pieds (90 cm) de distance de l'avant du radiateur.
- Il faut faire très attention quand un radiateur quelconque est utilisé par des enfants ou des personnes invalides ou près d'eux, et à chaque fois que le radiateur est laissé en marche sans surveillance.
- N'utilisez plus un radiateur s'il a présenté des dysfonctionnements. Débranchez son alimentation au panneau de distribution du secteur et faites-le inspecter par un bon électricien avant de le réutiliser.
- Ne l'utilisez pas à l'extérieur.
- Pour déconnecter le radiateur, passez sa commande sur arrêt (Off) et coupez le secteur en amont au panneau de distribution.
- N'insérez pas d'objets étrangers, et ne permettez pas qu'il en entre, dans toute ouverture d'admission ou d'évacuation, car cela peut causer une commotion électrique ou un départ d'incendie, ou endommager le radiateur.
- Pour éviter un possible départ d'incendie, n'obstruez en aucune façon les admissions et les échappements d'air.
- Un radiateur comporte à l'intérieur des parties chaudes, et pouvant produire un arc ou des étincelles électriques. Ne l'utilisez pas dans des zones où de l'essence ou des liquides inflammables sont utilisés ou entreposés.
- N'utilisez ce radiateur que comme c'est décrit dans ce manuel. Toute autre utilisation non recommandée par le constructeur peut causer un départ d'incendie, une commotion électrique ou des blessures corporelles.
- Ce radiateur est fourni avec un avertisseur sonore qui ne retentira que si le radiateur a été coupé suite à une surchauffe. Si vous entendez cette alerte sonore, arrêtez immédiatement le radiateur et inspectez pour voir s'il y a des objets dessus ou à côté qui pourraient avoir bloqué le flux d'air ou avoir fait qu'une surchauffe soit survenue. **NE FAITES PAS FONCTIONNER LE RADIATEUR AVEC L'AVERTISSEUR SONORE ACTIVÉ.**
- Ce radiateur est prévu pour des applications de chauffage de confort, et n'est pas conçu pour une utilisation dans des endroits spéciaux. Ne l'utilisez pas dans des lieux humides ou mouillés, tels que dans un contexte marin ou une serre, ou dans des endroits où il y a présence d'agents corrosifs ou chimiques.
- Lors de l'installation, voyez les INSTRUCTIONS D'INSTALLATION pour des mises en gardes et précautions supplémentaires.
- Pour un fonctionnement sûr et efficace, et pour prolonger sa durée de service, gardez votre radiateur propre – Voyez les INSTRUCTIONS D'ENTRETIEN.

CONSERVEZ CES INSTRUCTIONS

INSTRUCTIONS D'INSTALLATION

⚠ AVERTISSEMENT ⚠

Pour éviter un possible départ d'incendie, des blessures corporelles ou des dommages au radiateur, respectez ces consignes :

1. Débranchez toute alimentation secteur arrivant au panneau de service principal avant de câbler ou d'intervenir pour du service.
2. Toutes les procédures de câblage et les raccordements doivent être en conformité avec les normes nationales et locales applicables, et le radiateur doit être relié à la terre.
3. L'alimentation secteur doit entrer dans l'enceinte au travers des pastilles à enfoncer.
4. Vérifiez que la tension du secteur arrivant au radiateur correspond bien aux valeurs spécifiées sur sa plaque signalétique.

ATTENTION : Alimenter le radiateur avec une tension supérieure à celle imprimée sur sa plaque signalétique l'endommagerait, annulerait sa garantie et pourrait provoquer un départ d'incendie.

5. **ATTENTION –** Température élevée et risque de départ d'incendie, gardez les cordons électriques, les draperies et textiles d'intérieur, et d'autres matières combustibles, à au moins 3 pieds (90 cm) du radiateur. N'installez pas le radiateur derrière des portes, sous des porte-serviettes ou dans une zone où il est susceptible d'être bloqué par des meubles, des rideaux ou des matériaux de rangement. L'air chaud venant du radiateur peut endommager certains tissus et plastiques.
6. Pour réduire le risque de départ d'incendie, n'entreposez pas et n'utilisez pas d'essence ou d'autres produits inflammables sous forme de liquide ou de vapeurs à proximité du radiateur.
7. Ce radiateur doit être utilisé exclusivement monté dans le sol. NE l'installez PAS sur un mur, au plafond ou d'une quelconque façon avec laquelle le flux d'air au travers du radiateur pourrait être obstrué. NE l'installez PAS sans une enceinte.
8. Les écartements suivants doivent être respectés :
 - Des côtés du radiateur à un mur adjacent - 6" (152 mm).
 - Des côtés du radiateur à des draperies - 1" (25 mm) jusqu'au pan le plus proche
 - De l'extrémité du radiateur au mur - 36" (915 mm).
9. Ne faites pas fonctionner le radiateur sans que sa grille soit en place.
10. Ce radiateur n'est pas prévu pour une utilisation dans des endroits humides où il pourrait être exposé à de l'eau.

Généralités

Quand vous installez un ou plusieurs radiateurs comme barrière contre le courant d'air sous des fenêtres, il est recommandé que leur capacité corresponde à la perte thermique de la zone vitrée. Par ailleurs la dispersion de chaleur de chaque radiateur se fait sur environ 5 pieds (152,4 cm), donc pour protéger de façon continue du courant d'air les radiateurs devront être espacés de cette même distance.

En cas d'utilisation du ou des radiateurs comme seul moyen de chauffage dans la pièce, leur capacité doit correspondre à la perte thermique de cette pièce. Pour bien contrôler la température ambiante de la pièce, un thermostat Marley à montage sur une cloison intérieure est recommandé.

Pour éviter une décoloration de certains tissus synthétiques de draperies, et pour éviter d'affecter les murs, le côté du radiateur doit être à au moins 1 pouce (25,4 mm) du pan de draperie le plus proche, et l'extrémité du radiateur ne doit pas être à moins de 3 pieds (91,4 cm) du mur le plus proche (Voyez les spécifications et l'avertissement N° 8).

Installation d'une enceinte dans des planchers en bois

1. Fournissez une ouverture de 7-3/8" sur 14-1/4" (18,7 x 36,2 cm) dans le plancher, à au moins 6" (15,2 cm) du mur, avec son côté le plus long parallèle au mur ou à la cloison, comme c'est montré en Figure 1.
2. Insérez l'enceinte dans cette ouverture et fixez-la avec quatre clous.

REMARQUE : L'enceinte peut être installée avec ses brides à plat sur le plancher, et le revêtement de sol entre la grille et la bride d'enceinte, dans la mesure où ce revêtement n'est pas plus épais que 3/4" (19,1 mm) et est coupé de sorte qu'aucune de ses portions ne dépasse la bride et n'entre dans l'enceinte.

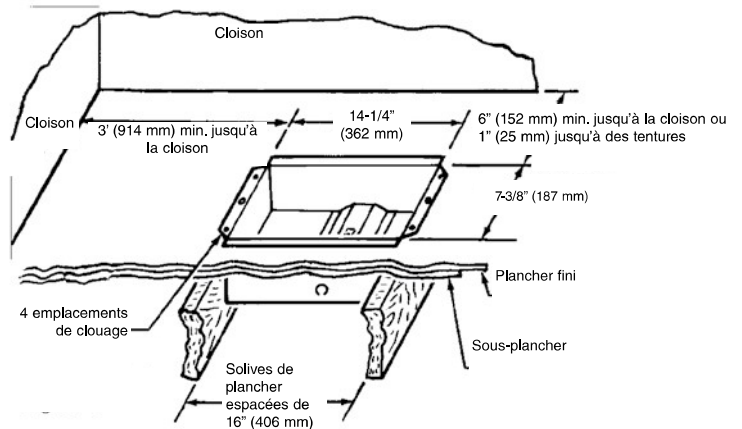


Figure 1

Avis pour le câblage

Ce radiateur n'est PAS fourni avec un interrupteur de coupure intégré. Pour respecter la norme électrique américaine de 1993 (NEC, Sections 424-19 et 424-20) voici les options disponibles :

1. Soit le thermostat de la pièce utilisé pour contrôler ce radiateur sera bipolaire, de type à blocage en état positif, qui coupera les conducteurs du secteur - autres que la terre - dans sa position d'arrêt (Off)
2. Soit le tableau de coupure générale d'alimentation secteur sera placé en vue du radiateur
3. Soit le dispositif de coupure pourra être verrouillé en position ouverte.

Câblage de l'enceinte

1. Amenez le câble d'alimentation secteur au travers de la pastille à enfoncer voulue, en laissant 6" (152 mm) de fils dépasser dans l'enceinte, comme c'est montré en Figure 2.

REMARQUE : Volume du compartiment de câblage – 15 pouces³ (244 cm³)

2. Fixez le fil d'arrivée de terre avec la vis de terre en bas de l'enceinte.
3. Pour le modèle I1500, branchez le fil d'alimentation secteur blanc (correspondant au Neutre) sur le fil de prise blanc, et le noir (Phase) sur le fil de prise noir, comme c'est montré en Figure 2 (Consultez aussi le schéma de câblage de la Figure 3). Pour le modèle I1504 branchez les deux fils d'alimentation noirs sur les deux fils noirs du réceptacle (Consultez le schéma de câblage de la Figure 3).
4. Installez le couvercle de boîtier de raccordement comme c'est montré en Figure 2.

Borne de terre dans la prise
la plus proche de la cloison

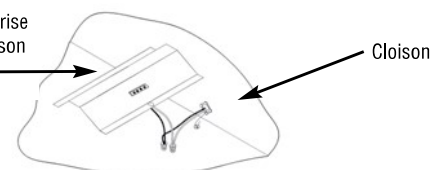


Figure 2

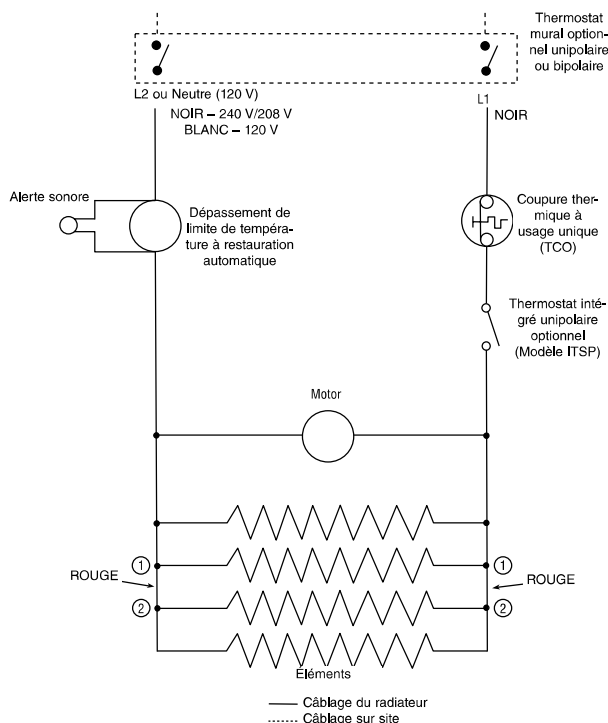


Figure 3

Réduction de la puissance

La puissance du radiateur peut être réduite de 1500 à 750 W en enlevant deux (2) cavaliers rouges (Figure 3).

Montage du radiateur

REMARQUE : Pour les radiateurs à thermostat intégré, le bulbe de détection de température doit être situé sur le côté du radiateur le plus proche du mur, pour le fonctionnement le plus efficace.

1. Faites glisser l'ensemble de radiateur dans l'enceinte partiellement de façon à pouvoir insérer la fiche dans la prise du couvercle de boîtier de raccordement.
2. Une fois la fiche bien insérée dans la prise, poussez le radiateur vers le bas en position et fixez-le avec les deux (2) vis fournies (Voyez la Figure 4).
3. Si un revêtement de plancher est installé après l'installation de l'enceinte, assurez-vous qu'il ne s'étende pas plus loin que les bords de l'enceinte (Voyez "Installation d'une enceinte dans des planchers en bois").
4. Placez la grille par-dessus l'enceinte et fixez-la avec les deux vis peintes fournies, comme c'est montré en Figure 4.

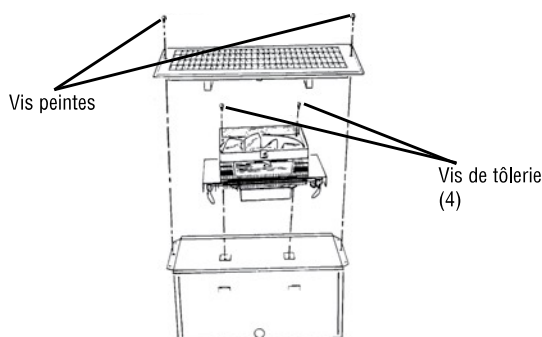


Figure 4

INSTRUCTIONS D'UTILISATION

1. Le radiateur doit être correctement installé avant d'être mis en marche.
2. Une fois le radiateur complètement assemblé, tournez le bouton de thermostat complètement en sens antihoraire jusqu'à l'arrêt. C'est le réglage de consigne minimale de température.
3. Mettez le radiateur en marche (ON) au panneau de commande principal.
4. Le radiateur ne doit pas démarrer. S'il démarrait coupez son alimentation et revérifiez le câblage.
5. Tournez le thermostat en sens horaire complètement jusqu'à la butée.
6. Radiateur et ventilateur doivent s'activer. Si le radiateur et le ventilateur ne démarrent pas, débranchez l'alimentation et vérifiez le câblage.
7. Laissez le radiateur continuer de fonctionner jusqu'à ce que la température de la pièce atteigne le niveau confortable souhaité. Tournez alors le bouton du thermostat en sens antihoraire jusqu'à l'obtention d'un déclic.
8. Il peut être nécessaire de réajuster le thermostat une ou deux fois jusqu'à ce que la température exacte de confort soit obtenue. Une rotation en sens horaire va augmenter la durée pendant laquelle le radiateur va chauffer. Une rotation en sens antihoraire va réduire la durée de fonctionnement du radiateur.

REMARQUE : Pour obtenir les meilleurs résultats, le radiateur doit rester en marche (ON) en permanence durant la saison de chauffage, du fait que le thermostat quand il est bien réglé maintiendra la température désirée. Mis en position antihoraire à fond, le radiateur restera arrêté jusqu'à ce que la température ambiante retombe bien au delà du niveau de gel.

ATTENTION ⚠

TEMPÉRATURE ÉLEVÉE ET RISQUE DE DÉPART D'INCENDIE : GARDEZ LES CORDONS ÉLECTRIQUES, LES DRAPERIES ET RIDEAUX, ET LES AUTRES MATIÈRES COMBUSTIBLES, À UNE DISTANCE D'AU MOINS 3 PIEDS (90 CM) DU SOUFFLAGE DE RADIATEUR.

Contrôle de sécurité du dépassement de température :

Le radiateur est fourni avec un contrôle de sécurité sur emballement thermique, qui le coupera en cas de surchauffe. Si ce contrôle se déclenche, une alerte sonore va retentir pour prévenir l'occupant que le radiateur est coupé et nécessite une intervention. Le radiateur doit être contrôlé pour déterminer la raison de la surchauffe et éliminer tous blocages éventuels. Consultez également les instructions de nettoyage dans la section sur l'entretien. Une fois que le radiateur a refroidi le contrôle de sécurité sur dépassement de température va se restaurer et le radiateur va repasser en fonctionnement normal.

⚠ AVERTISSEMENT ⚠

NE TOUCHEZ PAS ET NE CONTOURNEZ PAS LES LIMITES DE SÉCURITÉ À L'INTÉRIEUR DU RADIATEUR.

ATTENTION ⚠

NE CONTINUEZ PAS D'ESSAYER D'UTILISER LE RADIATEUR SI SON CONTRÔLE DE SÉCURITÉ SE DÉCLENCHE À RÉPÉTITION APRÈS SA RESTAURATION. EN LE FAISANT VOUS POURRIEZ L'ENDOMMAGER DE FAÇON IRRÉMÉDIABLE OU CAUSER UN DÉPART D'INCENDIE OU DES RISQUES POUR LA SÉCURITÉ.

Note spéciale : En plus d'un contrôle de sécurité sur surchauffe, le radiateur est fourni avec un fusible thermique de secours (un seul usage) qui coupera le radiateur de façon permanente si pour une quelconque raison le contrôle de sécurité sur surchauffe n'avait pas fonctionné comme prévu.

Si ce fusible thermique grille, le radiateur ne se restaurera pas et il fau-

dra le faire réparer par une personne qualifiée.

Il est important de garder propre ce radiateur. Votre radiateur vous fournira des années de bon service et de confort avec juste un minimum de soins. Pour assurer son fonctionnement efficace, suivez les instructions simples ci-dessous :

⚠ AVERTISSEMENT ⚠

TOUTE INTERVENTION DE SERVICE AU-DELÀ D'UN SIMPLE NETTOYAGE, QUI NÉCESSITE UN DÉMONTAGE, DEVRA ÊTRE RÉALISÉE PAR DU PERSONNEL DE SERVICE QUALIFIÉ.

⚠ AVERTISSEMENT ⚠

POUR RÉDUIRE LE RISQUE DE DÉPART D'INCENDIE ET DE COM-MOTION ÉLECTRIQUE OU DE BLESSURE, DÉBRANCHEZ TOUTE ALIMENTATION ÉLECTRIQUE ALLANT AU RADIATEUR EN AMONT AU PANNEAU DE SERVICE, ET VÉRIFIEZ QUE L'ÉLÉMENT DE CHAUFFE EST FROID AVANT D'INTERVENIR POUR DU SERVICE OU DE L'ENTRETIEN.

Instructions de nettoyage par l'utilisateur :

1. Une fois que le radiateur est froid, vous pouvez utiliser un aspirateur avec son accessoire brosse pour éliminer la poussière et les peluches des surfaces extérieures du radiateur, y compris les ouvertures de la grille.
2. Avec un chiffon humide, enlevez poussière et peluche de la grille et des surfaces extérieures.
3. Remettez le radiateur sous tension et vérifiez son bon fonctionnement.

Instructions de nettoyage d'entretien :

(Ne doit être exécuté que par du personnel de service qualifié)

Au moins une fois par an le radiateur doit être nettoyé et vérifié par une personne de service qualifiée afin d'assurer un fonctionnement sûr et efficace. Cela doit inclure la dépose de la grille et si nécessaire la sortie du radiateur du boîtier arrière, afin de nettoyer les résidus de l'appareil. Une fois le nettoyage et le service terminés, le radiateur doit être complètement remonté et son bon fonctionnement vérifié.

INSTRUCTIONS D'ENTRETIEN

Il est important de garder propre ce radiateur. Votre radiateur vous fournira des années de bon service et de confort avec juste un minimum de soins. Pour assurer son fonctionnement efficace, suivez les instructions simples ci-dessous :

⚠ AVERTISSEMENT ⚠

TOUTE INTERVENTION DE SERVICE AU-DELÀ D'UN SIMPLE NETTOYAGE, QUI NÉCESSITE UN DÉMONTAGE, DEVRA ÊTRE RÉALISÉE PAR DU PERSONNEL DE SERVICE QUALIFIÉ.

⚠ AVERTISSEMENT ⚠

POUR RÉDUIRE LE RISQUE DE DÉPART D'INCENDIE ET DE COM-MOTION ÉLECTRIQUE OU DE BLESSURE, DÉBRANCHEZ TOUTE ALIMENTATION ÉLECTRIQUE ALLANT AU RADIATEUR EN AMONT AU PANNEAU DE SERVICE, ET VÉRIFIEZ QUE L'ÉLÉMENT DE CHAUFFE EST FROID AVANT D'INTERVENIR POUR DU SERVICE OU DE L'ENTRETIEN.

Instructions de nettoyage par l'utilisateur :

1. Une fois que le radiateur est froid, vous pouvez utiliser un aspirateur avec son accessoire brosse pour éliminer la poussière et les peluches des surfaces extérieures du radiateur, y compris les ouvertures de la grille.
2. Avec un chiffon humide, enlevez poussière et peluche de la grille et des surfaces extérieures.
3. Remettez le radiateur sous tension et vérifiez son bon fonctionnement.

Instructions de nettoyage d'entretien :

(Ne doit être exécuté que par du personnel de service qualifié)

Au moins une fois par an le radiateur doit être nettoyé et vérifié par une personne de service qualifiée afin d'assurer un fonctionnement sûr et efficace. Cela doit inclure la dépose de la grille et si nécessaire la sortie du radiateur du boîtier arrière, afin de nettoyer les résidus de l'appareil. Une fois le nettoyage et le service terminés, le radiateur doit être complètement remonté et son bon fonctionnement vérifié.

GARANTIE LIMITÉE

Tous les produits fabriqués par Indeeco sont garantis contre les défauts de fabrication et de matériau pendant une année à compter de leur date d'achat, sauf les éléments chauffants, lesquels sont garantis contre les défauts de fabrication et de matériau pendant 5 ans à compter de la date d'achat. Cette garantie ne couvre pas les dommages causés par un accident, une mauvaise utilisation ou une altération et ne s'applique pas si la tension d'alimentation dépasse de 5% ou plus celle de la plaque signalétique, si l'équipement est mal installé, mal câblé ou mal entretenu, contrairement aux instructions d'installation et d'utilisation du produit. Cette garantie ne s'applique pas aux produits remis à neuf. Toutes les réclamations sous garantie doivent être accompagnées d'une preuve de date d'achat.

Le client doit être responsable de tous les coûts occasionnés pour le démontage ou la réinstallation des produits, incluant les coûts de main-d'oeuvre, et les coûts d'expédition pour renvoyer les produits au centre de service de Indeeco. Dans le cadre des limitations de cette garantie, les unités ne fonctionnant pas doivent être renvoyées au centre de service agréé Indeeco le plus proche, ou directe au centre de service de Indeeco, où ils seront réparés ou remplacés, à notre choix, sans frais pour vous avec le port de retour payé par Indeeco. Il est convenu que cette réparation ou ce remplacement sera le seul remède à attendre de Indeeco.

LES GARANTIES QUI PRÉCÈDENT TIENNENT LIEU DE TOUTES LES AUTRES GARANTIES, EXPLICITES OU IMPLICITES, ET TOUTES LES GARANTIES IMPLICITES DE VALEUR MARCHANDE ET D'ADÉQUATION POUR UNE FINALITÉ SPÉCIFIQUE QUI EXCÉDERAIENT LES DISPOSITIONS DE GARANTIE PRÉCÉDEMMENT ÉNONCÉES SONT ICI REJETÉES ET EXCLUES DE CET ACCORD. INDEECO NE SERA PAS TENU POUR RESPONSABLE DES DOMMAGES CONSÉCUTIFS SURVENANT EN RELATION AVEC LE PRODUIT, QU'ILS SOIENT À BASE DE NÉGLIGENCE, TORT, RESPONSABILITÉ PURE OU CONTRACTUELLE.

Certains États ne permettent pas l'exclusion ou la limitation des dommages consécutifs ou annexes, de ce fait l'exclusion ou la limitation qui précède peut ne pas s'appliquer à votre cas. Cette garantie vous donne des droits légaux spécifiques, qui varient d'un État à un autre. Pour obtenir l'adresse de votre centre de service agréé le plus proche, contactez Indeeco à St Louis, MO, USA, au 314-644-4300. Toute marchandise retournée à l'usine doit être accompagnée d'une autorisation de renvoi et d'une étiquette d'identification pour le service, ces deux documents étant disponibles auprès de Indeeco. En demandant une autorisation de retour, fournissez tous les numéros de catalogue indiqués sur les produits.

COMMENT OBTENIR DU SERVICE ET DES PIÈCES DANS LE CADRE DE LA GARANTIE ET DES INFORMATIONS GÉNÉRALES

- | | |
|--|------------------------|
| 1. Service ou pièces sous garantie | 314-644-4300 |
| 2. Informations générales sur les produits | www.indeeco.com |

Remarque : Pour obtenir le service sous garantie vous devez toujours avoir préparé:

1. Référence de modèle du produit
2. Date de fabrication
3. Numéro ou description de pièce

INDEECO®

St Louis, MO 63144 USA