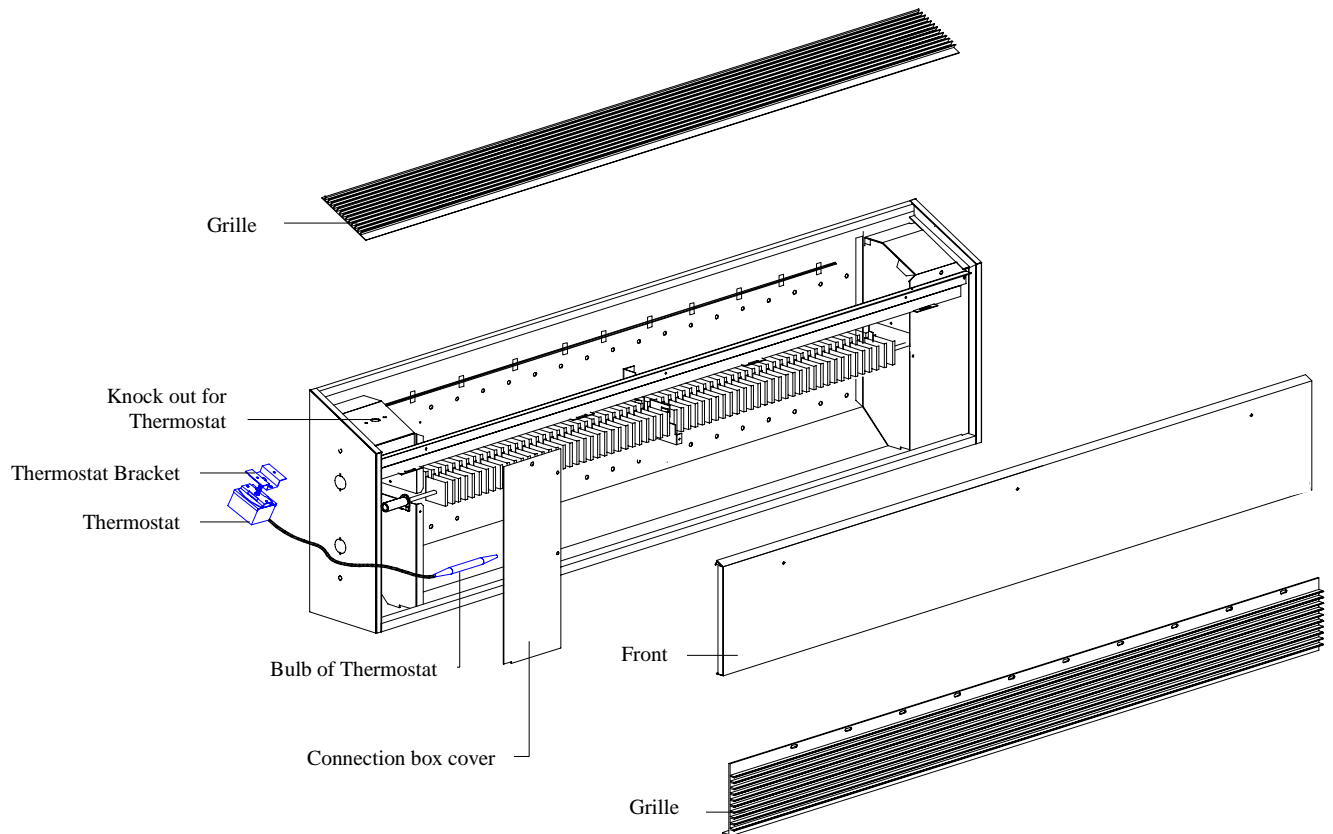




# INSTALLATION, OPERATION AND MAINTENANCE INSTRUCTIONS FOR INDEECO ARCHITECTURAL BASEBOARD HEATER WITH SLOPED TOP AND ARCHITECTURAL CONVECTOR WITH SLOPED TOP FOR BUILT-IN THERMOSTAT OPTION "BASI/CASI SERIES"

1. Remove the front, the two grilles and the connection box cover on the left side.
2. Remove the knockout on top of the connection box.
3. Mount the thermostat with the bracket provided.
4. Mount the thermostat bulb with the holder provided.



425 Hanley Industrial Court • St. Louis, MO 63144  
Phone: (314) 644-4300 Fax: (314) 644-5332  
[www.indeeco.com](http://www.indeeco.com)