

INSTALLATION INSTRUCTIONS

Options - Kit of Thermostats

THE INSTALLATION MUST BE EXECUTED BY A QUALIFIED TECHNICIAN



**CAUTION - DISCONNECT ALL POWER SUPPLIES
BEFORE WORKING ON ANY CIRCUIT.**

INSTALLATION:

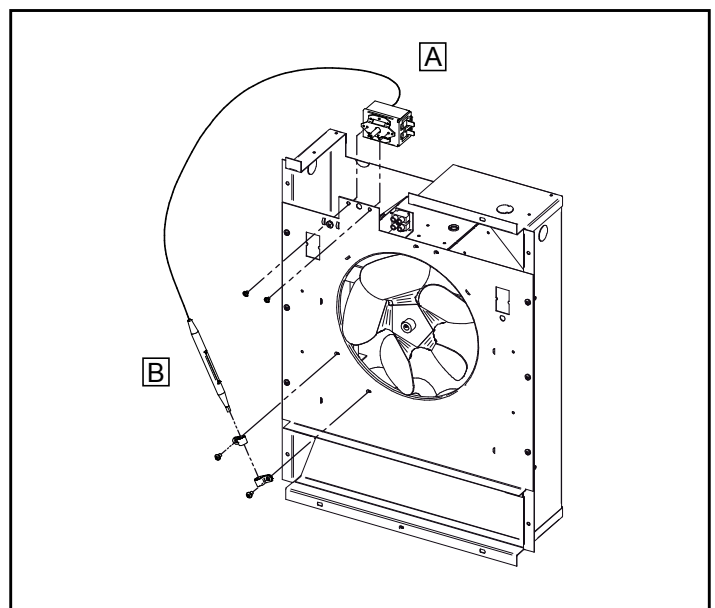
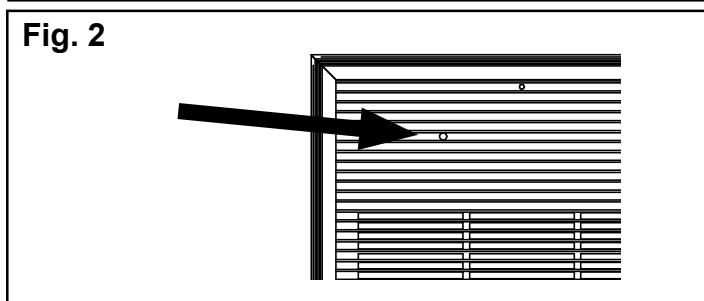
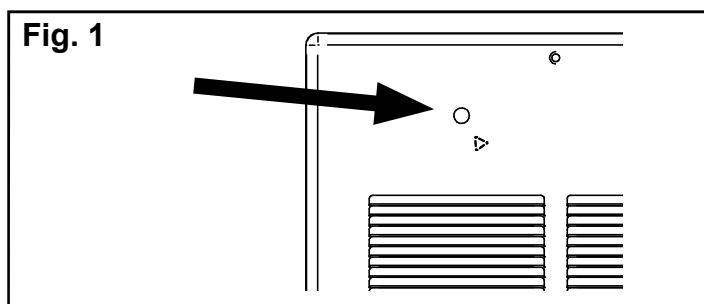
1. Remove front panel of heater.
2. Install thermostat at the back of the fan support with the existing holes using the provided screws. (Item A)
3. Secure bulb on the front side of the fan support using the two nylon straps and the provided screws. (Item B)
4. Connect the provided wires on the thermostat connectors.
5. Connect the other end of these wires directly into the terminal block (T1 and T2).
Do not interrupt power supply to control this heater.
6. Replace front panel and reconnect power supply.
7. Check thermostat by temporarily setting thermostat at maximum temperature then at minimum.
To set thermostat at the desired temperature, follow these steps:
 - Set thermostat at maximum temperature (turn clockwise).
 - When the desired temperature is reached, turn the thermostat counter-clockwise slowly until you hear a "click".
 - The thermostat will keep this room temperature.

If you have a front device as shown in Fig. 1:

- Built-in thermostat with control knob:
Install the control knob thermostat on the thermostat's stem in the hole on the front cover.
The setting can be done with the supplied knob, located on the front cover.
- Built-in tamperproof thermostat:
The setting can be done through the hole in the front cover with a small slotted screwdriver.

If you have a front device as shown in Fig. 2:

- Built-in tamperproof thermostat:
The built-in thermostat can be set with a small screwdriver through the upper grille.



INS121-200604-04