



Phone : (314) 644-4300, Fax : (314) 644-5332
www.indeeco.com

Instructions for the installation of the Tamperproof Thermostat Kit of the Fan-Froced Ceiling Heater “CDI/CDIR Series”

CAUTION

Disconnect all power supplies before working on any circuit.

- 1) Remove the cover of the heater.
- 2) Install the thermostat mounting bracket in the junction box. (Fig.1 for model CDI).
Note: The thermostat mounting bracket is included in the model CDIR.
- 3) Install the thermostat on its mounting bracket. (Fig.2a for model CDI) and (Fig.2b for model CDIR).
- 4) Get the thermostat bulb pass into the opening located at the left hand of the junction box (under the heating elements). (Fig.3).
- 5) Secure bulb on the external side of the junction box by using the two nylon straps. (Fig.3)
- 6) Connect the two provided wires from the thermostat to the control terminal block T1 and T2. Refer to the wiring diagram of the heater.
- 7) For the model CDI only:
Drill a 12.7 mm (1/2 in) of diameter hole on the side of the heater cover. The hole gives an access to adjust the thermostat with a screwdriver.
Note: A punch mark point the exact drill spot.
- 8) Replace the cover of the heater
- 9) Check thermostat by temporally setting it at maximum temperature and then, at the minimum. Adjust the thermostat at the desired set point.
Note: For the model CDIR the thermostat is adjustable through the grill.
- 10) For the model CDI only: Insert the provided cap in the hole to hide the thermostat access.

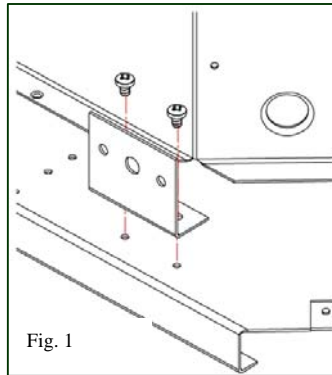


Fig. 1

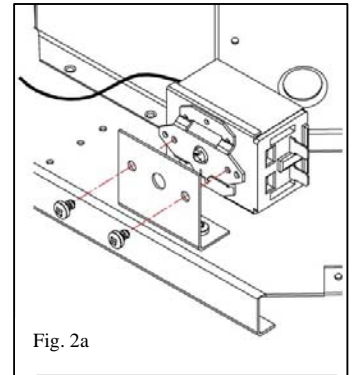


Fig. 2a

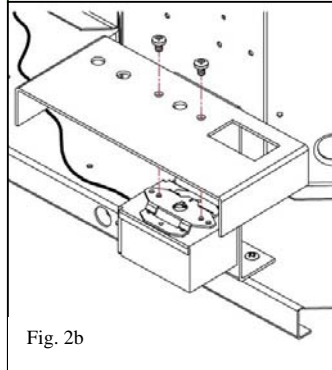


Fig. 2b

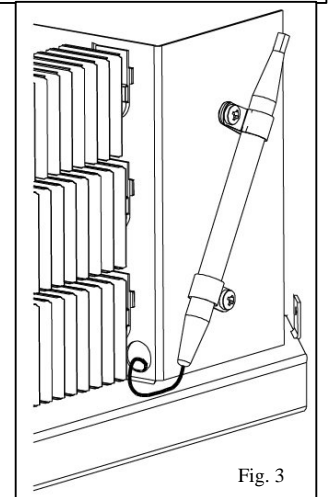


Fig. 3

KEEP THIS INSTRUCTION PAMPHLET FOR THE USER.

INS160-200402-00

