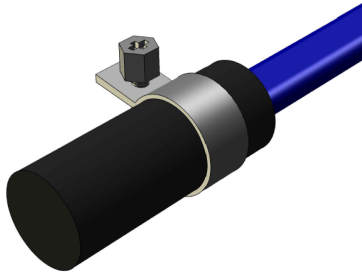


END SEAL KIT ESA-81

For use with HSR Series Cable Families
Installation Instructions



Approvals



Non Hazardous & Hazardous Locations
Class I, Div. 2, Group A, B, C, D
Class II, Div. 2, Group F, G, Class III

Kit Contents

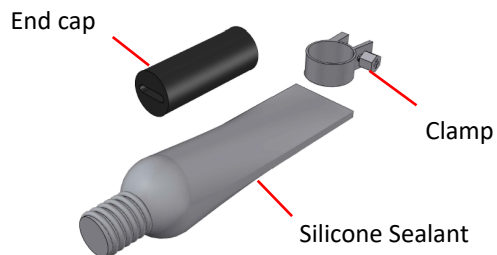
Qty	Description
1	End cap
1	Clamp
1	Sealant

Kit Description

The ESA-81 end seal kit is designed for making the end seal termination for Heating Cables in ordinary and Division 2 locations.

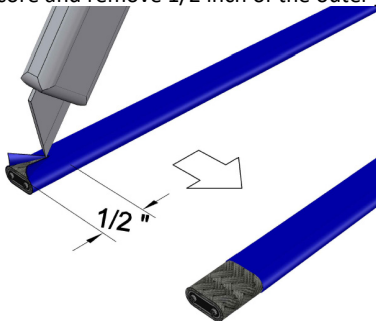
Tools Required

- Flat-head screwdriver
- Diagonal cutting pliers
- Utility knife or razor blade
- Phillips screwdriver
- Barrell crimp tool (for cables without outer jacket)

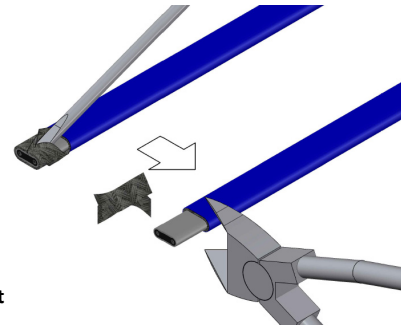


Installation for Heating Cable with Ground Braid and Overjacket

- 1**
- Score and remove 1/2 inch of the outer jacket.
 - Unravel the braid and trim it back to the outer jacket cut back.



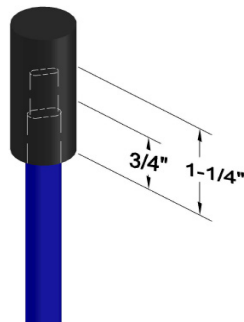
Do Not Cut or Damage Inner Jacket



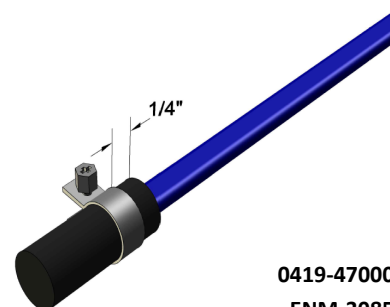
- 2**
- Apply RTV sealant into end cap and also over 1 inch of the end of heater.



- 3**
- Slide end cap on the heater (Make sure 1-1/4 inches of heater goes into the end cap, including 3/4 inch of the outer jacket)



- 4**
- Slide the clamp over the end cap and position it 1/4 inch from the heater entrance point. (Note: the screw may have to be completely removed in order to get the clamp over the cap, and then re-installed.)
 - Tighten the clamp until the cap deforms.



0419-47000-510
ENM-3085-01