



INSTALLATION INSTRUCTIONS For the built-in thermostat options “WLI Series”

THE INSTALLATION MUST BE EXECUTED
BY A QUALIFIED TECHNICIAN



RISK OF ELECTROCUTION



INSTALLATION:

- 1- Remove front cover.
- 2- Screw the thermostat to the bracket included in the kit (**Single-pole thermostat only**).
- 3- Connect the thermostat to the unit according to the wiring diagram (Fig. 1) and the drawing (Fig. 2a or 2b).
- 4- Make the electric connections of the unit according to local and national codes in force. Refer to the wiring diagram (Fig. 1).
- 5- Screw the bracket of the thermostat to the lower section of the junction box with the supplied screws.
NOTE for the Double-pole thermostat only:
Insert the cardboard insulator between the thermostat and the side of the recess box.
- 6- Replace front cover of heater before testing the heater.

BUILT-IN THERMOSTAT SETTING:

The setting of the built-in thermostat can be done with the supplied knob or through the hole in the front cover with a small slotted screwdriver if you have a tamperproof thermostat.

To set the thermostat at the desired temperature:

- Set thermostat at maximum temperature (turn clockwise).
- When the desired temperature is reached, turn the thermostat counter-clockwise slowly until you hear a “click”.
- The thermostat will keep this room temperature.

**KEEP THIS INSTRUCTION PAMPHLET
FOR THE USER INS125-200301-05**

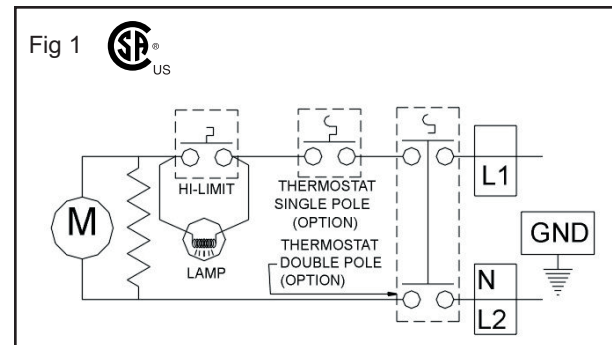


Fig. 2a : Drawing single-pole thermostat

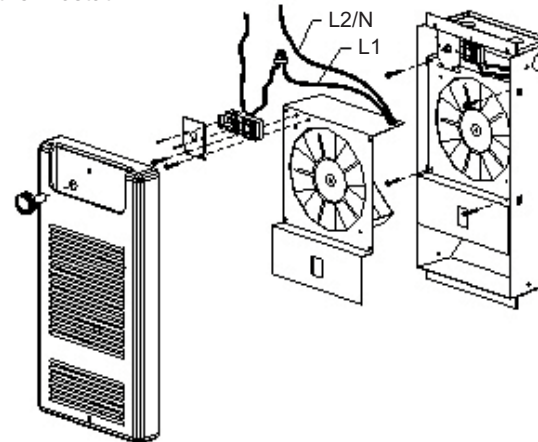


Fig 2b : Drawing double-pole thermostat

