



INSTALLATION, OPERATION AND MAINTENANCE INSTRUCTIONS FOR INDEECO ARCHITECTURAL BASEBOARD HEATER AND ARCHITECTURAL CONVECTOR "BAI/CAI SERIES" RELAY INSTALLATION

RELAY OPTIONS

- R1 – 24 Volt, Single Pole**
- R2 – 24 Volt, Single Pole With Transformer**
- R3 – 24 Volt, Double Pole**
- R4 – 240 Volt, Single Pole**
- R5 – 240 Volt, Double Pole**
- R6 – Pneumatic Relay**

R2 (240)

- 6000 Watts at 240 volts
- Transformer, 240/24 volts built-in
- 24 volts coil
- Single pole

R2 (277)

- 6000 Watts at 277 volts
- Transformer, 277/24 volts built-in
- 24 volts coil
- Single pole

1. Remove the front cover, the upper and lower grille (if necessary) and the junction box cover.
2. Attach the relay to the rear wall of the junction box.
3. Make connection according to local and national codes. See wiring diagram.
4. Replace each cover before testing the heater.

R3

- Double pole
- 25 Amps. at 240 volts each pole
- 12.5 Amps. at 600 volts each pole
- 24 volts coil (15 VA appr.)

R4

- Single pole
- 25 Amps. at 240 volts
- 10.5 Amps. at 600 volts
- 240 Volts coil (20 VA appr.)

ELECTRICAL RELAY CHARACTERISTICS

R1

- Single pole
- 5000 Watts at 208 volts
- 6000 Watts at 240 volts
- 24 volts coil (10 VA appr.)

R2 (208)

- 5000 Watts at 208 volts
- Transformer 208/24 volts built-in
- 24 volts coil
- Single pole

R5

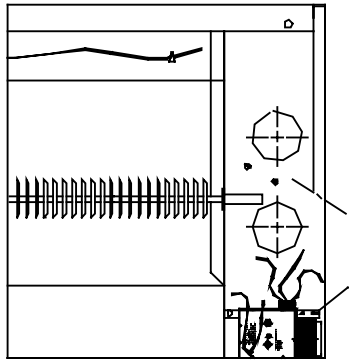
- Double pole
- 25 Amps. at 240 volts each contact
- 10.5 Amps. a 600 volts each contact
- 240 volts coil (20 VA appr.)

R6

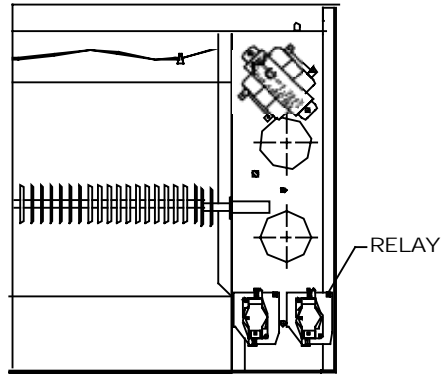
- Single pole, double throw
- 25 Amps. at 480 volts max

INDEECO
425 Hanley Industrial Court
St. Louis, MO 63144
Phone: (314) 644-4300 Fax: (314) 644-5332
www.indeeco.com

R1, R2, R3



R4, R5



R6

