

INSTALLATION INSTRUCTIONS

Option - Single-pole, coil 24V, with transformer: 22A at 208V or 22A at 240V or 19A at 277V or 18A at 347V or 10A at 600V (2-wire only) Kit

THE INSTALLATION MUST BE EXECUTED BY A QUALIFIED TECHNICIAN



RISK OF ELECTROCUTION



CAUTION

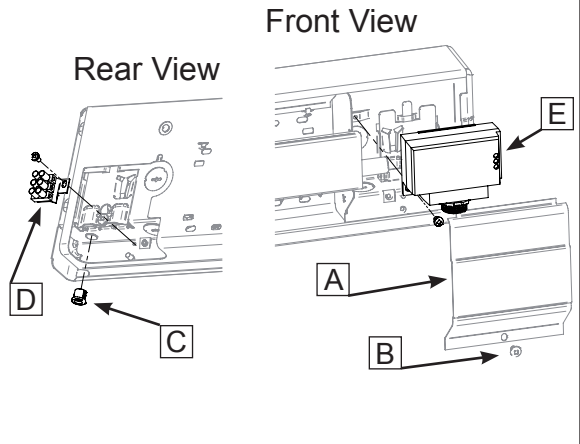
DISCONNECT ALL POWER SUPPLIES BEFORE WORKING ON ANY CIRCUIT

INSTALLATION:

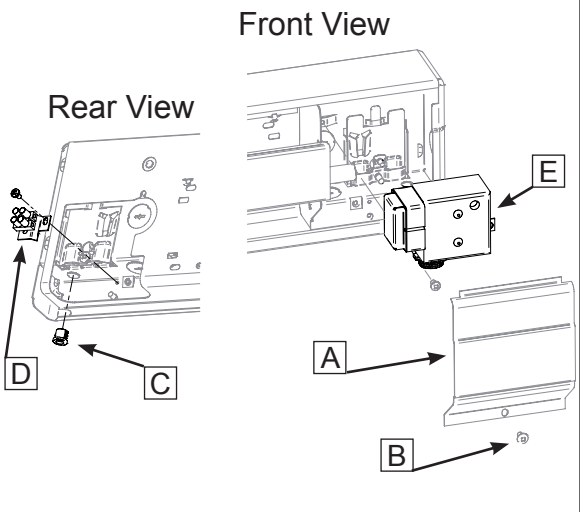
NOTE: Installation on the right end only.

1. To avoid possible electrical shock, disconnect all power at main panel prior to wiring.
2. Remove the junction box cover (A) by removing the screw (B).
IMPORTANT: Keep the screw (B) for the step 7.
3. Remove the knock-out and insert the nylon snap bushing (C).
4. Make electrical connections inside of the junction box as per the wiring diagram of this instruction and take care to pass the low voltage wires through the nylon snap bushing (C) before connecting to the terminal block (D) provided.
5. Screw the terminal block bracket (D) as per the sketch below with the small screw provided.
6. Screw the relay (E) on the embossment, at the bottom of the junction box, using the big screw provided.
7. Install and screw the junction box cover.

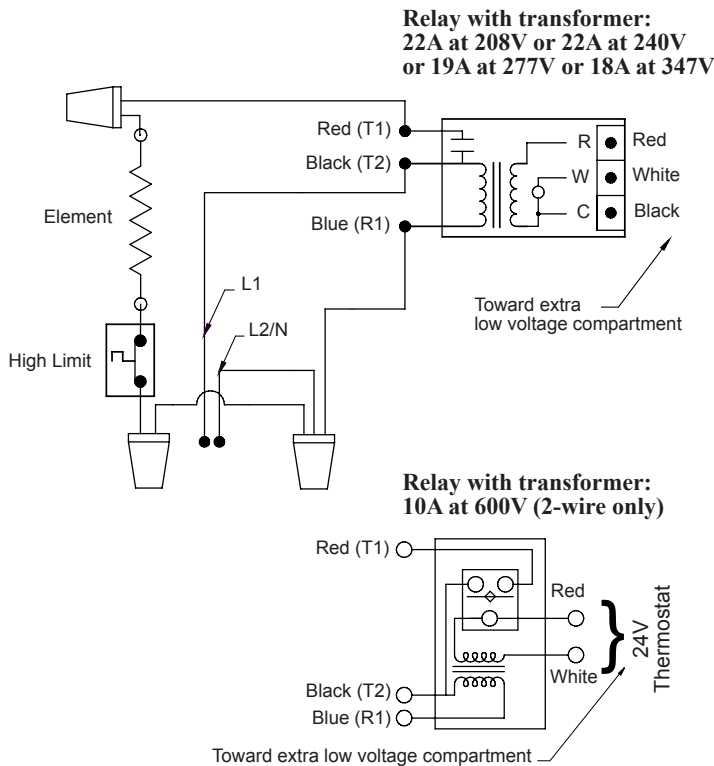
Relay with transformer:
22A at 208V or 22A at 240V
or 19A at 277V or 18A at 347V



Relay with transformer:
10A at 600V (2-wire only)



Wiring Diagram



INS362-201209-00



425 Hanley Industrial Court - St. Louis, MO 63144
Tel.: (314) 644-4305, Fax: (314) 644-5332
www.indeeco.com