



INSTALLATION, OPERATION AND MAINTENANCE INSTRUCTIONS FOR INDEECO RELAYS “BCI/BCSI/BII/BISI SERIES”

1. Remove baseboard front panel by removing screws at the bottom. Also remove the appropriate junction box cover. Note that the relay with transformer has to be installed in the right junction box only.
2. Remove required knockouts.
3. Connect low voltage wires before installing the relay.
4. Install the relay according to Figure 1. Note that the electronic relay has to be secured properly to the aluminum plate to prevent overheating. Life expectancy for the relay is compromised when running too hot.
5. Make electrical connection according to the wiring diagram located on the component and according with local and national codes.
6. Replace junction box cover and baseboard front panel before energizing.

LOCAL AND NATIONAL CODES

All heating equipment and options must be installed in accordance with local and national codes.

INTERCONNECTION

The connection boxes and the wiring channel are approved for interconnection of baseboard heaters and components which are on the same heating branch circuit. For all other options in these series, use “EMT” tubing or “BX” cable to run wiring. (Ex: corner box, empty cabinets, etc.)

The heater junction box volume without options is 48 in³ (790 cm³).

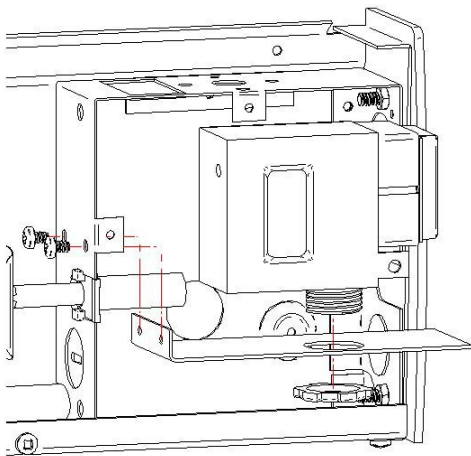
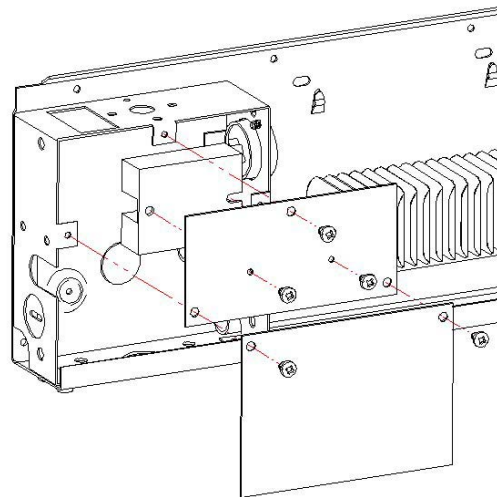


Figure 1
Mechanical Relay



Electronic Relay

INDEECO
425 Hanley Industrial Court
St. Louis, MO 63144
Phone: (314) 644-4300 Fax: (314) 644-5332
www.indeeco.com