



# Baseboard & Convactor Heaters

Commercial & Industrial  
Electric heating and controls

Our products do more in a wide  
range of applications. **Expect More.**

# INTRODUCTION

Indeeco offers commercial and industrial electric heating and control systems that set the industry standard for excellence. The company's heating solutions reflect more than 85 years of innovation, product quality and efficient service.

Indeeco's line of Comfort Heating Products cover a wide range of commercial and industrial applications.

Whether the requirement is for architectural wall heaters, cabinet unit heaters, convector heaters or ceiling heaters, Indeeco has a product to match the application.

Indeeco's quality is matched only by its customer service and support. With its quick-ship delivery program, Indeeco provides the products you need.



\*Optional factory installed disconnect switches have been sized in accordance to current UL2021 standards.

\*All field installed and factory installed electrical component options are listed with their maximum voltage and maximum amperage ratings. They can be used with heaters rated up to their maximum ratings.

# TABLE OF CONTENTS

	<b>Comparison Chart</b>	<b>4</b>
	<b>BBI (903I) Series</b> General Compact Baseboard Heater	<b>5-8</b>
	<b>BISI (905I) &amp; BII (907I) Series</b> Industrial Steel Sill-Height Convectors	<b>9-11</b>
	<b>BCI (906I) Series</b> Architectural Aluminum Sill-Height Flat Top Convectors	<b>12-13</b>
	<b>BASI (908I) Series</b> Commercial Steel Slope-Top Convectors	<b>14-15</b>
	<b>BAI (909I) &amp; BAPI (911I) Series</b> Commercial Steel Sill-Height Convectors	<b>16-18</b>
	<b>LBAI (912I) &amp; LBAPI (913I) Series</b> Commercial Steel High Watt Density Sill-Height Convectors	<b>19-21</b>
	<b>BMI (914I) Series</b> Mini Architectural Aluminum Draft Barriers	<b>22-23</b>
	<b>BHI (916I) Series</b> Architectural Aluminum High Watt Density Draft Barriers	<b>24-27</b>
	<b>TRH (943I) Series</b> In-Floor Perimeter Convection Heaters	<b>28-29</b>
	<b>Thermostats</b>	<b>30-31</b>
	<b>Control</b>	<b>32</b>
	<b>Limited Warranty</b>	<b>33</b>
	<b>Warranty Period</b>	<b>34</b>

# COMPARISON CHART

## Baseboard and Convector Heaters



BBI (903I)



BCI (906I)



BAI/BAPI (909I/911I)



BMI (914I)



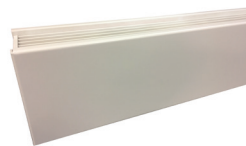
TRH (943I)



BISI/BII (905I/907I)



BASI (908I)



LBAI/LBAPI (912I/913I)



BHI (916I)

Features	BBI	BISI & BII	BCI	BASI	BAI & BAPI	LBAI & LBAPI	BMI	BHI	TRH
	903I Series	905I/907I Series	906I Series	908I Series	909I/911I Series	912I/913I Series	914I Series	916I Series	943I Series
<b>Typical Applications</b>	Bedrooms Kitchens Bathrooms Basements	Bedrooms Kitchens Bathrooms Basements	Living Rooms Bedrooms Offices Hallways & Lobbies	Offices Lobbies & Hallways Stairwells	Bedrooms Kitchens Bathrooms Basements	Offices Conference Rooms Hallways Waiting Rooms	Living Rooms Bedrooms Offices Hallways & Lobbies	Living Rooms Bedrooms Offices Hallways & Lobbies	Offices Lobbies Curtain Walls
<b>Wattage Range</b>	300-2,500	250-2500	200-2500	250-2500	250-2500	250-7500	200-1880	250-7500	376-1250
<b>Watt Density</b>	250	125, 188, 250	100 - 250	125, 188, 250	125, 188, 250	125 - 750	100-188	125 - 750	188, 250
<b>Voltages</b>	120-277 (1PH)	120-600 (1PH)	120-600 (1PH)	120-600 (1PH)	120-600 (1PH)	120-600 (1PH&3PH)	120-600 (1PH)	120-600 (1PH&3PH)	208, 240, 277 (1PH)
<b>Element Type</b>	Steel Sheath, Aluminum Fins	Steel Sheath, Aluminum Fins	Steel Sheath, Aluminum Fins	Steel Sheath, Aluminum Fins	Steel Sheath, Aluminum Fins	Steel Sheath, Aluminum Fins	Steel Sheath, Aluminum Fins	Steel Sheath, Aluminum Fins	Steel Sheath, Aluminum Fins, Stainless Steel Optional
<b>Standard Construction</b>	Steel - 22g (standard), 18g front (optional)	16g Steel	12g Aluminum	16g Steel, NEMA Construction (optional)	16g Steel	16g Steel	12g Aluminum	12g Aluminum	16g Steel
<b>Grille</b>	-	Steel	Aluminum	Steel	Aluminum	Aluminum	Aluminum	Aluminum	Aluminum: Flush + Surface Options
<b>Finish</b>	Epoxy, Polyester Powder Paint	Epoxy, Polyester Powder Paint	Epoxy, Polyester Powder Paint	Epoxy, Polyester Powder Paint	Epoxy, Polyester Powder Paint	Epoxy, Polyester Powder Paint	Epoxy, Polyester Powder Paint	Epoxy, Polyester Powder Paint	Epoxy, Polyester Powder Paint Anodized optional
<b>Sloped-Top Version</b>	No	No	No	Standard	No	No	No	No	No
<b>Bottom Air Inlet Option</b>	No	Standard	Standard	No	Standard	Standard	Standard	Standard	Trench Only: Top Inlet / Outlet
<b>Pedestal Kit Option</b>	No	907 only	Standard	No	911 only	913 only	Standard	Standard	
<b>Custom Colors</b>	No	Yes	Yes	Yes	Yes	Yes	Yes	Yes	Yes
<b>Agency Approvals</b>	cULus	cULus	cETLus	cULus	cULus	cULus	cETLus	cETLus	cULus



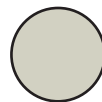
# BBI (903I) SERIES

## General Compact Baseboard Heater

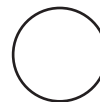


### Applications:

- Bedrooms
- Living/Family Room
- Kitchens
- Bathrooms
- Basements
- Offices
- Conference Rooms
- Hallways
- Waiting Rooms



Beige



White

---

### Standard Construction Features:

- Ideal for basic, zoned primary/secondary heating
- No fans; convection heat minimizes air flow, reducing flow of dust
- Light commercial 22g housing and optional commercial grade 18-gauge cold rolled front cover and brackets allow heater to withstand rigors of commercial applications
- Steel-sheathed heating element combines the durability of a steel tubular heater with the excellent heat transfer characteristics of aluminum fins
- Built-in wire-way facilitates end-to-end installation of continuous-run heaters
- Large, pre-wired junction boxes at each end are provided with knockouts in the rear, bottom, inside and outside
- High temperature safety limit for added protection in case of airflow blockage
- Pre-notched marks for mounting guide
- UL-listed for installation flush to any wall and flat on any floor type
- Chimney-fin element designed for maximum air circulation
- Air flow directed away from walls to help prevent wall streaking

# BBI (903I) SERIES

## General Compact Baseboard Heater

### Models & Specifications: *Light Commercial*

ITEM INFORMATION	ELECTRICAL DATA			DIMENSIONAL DATA	
CATALOG NO.	VOLTS	WATTS	AMPS	LENGTH	SHIP WT.
903IB-2512-W	120	400	3.4	24"	5.2 lbs
903IB-2542-W	240/208	400/300	1.7/1.5	24"	5.2 lbs
903IB-2513-W	120	750	6.3	36"	7.5 lbs
903IB-2543-W	240/208	750/564	3.2/2.8	36"	7.5 lbs
903IB-2514-W	120	1000	8.4	48"	10 lbs
903IB-2544-W	240/208	1000/752	4.2/3.7	48"	10 lbs
903IB-2574-W	277/240/208	1000/752/564	3.7/3.2/2.8	48"	10 lbs
903IB-2545-W	240/208	1250/940	5.2/4.6	60"	11.5 lbs
903IB-2516-W	120	1500	12.6	72"	14 lbs
903IB-2546-W	240/208	1500/1128	6.3/5.5	72"	14 lbs
903IB-2576-W	277/240/208	1500/1128/846	5.5/4.7/4.1	72"	14 lbs
903IB-2548-W	240/208	2000/1504	8.4/7.3	96"	18.5 lbs
903IB-2502-W	208	400	2	24"	5.2 lbs
903IB-2572-W	277/240/208	400/300/225	1.5/1.3/1.1	24"	5.2 lbs
903IB-25126-W	120	500	4.2	30"	6.3 lbs
903IB-25026-W	208	500	2.4	30"	6.3 lbs
903IB-25426-W	240/208	500/376	2.1/1.9	30"	6.3 lbs
903IB-25726-W	277/240/208	500/376/282	1.8/1.6/1.4	30"	6.3 lbs
903IB-2503-W	208	750	3.6	36"	7.5 lbs
903IB-2573-W	277/240/208	750/564/423	2.7/2.4/2.1	36"	7.5 lbs
903IB-2504-W	208	1000	4.8	48"	10 lbs
903IB-2515-W	120	1250	10.5	60"	11.5 lbs
903IB-2505-W	208	1250	6	60"	11.5 lbs
903IB-2575-W	277/240/208	1250/940/705	4.6/4.0/3.4	60"	11.5 lbs
903IB-2506-W	208	1500	7.3	72"	14 lbs
903IB-25008-W	208	2500	12	96"	18.5 lbs
903IB-2508-W	208	2000	9.7	96"	18.5 lbs
903IB-25408-W	240/208	2500/1880	10.5/9.1	96"	18.5 lbs
903IB-2578-W	277/240/208	2000/1504/1128	7.3/6.3/5.5	96"	18.5 lbs
903IB-25708-W	277/240/208	2500/1880/1410	9.1/7.9/6.8	96"	18.5 lbs

NOTE: Unit and accessories represent White finish. For Beige, remove "W" suffix to catalog number and replace with "N" (ex. 2544-N). For high-altitude baseboard heaters (mounted above 7,500 ft.), add suffix "H" to catalog number (ex. 2544H-W) 8 ft. length baseboards must be ordered in multiples of two pieces for shipment.

# BBI (903I) SERIES

## General Compact Baseboard Heater

### Models & Specifications: Commercial

ITEM INFORMATION	ELECTRICAL DATA			DIMENSIONAL DATA	
CATALOG NO.	VOLTS	WATTS	AMPS	LENGTH	SHIP WT.
903IB-C25126-N	120	500	4.2	30"	7.8 lbs
903IB-C25026-N	208	500	2.4		
903IB-C25426-N	240/208	500/376	2.1/1.8		
903IB-C25726-N	277/240/208	500/376/282	1.8/1.6/1.4		
903IB-C2513-N	120	750	6.5	36"	9.0 lbs
903IB-C2503-N	208	750	3.6		
903IB-C2543-N	240/208	750/564	3.1/2.7		
903IB-C2573-N	277/240/208	750/564/423	2.7/2.4/2.0		
903IB-C2514-N	120	1000	8.3	48"	11.5 lbs
903IB-C2504-N	208	1000	4.8		
903IB-C2544-N	240/208	1000/752	4.2/3.6		
903IB-C2574-N	277/240/208	1000/752/564	3.6/3.1/2.7		
903IB-C2515-N	120	1250	10.4	60"	13.0 lbs
903IB-C2505-N	208	1250	6.0		
903IB-C2545-N	240/208	1250/940	5.2/4.5		
903IB-C2575-N	277/240/208	1250/940/705	4.5/3.9/3.4		
903IB-C2516-N	120	1500	12.6	72"	15.5 lbs
903IB-C2506-N	208	1500	7.2		
903IB-C2546-N	240/208	1500/1128	6.3/5.4		
903IB-C2576-N	277/240/208	1500/1128/846	5.4/4.7/4.1		
903IB-C2508-N	208	2000	9.6	96"	20 lbs
903IB-C2548-N	240/208	2000/1504	8.3/7.2		
903IB-C2578-N	277/240/208	2000/1504/1128	7.2/6.3/5.4		
903IB-C25008-N	208	2500	12.0	96"	20 lbs
903IB-C25408-N	240/208	2500/1880	10.4/8.7		
903IB-C25708-N	277/240/208	2500/1880/1410	9.0/7.5/6.8		

NOTE: Unit and accessories only available in Beige finish. For high-altitude baseboard heaters (mounted above 7,500 ft.), add suffix "H" to catalog number (ex. C2544H-N) 8 ft. length baseboards must be ordered in multiples of two pieces for shipment.

# BBI (903I) SERIES

## General Compact Baseboard Heater

### Optional Controls & Accessories:

CATALOG NO.	DESCRIPTION	SHIP WT.
BIT-TA1A-W	SP Thermostat, rated 22A @ 120-277V	1 lbs
BIT-TA1TPA-W	Tamper-Resistant Version of TA1AW	1 lbs
BIT-TA2A-W	DP Thermostat, rated 22A @ 120-277V	1 lbs
BIT-TA2TPA-W	Tamper-Resistant Version of TA2AW	1 lbs
BIS-HCA241520-W	240V Load Transfer Switch, 20A	1 lbs
BIS-HCA121520-W	120V Load Transfer Switch, 20A	1 lbs
BIR-RSA1224-X	120V/24V Transformer Relay, 22A	1 lbs
BIR-RSA2024-X	208V/24V Transformer Relay, 22A	1 lbs
BIR-RSA2424-X	240V/24V Transformer Relay, 22A	1 lbs
BIR-RSA2724-X	277V/24V Transformer Relay, 19A	1 lbs
BIC-RA1-W	120V Duplex Receptacle	1 lbs
BIS-DSW2-W	Double-Pole Power On/Off Switch rated 20A @ 120-277V	1 lbs
BIR-PR24-X	Single-Pole Power Relay, 24VControl rated 30A @ 120-240V, 23A @ 277V	1 lbs
BIR-PR120-X	Same as PR24 except with 120V Control	1 lbs
BIH-ICAN-W	Inside Corner	1 lbs
BIC-RA1COMPW-N	Duplex Receptacle Cover only – carton of 10	1 lbs

NOTE: Unit and accessories represent White finish. For Beige, remove W suffix to catalog number and replace with N.

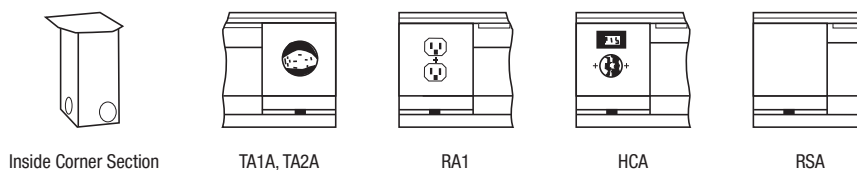
### Filler Sections:

CATALOG NO.	DESCRIPTION	SHIP WT.
BIH-FS12-W	1 ft. Filler Section	2 lbs
BIH-FS24-W	2 ft. Filler Section	4 lbs
BIH-FS36-W	3 ft. Filler Section	6 lbs
BIH-FS48-W	4 ft. Filler Section	8 lbs
BIB-FSJ2-W	2 in. Joiner Strip	.5 lbs

NOTE: Unit and accessories represent White finish. For Beige, remove W suffix to catalog number and replace with N.

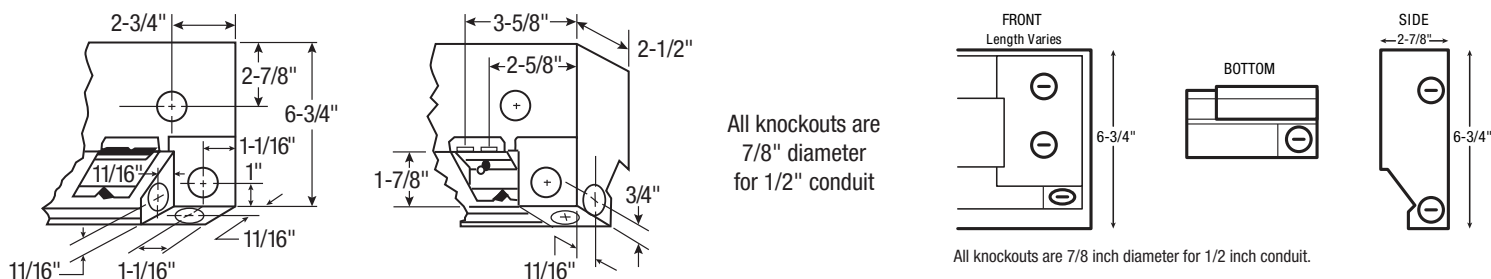
### Blank Sections:

CATALOG NO.	DESCRIPTION	SHIP WT.
BIH-CBDA2-N	2.6 ft. Blank Section	4 lbs
BIH-CBDA3-N	3 ft. Blank Section	5 lbs
BIH-CBDA4-N	4 ft. Blank Section	7 lbs
BIH-CBDA5-N	5 ft. Blank Section	9 lbs
BIH-CBDA6-N	6 ft. Blank Section	11 lbs
BIH-CBDA8-N	8 ft. Blank Section	14 lbs



### Dimensions and Clearances:

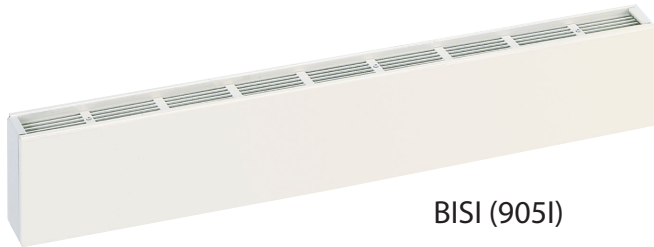
Unit length varies with model. See selection chart.



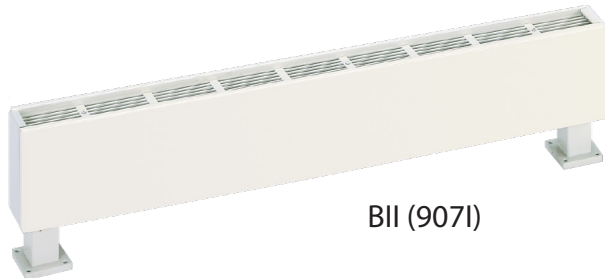


# BISI (905I) & BII (907I) SERIES

## Industrial Steel Sill-Height Convectors



BISI (905I)



BII (907I)

### Applications:

- Bedrooms
- Living/Family Room
- Kitchens
- Bathrooms
- Basements
- Offices
- Conference Rooms
- Hallways
- Waiting Rooms



White



Beige



Charcoal Grey



Bronze



Black



Aluminum



Custom and/or Anodized  
Colors also Available

### Standard Construction Features:

- Ideal for primary, secondary or supplemental heat, under-the-window heat loss and condensation prevention
- Stamped, steel grille provides robust design and appearance for commercial and industrial applications.
- Durable front cover constructed of 16-gauge steel (optional 14-gauge available)
- Mounting Flexibility: 905 Sill Height (non-pedestal) and 907 pedestal-mounted
- Units yield a broad range of single-phase heating capacities (see specifications)
- Blend into any décor with 8 standard color options or custom finishes available upon request
- Units can be mounted from wall-to-wall or as discrete units in standard lengths of 28 in. to 10 ft.
- Optional built-in controls include: line voltage thermostat (SPST or DPST); power on/off switch; power relay; or transformer relay (see specifications)
- Optional 1/4 in. mesh located under the discharge grille to deter insertion of objects and restriction of airflow
- Right- or left-hand entry/wiring flexibility with identical pre-wired junction boxes at either end
- End-to-End wire-way provided for ease of wiring; and rated per the NEC conduit size and rating codes. Please consult factory for proper sizing and specifications
- Easy connection of supply wiring from bottom, rear or end, as well as multiple wiring of adjacent heaters from one entry point
- For service, all internal parts are accessible by removing cover

# BISI (905I) & BII (907I) SERIES

## General Compact Baseboard Heater

### 5 1/2" x 3" — Single Element Lengths

Length	28"	3'	4'	5'	6'	8'	10'
Shipping Weight	11 lbs	15 lbs	18 lbs	25 lbs	29 lbs	38 lbs	47 lbs

NOTE: All models are NON-STOCK, MADE-TO-ORDER. When ordering, specify quantity, catalog number, voltage, wattage, optional controls, and color. Consult sales representative for lead times.

### Watts per Ft.\*

125	188
250	

### Voltages\*

Single Phase	120	208	240
	277	347	600

\*Specifications may vary by length. Consult sales representative for additional details.

\* Only single phase available

### Optional Accessories - 905I

CATALOG NO.*		COMPATIBLE WITH	HEIGHT	DEPTH	LENGTH	ADDITIONAL LENGTH	SHIP WT.	
BLANK SECTIONS	BIH-C5SBS2	905I	5 1/2"	3"	28"	-	10 lbs	
	BIH-C5SBS3				3'	-	14 lbs	
	BIH-C5SBS4				4'	-	18 lbs	
	BIH-C5SBS5				5'	-	23 lbs	
	BIH-C5SBS6				6'	-	27 lbs	
	BIH-C5SBS8				8'	-	36 lbs	
	BIH-C5SBS10				10'	-	45 lbs	
END CAPS	LEFT	BIC-C5ECL**	905I	5 1/2"	2 1/2"	-	1/8"	1 lbs
	RIGHT	BIC-C5ECCR**	905I	5 1/2"	2 1/2"	-	1/8"	1 lbs
FILLER SECTIONS (FIELD CUTTABLE)	BIH-C5SFL3	905I	5 1/2"	5 1/8"	4"	0-3"	1 lbs	
	BIH-C5SFL6**	905I	5 1/8"	2 1/2"	7"	3-6"	2 lbs	
	BIH-C5SFL9**	905I	5 1/8"	2 1/2"	10"	6-9"	3 lbs	
	BIH-C5SFL12**	905I	5 1/8"	2 1/2"	13"	9-12"	4 lbs	
	BIH-C5SFL18**	905I	5 1/8"	2 1/2"	19"	15-18"	5 lbs	
CORNERS	INSIDE	BIH-C5SIC	905I	5 1/8"	2 1/2"	4 1/2"	3-3 1/2"	2 lbs
	OUTSIDE	BIH-C5SOC	905I	5 1/8"	2 1/2"	1"	0-1/2"	1 lbs
	CONDUIT	BIH-C5SHCC	905I	-	2 5/8"	2 1/2"	-	4 lbs

All steel convectors come standard with end caps. All pedestal style steel convectors come standard with pedestals. Outlet Mesh: Price per foot. 14-Gauge Front Cover: add 10% to heater price. Standard color included in base price. Other colors available. See paint policy page for information on custom paint colors. When ordering, specify heater catalog number, voltage, phase, suffix catalog number for built-in controls, color, and options. If color is not specified, standard color is Beige.

\*Add suffix color code (i.e. -W for white, -B for black, etc.) \*\* Built-in duplex receptacle available.

### Optional Accessories: 907I

CATALOG NO.*		DESCRIPTION	COMPATIBLE WITH	SHIP WT.
BLANK SECTIONS	BIH-C5PBS2	28-Inch Blank Section	907I Heaters	10 lbs
	BIH-C5PBS3	3-Foot Blank Section		13 lbs
	BIH-C5PBS4	4-Foot Blank Section		17 lbs
	BIH-C5PBS5	5 Foot Blank Section		21 lbs
	BIH-C5PBS6	6-Foot Blank Section	907I Heaters	25 lbs
	BIH-C5PBS8	8-Foot Blank Section		32 lbs
	BIH-C5PBS10	10-Foot Blank Section		42 lbs
LEG KITS	PEDESTAL	BIP-C5P2	Legs must be ordered with 907I Heaters/Blanks	3 lbs
	BIP-C5P3	4 lbs		
	BIP-C5P4	5 lbs		
END CAPS	RIGHT	BIC-C5PECR	907I Heaters/Blanks	1 lbs
	LEFT	BIC-C5PECL	907I Heaters/Blanks	1 lbs

All steel convectors come standard with end caps. All pedestal style steel convectors come standard with pedestals. Outlet Mesh: Price per foot. 14-Gauge Front Cover: add 10% to heater price. Standard color included in base price. Other colors available. See paint policy page for information on custom paint colors. If color is not specified, front covers will be Beige. When ordering, specify heater catalog number, voltage, phase, suffix catalog number for built-in controls, color, and options. Specify color for pedestal legs.

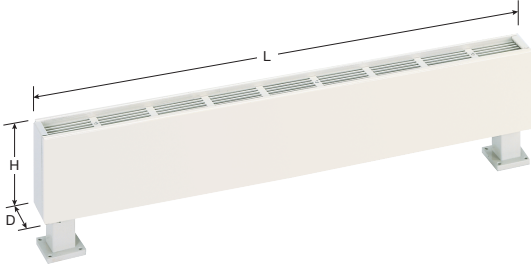
\*Add suffix color code (i.e. -W for white, -B for black, etc.)

# BISI (905I) & BII (907I) SERIES

## General Compact Baseboard Heater

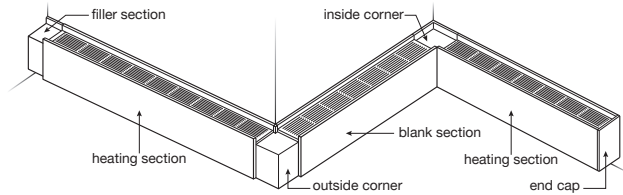
### Dimensions and Clearances:

Cat. No.	Dimensions	
	H	D
905I & 907I	5 1/2"	3"

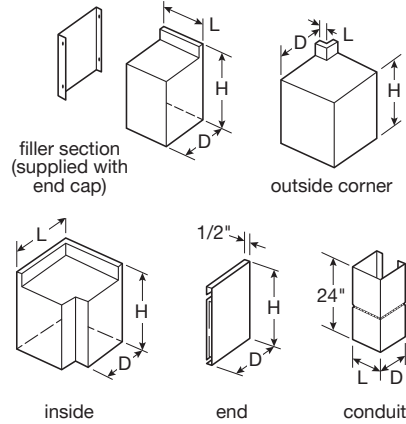
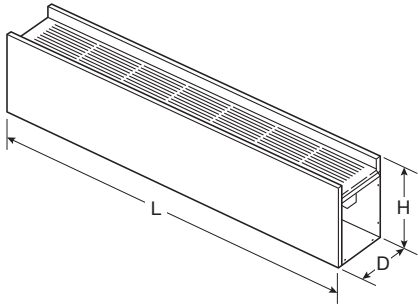


### Typical Installation:

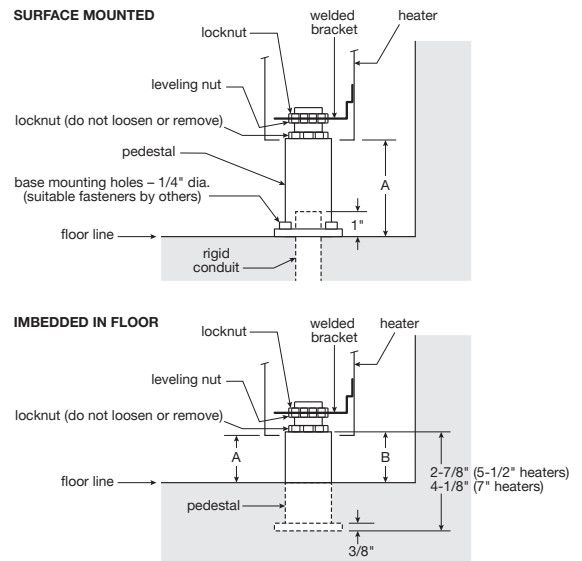
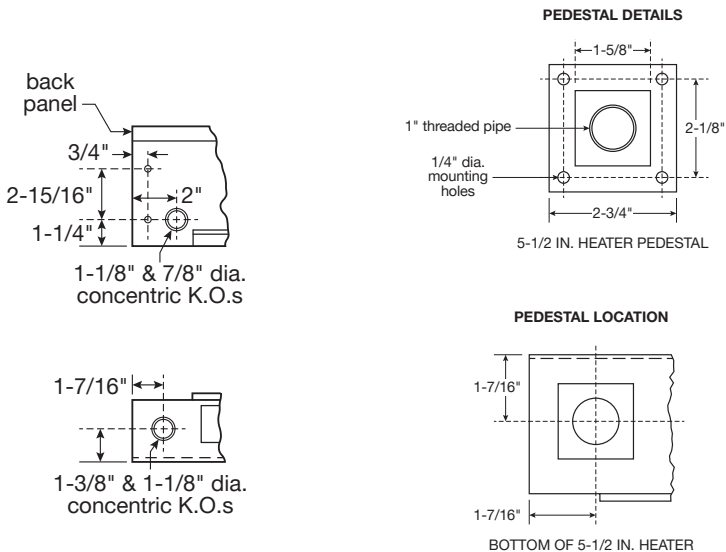
Minimum Mounting Height Above Floor	
Up to 250W/Ft.	1 3/4"



### Optional Accessories:



### Knockouts and Mounting Holes and Pedestals:



# BCI (906I) SERIES

## Architectural Aluminum Sill-Height Flat Top Convector



### Applications:

- Living Rooms
- Bedrooms
- Offices
- Hallways & Lobbies
- Condos
- Conference Rooms
- Retail Spaces
- Floor-to-Ceiling Curtain Walls



White



Beige



Charcoal Grey



Bronze



Black



Aluminum



Custom and/or Anodized  
Colors also Available

### Standard Construction Features:

- Ideal for elegant, supplemental comfort under windows for heat loss and condensation prevention
- Unique two-piece extruded aluminum “Snap-Lock” closure design secures the one-piece top and front grilles to the one-piece back and bottom providing a rapid, secure fit along the length of the unit
- Front/bottom inlet air grille utilizes slots which create an attractive installation where inlet grille is visible
- Unit comes standard with rear knockouts and unpainted back. Optional custom-painted backs and rear knockout options are available
- Units can be mounted on floor, wall, or pedestals
- Customize space with wall-to-wall installation, or as discrete units in standard lengths of 2–10 ft.
- Units are available in a wide range of heating capacities per foot length (see specification charts)
- Inside and outside corners can be ordered factory-cut and mitered to fit difficult or unusual spaces
- Architectural-style end sections give a finished look when used as a stand-alone or where a wall-to-wall run is not desired
- Full line of trim accessories, including matching blank sections, end caps, filler sections, inside and outside corners, diagonal end sections, and splice plates
- Optional built-in controls include: line-voltage thermostat; two-stage thermostat; on/off switch; transformer relay; power relay
- Right- or left-hand entry and built-in wireway (equivalent to 1/2 in. conduit) with factory-installed wiring
- Easy connection of supply wiring from bottom, rear or end, as well as multiple wiring of adjacent heaters from one entry point
- Thermal limit switch with linear type (full length) sensing bulb provides constant protection against overheating
- Discharge air openings in top grille are punched slots which are pencil-proof for safety



# BCI (906I) SERIES

## Architectural Aluminum Sill-Height Flat Top Convactor

### Lengths

Length	2'	28"	3'	4'	5'	6'
Shipping Weight	8 lbs	8 lbs	10 lbs	13 lbs	17 lbs	20 lbs

NOTE: Additional cabinet sizes available up to 10 ft. length. Backs are provided standard with no finish. For finished backs, add 10% to list price. Knockouts on back omitted by request only. All models are non-stock, made-to-order. Consult sales representative for more information on specs and lead times.

### Watts per Ft. \*

100	125	150
188	250	

\*Specs vary by length. Refer to the submittal sheet for full details.

### Voltages\*

Single Phase	120	208	240
	277	347	600

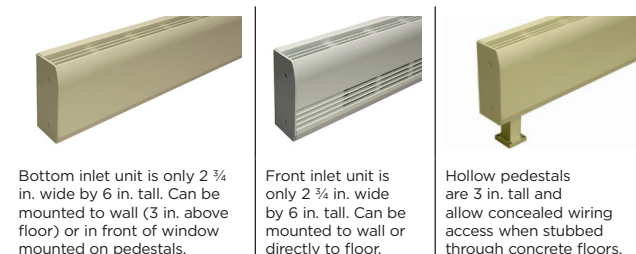
\* Only single phase available

### Blank Section & Accessories:

(Field Cuttable)

CATALOG NO.*	DIMENSIONS (W x H x L)	INLET	SHIP WT.
BIH-ASBS1F	2 3/4" x 6" x 1'	Front	4 lbs
BIH-ASBS1B		Bottom	
BIH-ASBS2F	2 3/4" x 6" x 28"	Front	7 lbs
BIH-ASBS2B		Bottom	
BIH-ASBS3F	2 3/4" x 6" x 3'	Front	9 lbs
BIH-ASBS3B		Bottom	
BIH-ASBS4F	2 3/4" x 6" x 4'	Front	12 lbs
BIH-ASBS4B		Bottom	
BIH-ASBS5F	2 3/4" x 6" x 5'	Front	16 lbs
BIH-ASBS5B		Bottom	
BIH-ASBS6F	2 3/4" x 6" x 6'	Front	19 lbs
BIH-ASBS6B		Bottom	

NOTE: Blank section grilles are not punched unless requested. Additional sections available for cabinets up to 12 ft. length.



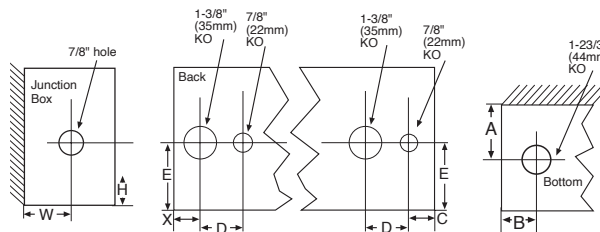
CATALOG NO.*	DESCRIPTION	ADDITIONAL SPACE REQUIRED	SHIP WT.
BIC-ASECL	End Cap - Left	1/8"	1 lbs
BIC-ASECR	End Cap - Right	1/8"	1 lbs
BIH-ASICF	Inside Corner-Front In	8 1/2"	5 lbs
BIH-ASICB	Inside Corner-Bottom In	8 1/2"	5 lbs
BIH-ASOCF	Outside Corner-Front In	5"	4 lbs
BIH-ASOCB	Outside Corner-Bottom In	5"	4 lbs
BIH-ASDESBL	Dec. End Section-Bottom In, Left	9 3/4"	5 lbs
BIH-ASDESBR	Dec. End Section-Bottom In, Right	9 3/4"	5 lbs
BIH-ASDESFL	Dec. End Section-Front In, Left	9 3/4"	4 lbs
BIH-ASDESFR	Dec. End Section-Front In, Right	9 3/4"	4 lbs
BIC-ASSP	Splice Plate	0-1/4"	1 lbs
BIC-ASFL3	Filler Section 3 in. (Field Cuttable)	0-3"	1 lbs
BIC-ASFL6	Filler Section 6 in. (Field Cuttable)	3-6"	1 lbs
BIC-ASFL9	Filler Section 9 in. (Field Cuttable)	6-9"	1 lbs
BIC-ASFL12	Filler Section 12 in. (Field Cuttable)	9-12"	1 lbs
BIC-ASFL18	Filler Section 18 in. (Field Cuttable)	12-18"	1.5 lbs
BIC-ASFL24	Filler Section 24 in. (Field Cuttable)	18-24"	1.5 lbs
BIH-ASDRF	Receptacle Section-Front In	4 1/2"	1.5 lbs
BIH-ASDRB	Receptacle Section-Bottom In	4 1/2"	1.5 lbs
BIH-ASPK3A**	Architectural Pedestal	-	2 lbs
BIB-VVSO1***	Stand-Off Bracket	-	1 lbs

\* Add suffix for color code (i.e. -W for white, -B for black, etc.), -C for clear anodized, -B for bronze anodized. \*\* One pedestal. Two pedestals required on units up to 10 ft. and three required on units over 10 ft.  
\*\*\* Beige is standard.

### Dimensions and Clearances:

Height	6" 152mm
Width	2 3/4" 70mm
Length	24"-12' 610mm-3658mm

A	1.27"	32mm
B	2.00"	51mm
C	1.63"	41mm
D	1.37"	35mm
E	2.75"	70mm
H	2.71"	69mm
W	1.25"	32mm
X	1.00"	25.4mm



Pedestal placement and KOs shown are for standard units. Custom enclosures and/or heat decks will have pedestal placement and KOs in various locations. Consult factory.

### Optional Built-In Controls:

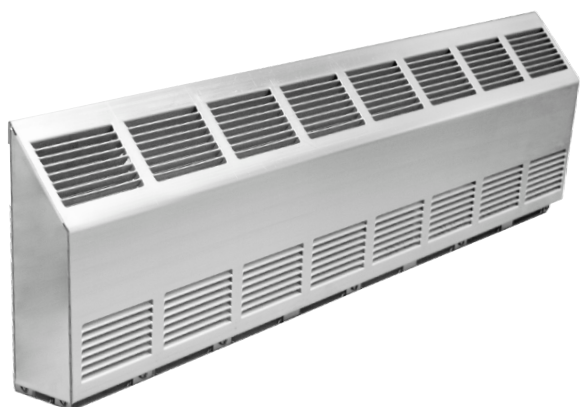
Suffix*	OPTIONAL BUILT-IN CONTROLS	USE CASE(S)	RATINGS & DESCRIPTIONS
T	Single-Pole Thermostat	Ideal for 120v and 277v heaters	Rated 25 amps @ 120-240 VAC and 22 amps @ 277 VAC. Pilot duty rating of 125 VA (all voltages) 60-120°F temperature range adjustable through outlet grille-tamper-resistant. (See Note B)
2T	Double-Pole Thermostat	Ideal for 208v and 240v heaters	Rated 25 amps @ 120-240 VAC and 22 amps @ 277 VAC. Pilot duty rating of 125 VA (all voltages). 60-120°F temperature range adjustable through outlet grille-tamper-resistant. (See Note B for amperage restrictions)
DS	Power On/Off Switch	Ideal for servicing	Double-pole, rated 20 amp @ 120-277 VAC. (See Note A.) For heaters over 20 amps specify two
TR**	Transformer Relay	Ideal for remote, low voltage thermostats	Single-pole, low voltage relay with built-in transformer (24 VAC control), rated 22 amps @ 120-240 VAC and 22 amps @ 277 VAC. (See Note E and F) 17 amps @ 347V. Not available for three-phase heaters
PR	Power Relay	Ideal for multiple heater connections or BMS / EMS connections	Single-pole magnetic relay, rated 25 amps @ 120-600 VAC. (See Note E). Specify control voltage
PDT	Single-Pole Thermostat	For sequencing low voltage connections with a transformer relay	Same as -T except Pilot Duty. (See Note C)
R**	Receptacle	For additional electrical connections.	For built-in or as installed in a control section

\* Addition To Basic Catalog No. (See Note D)

\*\* Will add 4 in. to length of heater. (A) For single-phase loads over 20A, specify (2) power on/off switches. (B) This control option is not available on single-phase heaters over 25 amps (22 amps on 277 VAC). In combination with the power on/off switch option use the 2T thermostat option on heaters over 20 amps. (C) Requires PR or TR. (D) Up to 30 power relays in different heaters can be controlled by each stage of a two-stage pilot duty thermostat. (E) Two relays are required on single-phase heaters over 20 amps with a disconnect switch, over 25 amps without a disconnect switch. (F) For 906I Series the TR (transformer relay) R (Duplex Receptacle) will be installed in separate 4 in. long internal control boxes.

# BASI (908I) SERIES

## Commercial Steel Slope-Top Convector



### Applications:

- Offices
- Lobbies & Hallways
- Stairwells

### NEMA 4X Models:

- Food Processing Areas
- Breweries
- Wastewater Treatment Plants
- Swimming Pools



White



Beige



Charcoal Grey



Bronze



Black



Aluminum



Custom and/or Anodized  
Colors also Available

### Standard Construction Features:

- Designed to mount on wall at sill height (or lower) and can be positioned directly on floor. End of unit can be positioned against adjacent sidewall if desired
- Cabinet fabricated with 16-gauge steel; back cover is constructed of 18-gauge steel
- Thermal limit switch with linear type (full length) sensing bulb provides constant protection against overheating. Switch will automatically reset when normal operating temperatures are restored
- Elements are long-life metal sheath type, anchored to allow for quiet expansion and contraction
- Baked enamel finishes are compatible with all interior decors
- Attractive 45° sloped top discourages use of heater as a shelf or a “step stool”
- Units can be mounted from wall-to-wall or as discrete units in standard lengths of 28 in. to 10 ft.
- Optional built-in controls include: thermostat; disconnect switch; transformer relay; and power relay (see specifications)
- Accessories include complete line of matching splice sections, inside and outside corners, and blank sections
- Pre-wired and designed for either right- or left-hand entry with connection of supply wiring from bottom, rear or end, as well as multiple wiring of adjacent heaters from one entry point
- All internal parts are accessible by removing cover for easy service access
- NEMA 4X model\* consists of stainless steel design rated for washdown and corrosive environments
- \*Contact sales representative for more information on NEMA 4X models.

# BASI (908I) SERIES

## Commercial Steel Slope-Top Convector

### Lengths

Length	28"	3'	4'	5'	6'	8'	10'
Shipping Weight	12 lbs	15 lbs	19 lbs	24 lbs	26 lbs	37 lbs	45 lbs

### Watts per Ft.\*

125	188
250	

\*Specs vary by length. Refer to the submittal sheet for full details.

### Voltages\*

Single Phase	120	208	240
	277	347	600

\* Only single phase available

### Optional Built-in Controls:

SUFFIX	OPTIONAL BUILT-IN CONTROLS	USE CASE(S)	RATINGS & DESCRIPTION
T*	Single-Pole Thermostat	Ideal for 120v and 277v heaters	Rated 25 amps @ 120–240 VAC and 22 amps @ 277 VAC. Pilot duty rating of 125 VA (all voltages). 60–120°F temperature range; adjustable through outlet grille-tamper-resistant
2T*	Double-Pole Thermostat	Ideal for 208v and 240v heaters	Rated 25 amps @ 120–240 VAC and 22 amps @ 277 VAC. Pilot duty rating of 125 VA (all voltages). 60–120°F temperature range; adjustable through outlet grille-tamper-resistant. (See Note 1 for amperage restrictions.)
DS*	Power On/Off Switch	Ideal for servicing	Double-pole, rated 20 amp @ 120-277 VAC
TR*	Transformer Relay	Ideal for remote, low voltage thermostats	Single-pole, low voltage relay with built-in transformer (24 VAC control). Rated 22 amps @ 120–240 VAC and 19 amps @ 277 VAC. 18 amps @ 347V . Not available on 3-phase heaters
PR*	Power Relay	Ideal for multiple heater connections or BMS / EMS connections	Single-pole magnetic relay, rated. (See Note 3) Specify control voltage. Rated 30 amps @ 120–240 VAC and 30 amps @ 277 VAC. Pilot duty rating of 125 VA — all voltages (See Note 3)

\*Addition To Basic Catalog No.

NOTE: For 347V and 600V units options T, 2T, DS, are not available. Specify PDT as the suffix for a thermostat. \*Factory built-in. Add suffix to heater catalog number. 1) A control combination is not available on heaters that have an amperage draw which exceeds the rated limit of the lowest rated control. 2) For non-standard controls or combinations, contact factory. 3) Specify holding coil voltage where applicable.

NEMA 4X NOTE: Optional built-in controls are not compatible with the NEMA 4X Series. Standard 50-day lead time for NEMA 4X models. Contact sales representative for more information on NEMA 4X models.

### Optional Accessories:\*

SUFFIX	OPTIONAL BUILT-IN CONTROLS	RATINGS & DESCRIPTION
BIH-CTIC	2	Inside corner (requires additional wall space — use with ST model only)
BIH-CTOC	2	Outside corner (requires additional wall space — use with ST model only)
BIC-CTJS	1	Splice plate wide, coverage gap up to 1/2 in. (use with ST model only)
BIH-CTBS02	-	2 ft. Blank Section (unheated section)
BIH-CTBS04	-	4 ft. Blank Section (unheated section)
BIH-CTBS06	-	6 ft. Blank Section (unheated section)
BIH-CTBS08	-	8 ft. Blank Section (unheated section)

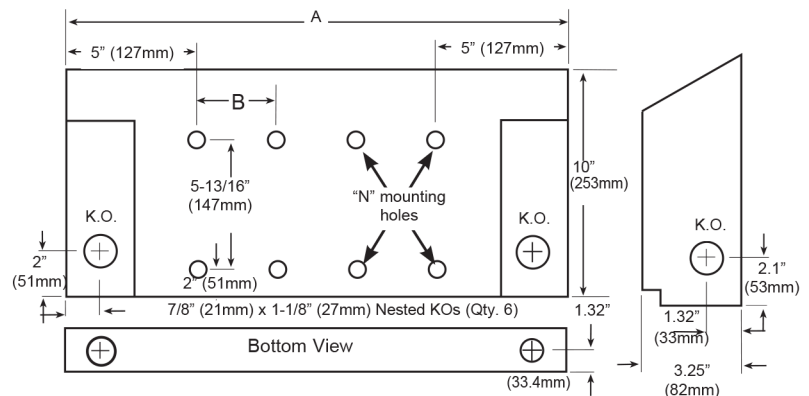
\*Add suffix for the appropriate color code (i.e. W for white, B for black, etc.).



NEMA 4x Model Stainless Steel

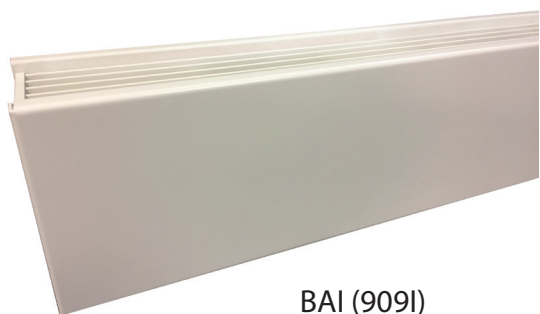
### Dimensions and Clearances:

WATTS	A	B	NO. OF HOLES
500	28"	-	-
750	36"	-	-
1000	48"	19"	2
1250	60"	16.68"	4
1500	72"	20.63"	4
2000	96"	21.5"	6
2500	120"	27.5"	6

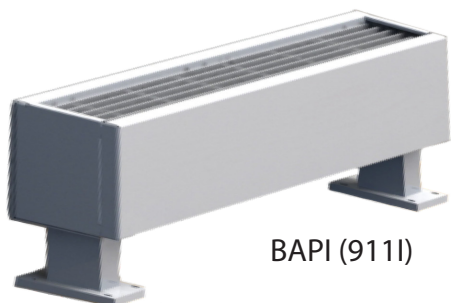


# BAI (909I) & BAPI (911I) SERIES

## Commercial Steel Sill-Height Convectors



BAI (909I)



BAPI (911I)

### Applications:

- Bedrooms
- Living/Family Room
- Kitchens
- Bathrooms
- Basements
- Offices
- Conference Rooms
- Hallways
- Waiting Rooms



White



Beige



Charcoal Grey



Bronze



Black



Aluminum



Custom and/or Anodized  
Colors also Available

### Standard Construction Features:

- Ideal for primary, secondary or supplemental heat, under-the-window heat loss and condensation prevention
- Extruded, aluminum grille provides more finished design and appearance
- Durable front cover constructed of 16-gauge steel (optional 14-gauge available)
- Mounting Flexibility: 909 Sill Height (non-pedestal) and 911 pedestal-mounted
- Units yield a broad range of single-phase heating capacities (see specifications)
- Blend into any décor with 8 standard color options or custom finishes available upon request
- Locate at sill height (or lower) or run from mullion-to-mullion
- Units can be mounted from wall-to-wall or as discrete units in standard lengths of 28 in. to 10 ft.
- Optional built-in controls include: line voltage thermostat (SPST or DPST); power on/off switch; power relay; or transformer relay (see specifications)
- Optional 1/4 in. mesh located under the discharge grille to deter insertion of objects and restriction of airflow
- Right- or left-hand entry/wiring flexibility with identical pre-wired junction boxes at either end
- End-to-End wire-way provided for ease of wiring; and rated per the NEC conduit size and rating codes. Please consult factory for proper sizing and specifications
- Easy connection of supply wiring from bottom, rear or end, as well as multiple wiring of adjacent heaters from one entry point
- For service, all internal parts are accessible by removing cover



# BAI (909I) & BAPI (911I) SERIES

## Commercial Steel Sill-Height Convactor

### 5 1/2" x 3" — Single Element Lengths

Length	28"	3'	4'	5'	6'	8'	10'
Shipping Weight	11 lbs	15 lbs	18 lbs	25 lbs	29 lbs	38 lbs	47 lbs

NOTE: All models are NON-STOCK, MADE-TO-ORDER. When ordering, specify quantity, catalog number, voltage, wattage, optional controls, and color. Consult sales representative for lead times.

### Watts per Ft.\*

125	188
250	

\*Specifications may vary by length.

Consult sales representative for additional details.

### Voltages\*

Single Phase	120	208	240
	277	347	600

\* Only single phase available

### Optional Accessories - 909I

CATALOG NO.*	COMPATIBLE WITH	HEIGHT	DEPTH	LENGTH	ADDITIONAL LENGTH	SHIP WT.
BLANK SECTIONS	909I	5 1/2"	3"	28"	-	10 lbs
				3'	-	13 lbs
				4'	-	17 lbs
				5'	-	21 lbs
				6'	-	25 lbs
				8'	-	32 lbs
				10'	-	42 lbs
END CAPS	909I	5 1/2"	2 1/2"	-	1/8"	1 lbs
FILLER SECTIONS (FIELD CUTTABLE)	909I	5 1/2"	5 1/8"	4	0-3	1 lbs
	909I	5 1/8"	2 1/2"	7	3-6	2 lbs
	909I	5 1/8"	2 1/2"	10	6-9	3 lbs
	909I	5 1/8"	2 1/2"	13	9-12	4 lbs
	909I	5 1/8"	2 1/2"	19	15-18	5 lbs
CORNERS	909I	5 1/8"	2 1/2"	4 1/2"	3-3 1/2"	2 lbs
	909I	5 1/8"	2 1/2"	1"	0-1/2"	1 lbs
	909I	-	2 5/8"	2 1/2"	-	4 lbs

All steel convectors come standard with end caps. All pedestal style steel convectors come standard with pedestals. Outlet Mesh: Price per foot. 14-Gauge Front Cover: add 10% to heater price. Standard color included in base price. Other colors available. See paint policy page for information on custom paint colors. When ordering, specify heater catalog number, voltage, phase, suffix catalog number for built-in controls, color, and options. If color not specified, standard color is Beige.

\*Add suffix color code (i.e. -W for white, -B for black, etc.) \*\* Built-in duplex receptacle available.

### Optional Accessories - 911I

CATALOG NO.*	DESCRIPTION	COMPATIBLE WITH	SHIP WT.
BLANK SECTIONS	BIH-D5PBS2	911I Heaters	10 lbs
	BIH-D5PBS3		13 lbs
	BIH-D5PBS4		17 lbs
	BIH-D5PBS5		21 lbs
	BIH-D5PBS6	911I Heaters	25 lbs
	BIH-D5PBS8		32 lbs
	BIH-D5PBS10		42 lbs
PEDESTAL LEG KITS	BIP-C5P2	Legs must be ordered with 911I Heaters/Blanks	3 lbs
	BIP-C5P3		4 lbs
	BIP-C5P4		5 lbs
END CAPS	BIC-D5ECR1	911I Heaters/Blanks	1 lbs
	BIC-D5ECL1	911I Heaters/Blanks	1 lbs

All steel convectors come standard with end caps. All pedestal style steel convectors come standard with pedestals. Outlet Mesh: Price per foot. 14-Gauge Front Cover: add 10% to heater price. Standard color included in base price. Other colors available. See paint policy page for information on custom paint colors. If color not specified, standard color is Beige. When ordering, specify heater catalog number, voltage, phase, suffix catalog number for built-in controls, color, and options. Specify color for pedestal legs.

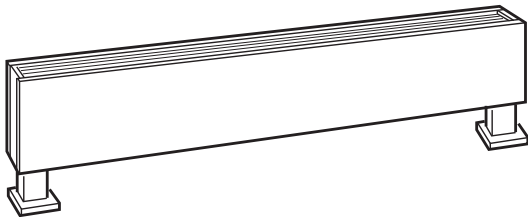
\*Add suffix color code (i.e. -W for white, -B for black, etc.)

# BAI (909I) & BAPI (911I) SERIES

## Commercial Steel Sill-Height Convectors

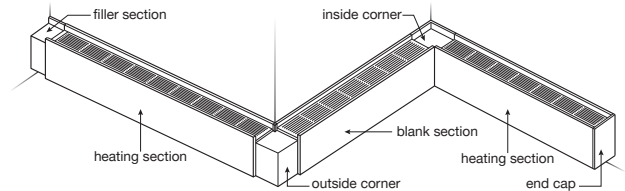
### Dimensions and Clearances:

Cat. No.	Dimensions	
	H	D
909I & 911I	5 1/2"	3"

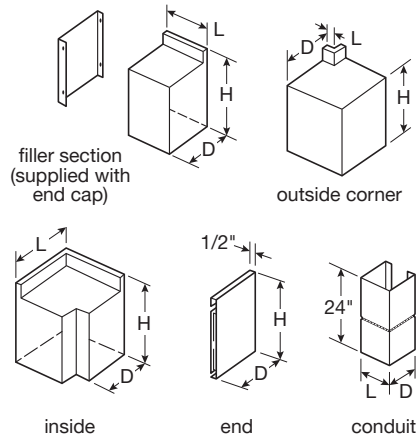
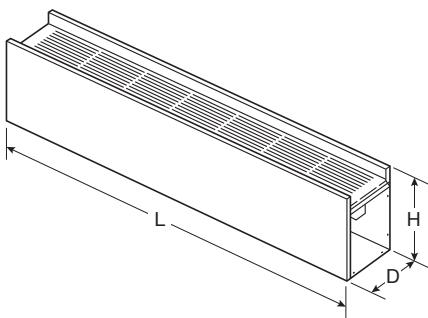


### Typical Installation

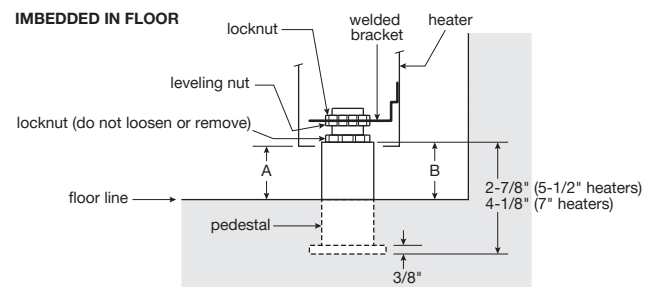
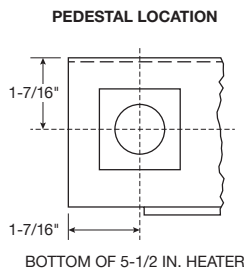
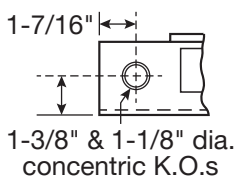
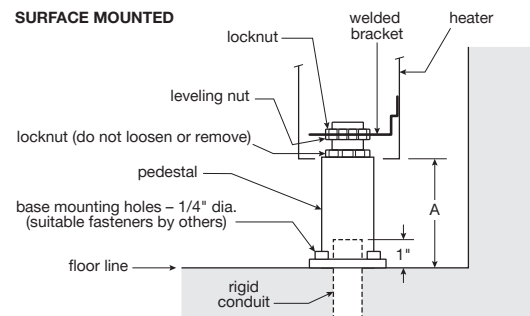
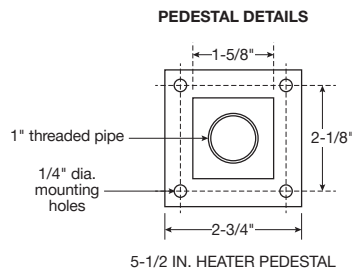
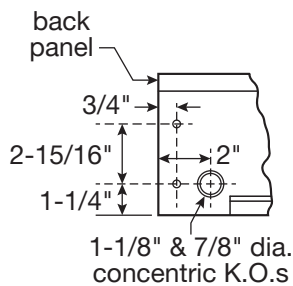
Minimum Mounting Height Above Floor	
Up to 250W/Ft.	1 3/4"



### Optional Accessories:



### Knockouts and Mounting Holes and Pedestals:

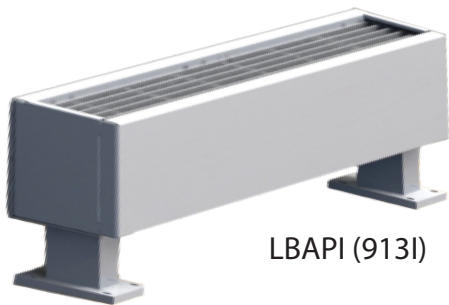


# LBAI (912I) & LBAPI (913I) SERIES

Commercial Steel High Watt Density Sill-Height Convactor



LBAI (912I)



LBAPI (913I)

## Applications:

- Bedrooms
- Living/Family Room
- Kitchens
- Bathrooms
- Basements
- Offices
- Conference Rooms
- Hallways
- Waiting Rooms



White



Beige



Charcoal Grey



Bronze



Black



Aluminum



Custom and/or Anodized  
Colors also Available

## Standard Construction Features:

- Ideal for primary, secondary or supplemental heat, under-the-window heat loss and condensation prevention
- Extruded, aluminum grille provides more finished design and appearance
- Durable front cover constructed of 16-gauge steel (optional 14-gauge available)
- Mounting Flexibility: 912 Sill Height (non-pedestal) and 913 pedestal-mounted
- Units may contain 1–3 heating elements that yield a wide range of high watt density heating capacities (see specifications)
- Blend into any décor with 8 standard color options or custom finishes available upon request
- Locate at sill height (or lower) or run from mullion-to-mullion
- Units can be mounted from wall-to-wall or as discrete units in standard lengths of 28 in. to 10 ft.
- Optional built-in controls include: line voltage thermostat (SPST or DPST); power on/off switch; power relay; or transformer relay (see specifications)
- Optional 1/4 in. mesh located under the discharge grille to deter insertion of objects and restriction of airflow
- Right- or left-hand entry/wiring flexibility with identical pre-wired junction boxes at either end
- End-to-End wire-way provided for ease of wiring; and rated per the NEC conduit size and rating codes. Please consult factory for proper sizing and specifications
- Easy connection of supply wiring from bottom, rear or end, as well as multiple wiring of adjacent heaters from one entry point
- For service, all internal parts are accessible by removing cover

# LBAI (912I) & LBAPI (913I) SERIES

## Commercial Steel High Watt Density Sill-Height Convactor

### Lengths

Length	28"	3'	4'	5'	6'	8'	10'	
Shipping Weight	5"	17 lbs	21 lbs	28 lbs	35 lbs	42 lbs	56 lbs	70 lbs

NOTE: All models are NON-STOCK, MADE-TO-ORDER. When ordering, specify quantity, catalog number, voltage, wattage, optional controls, and color. Consult sales representative for lead times. Voltage, wattage, optional controls, and color. Consult sales representative for lead times.

### Watts per Ft.\*

1 Element*	125	188	250
2 Elements*	375	500	
3 Elements*	564	625	750

### Voltages\*

Single Phase*	208	240	277
	347	600	
Three Phase*	208	240	600

\*Specifications may vary by length. Consult sales representative for additional details.

### Optional Accessories - 912I

CATALOG NO.*		COMPATIBLE WITH	HEIGHT	DEPTH	LENGTH	ADDITIONAL LENGTH	SHIP WT.	
BLANK SECTIONS	BIH-D7SBS21	912I	7"	5"	28"	-	14 lbs	
	BIH-D7SBS31				3'	-	18 lbs	
	BIH-D7SBS41				4'	-	24 lbs	
	BIH-D7SBS51				5'	-	30 lbs	
	BIH-D7SBS61				6'	-	36 lbs	
	BIH-D7SBS81				8'	-	48 lbs	
	BIH-D7SBS101				10'	-	60 lbs	
END CAPS	LEFT	BIC-D7ECL1**	912I	7"	4 1/4"	-	1/8"	1 lbs
	RIGHT	BIC-D7ECR1**	912I	7"	4 1/4"	-	1/8"	1 lbs
FILLER SECTIONS (FIELD CUTTABLE)	BIH-D7SFL3	912I	7"	6 1/8"	4	0-3	2 lbs	
	BIH-D7SFL6**	912I	6 1/8"	4 1/2"	7	3-6	3 lbs	
	BIH-D7SFL9**	912I	6 1/8"	4 1/2"	10	6-9	4 lbs	
	BIH-D7SFL12**	912I	6 1/8"	4 1/2"	13	9-12	5 lbs	
	BIH-D7SFL18**	912I	6 1/8"	4 1/2"	19	15-18	6 lbs	
CORNERS	INSIDE	BIH-D7SIC	912I	6 1/8"	4 1/2"	6"	5-5 1/2"	4 lbs
	OUTSIDE	BIH-D7SOC	912I	6 1/8"	4 1/2"	1"	0-1/2"	2 lbs
	CONDUIT	BIH-D7SHCC	912I	-	-	-	-	5 lbs

All steel convectors come standard with end caps. All pedestal style steel convectors come standard with pedestals. Outlet Mesh: Price per foot. 14-Gauge Front Cover: add 10% to heater price. Standard color included in base price. Other colors available. See paint policy page for information on custom paint colors. When ordering, specify heater catalog number, voltage, phase, suffix catalog number for built-in controls, color, and options. If color not specified, standard color is Beige.

\*Add suffix color code (i.e. -W for white, -B for black, etc.) \*\*Built-in duplex receptacle available.

### Optional Accessories - 913I

CATALOG NO.*		DESCRIPTION	COMPATIBLE WITH	SHIP WT.
BLANK SECTIONS	BIH-D7PBS2	28-Inch Blank Section	913I Heaters	14 lbs
	BIH-D7PBS3	3-Foot Blank Section		18 lbs
	BIH-D7PBS4	4-Foot Blank Section		24 lbs
	BIH-D7PBS6	6-Foot Blank Section	913I Heaters	36 lbs
	BIH-D7PBS8	8-Foot Blank Section		48 lbs
	BIH-D7PBS10	10-Foot Blank Section		60 lbs
PEDESTAL LEG KITS	BIP-D7P2	Pedestal Leg Kit for 2, 3 & 4 ft. units (quantity 2)	Legs must be ordered with 913I Heaters/Blanks	4 lbs
	BIP-D7P3	Pedestal Leg Kit for 5, 6 & 8 ft. units (quantity 3)		5 lbs
	BIP-D7P4	Pedestal Leg Kit for 10 ft. unit (quantity 4)		7 lbs
END CAPS	RIGHT	BIC-D7ECR1	913I Heaters/Blanks	1 lbs
	LEFT	BIC-D7ECL1	913I Heaters/Blanks	1 lbs

All steel convectors come standard with end caps. All pedestal style steel convectors come standard with pedestals. Outlet Mesh: Price per foot. 14-Gauge Front Cover: add 10% to heater price. Standard color included in base price. Other colors available. See paint policy page for information on custom paint colors. If color not specified, standard color is Beige. When ordering, specify heater catalog number, voltage, phase, suffix catalog number for built-in controls, color, and options. Specify color for pedestal legs.

\*Add suffix color code (i.e. -W for white, -B for black, etc.)



# LBAI (912I) & LBAPI (913I) SERIES

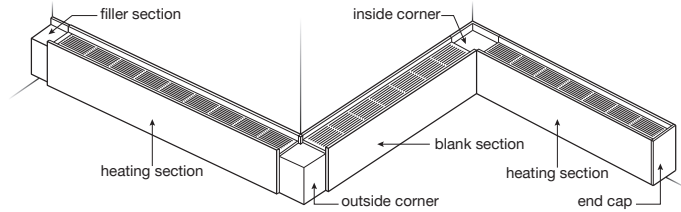
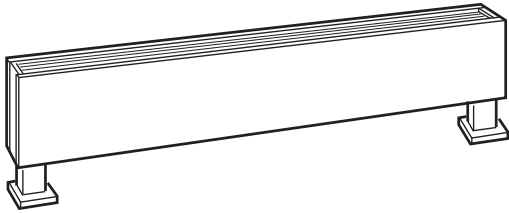
## Commercial Steel High Watt Density Sill-Height Convactor

### Dimensions and Clearances:

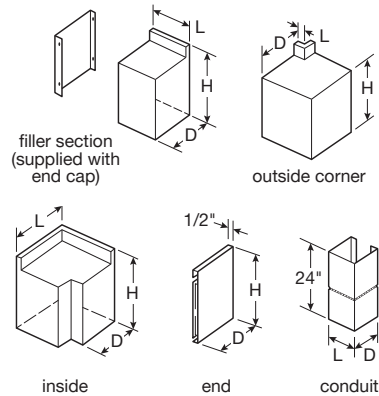
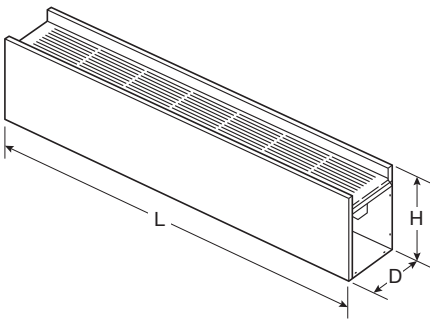
Cat. No.	Dimensions	
	H	D
912I & 913I	7"	5"

### Typical Installation

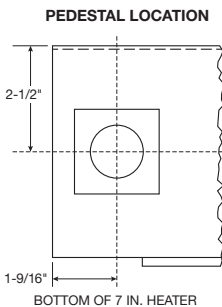
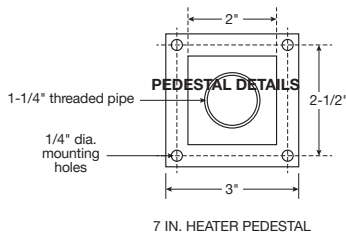
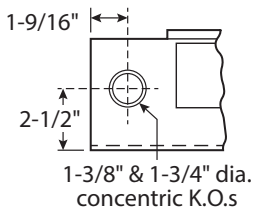
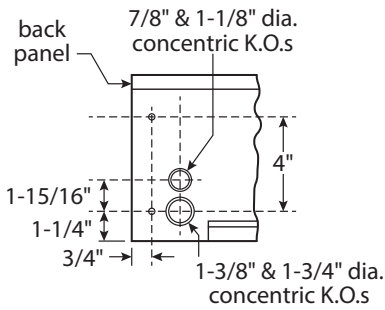
Minimum Mounting Height Above Floor	
Up to 250W/Ft.	1 3/4"
Over 250W/Ft.	3"



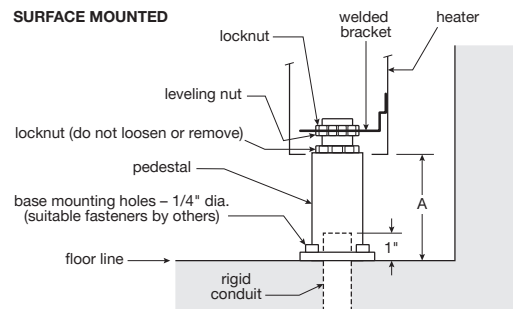
### Optional Accessories:



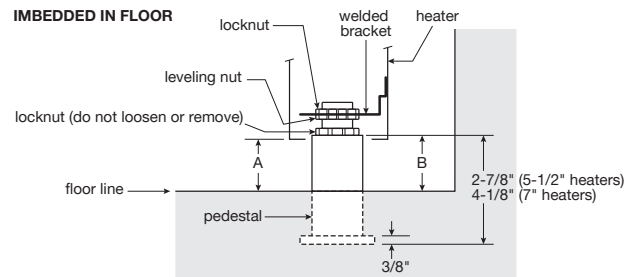
### Knockouts and Mounting Holes and Pedestals:



#### SURFACE MOUNTED



#### IMBEDDED IN FLOOR



# BMI (914I) SERIES

## Mini Architectural Aluminum Draft Barrier



### Applications:

- Living Rooms
- Bedrooms
- Offices
- Hallways & Lobbies
- Condos
- Conference Rooms
- Retail Spaces
- Floor-to-Ceiling Curtain Walls



White



Beige



Charcoal Grey



Bronze



Black



Aluminum



Custom and/or Anodized Colors also Available

### Standard Construction Features:

- Ideal for elegant, supplemental comfort under windows for heat loss and condensation prevention
- Unique two-piece extruded aluminum “Snap-Lock” closure design secures the one-piece top and front grilles to the one-piece back and bottom providing a rapid, secure fit along the length of the unit
- Bottom inlet air grille utilizes slots which create an attractive installation where inlet grille is visible
- Unit comes standard with rear knockouts and unpainted back. Optional custom-painted backs and rear knockout options are available
- Blend into any décor with custom paint and anodizing upon request
- Units can be mounted on floor, wall, or pedestals
- Customize space with wall-to-wall installation, or as discrete units in standard lengths of 2–10 ft.
- Units are available in a wide range of heating capacities per foot length (see specification charts)
- Inside and outside corners can be ordered factory-cut and mitered to fit difficult or unusual spaces
- Architectural-style end sections give a finished look when used as a stand-alone or where a wall-to-wall run is not desired
- Full line of trim accessories, including matching blank sections, end caps, filler sections, inside and outside corners, diagonal end sections, and splice plates
- Optional built-in controls include: line-voltage thermostat, on/off switch, and power relay
- Right -or left-hand entry and built-in wireway (equivalent to 1/2 in. conduit) with factory-installed wiring
- Easy connection of supply wiring from bottom, rear or end, as well as multiple wiring of adjacent heaters from one entry point
- Thermal limit switch with linear type (full length) sensing bulb provides constant protection against overheating. Switch will automatically reset when normal operating temperatures are restored
- Discharge air openings in top grille are punched slots which are pencil-proof for safety

# BMI (914I) SERIES

## Mini Architectural Aluminum Draft Barrier

### Lengths

Length	2'	28"	3'	4'	5'	6'
Shipping Weight	8 lbs	8 lbs	10 lbs	13 lbs	17 lbs	20 lbs

NOTE: Cabinet available up to 10 ft. length. Custom length cabinets are priced with heater and blank to the next larger size. Backs are provided standard with no finish. For finished backs, add 10% to list price. Knockouts on back omitted by request only. All models are NON-STOCK made-to-order. When ordering, specify quantity, catalog number, voltage, wattage, optional controls, and color. Consult sales representative for lead times.

### Watts per Ft.\*

100	125
150	188

\*Specs vary by length. Refer to the submittal sheet for full details.

### Voltages\*

Single Phase	120	208	240
	277	347	600

\* Only single phase available

### Optional Accessories:

CATALOG NO.*	DIMENSIONS (W x H x L)	SHIP WT.
BIH-ADBS1B	2 5/8" x 4" x 2'	4 lbs
BIH-ADBS2B	2 5/8" x 4" x 28"	7 lbs
BIH-ADBS3B	2 5/8" x 4" x 3'	9 lbs
BIH-ADBS4B	2 5/8" x 4" x 4'	12 lbs
BIH-ADBS5B	2 5/8" x 4" x 5'	16 lbs
BIH-ADBS6B	2 5/8" x 4" x 6'	19 lbs

NOTE: Blank section grilles are not punched unless requested. Additional sections available for cabinets up to 10 ft. length.



Bottom inlet unit is only 2 5/8 in. wide by 4 in. tall. Can be mounted to wall (2 in. above floor) or in front of window mounted on pedestals.



Hollow pedestals are 3 in. tall and allow concealed wiring access when stubbed through concrete floors.

CATALOG NO.*	DESCRIPTION	ADDITIONAL SPACE REQUIRED	SHIP WT.
BIC-ADECL	End Cap - Left	1/8"	1 lbs
BIC-ADECR	End Cap - Right	1/8"	1 lbs
BIH-ADICB	Inside Corner-Bottom In	8-1/2"	5 lbs
BIH-ADOCB	Outside Corner-Bottom In	8-1/2"	5 lbs
BIH-ADSP	Splice Plate	0-1/4"	1 lbs
BIC-ADFL3	Filler Section 3 in. (Field Cuttable)	0-3"	1 lbs
BIC-ADFL6	Filler Section 6 in. (Field Cuttable)	3-6"	1 lbs
BIC-ADFL9	Filler Section 9 in. (Field Cuttable)	6-9"	1 lbs
BIC-ADFL12	Filler Section 12 in. (Field Cuttable)	9-12"	1 lbs
BIC-ADFL18	Filler Section 18 in. (Field Cuttable)	12-18"	1.5 lbs
BIC-ADFL24	Filler Section 24 in. (Field Cuttable)	18-24"	1.5 lbs
BIH-ADDRB	Receptacle Section-Bottom In Must use 1 ft. Blank Section	12"	2 lbs
BIP-ADPK3A**	Architectural Pedestal	-	2 lbs
BIB-VVSO1***	Stand-Off Bracket	-	1 lbs

\*Add suffix color code (i.e. -W for white, -B for black, etc.), -C for clear anodized, -B for bronze anodized. \*\*One pedestal. Two pedestals required on units up to 10 ft. and three required on units over 10 ft.

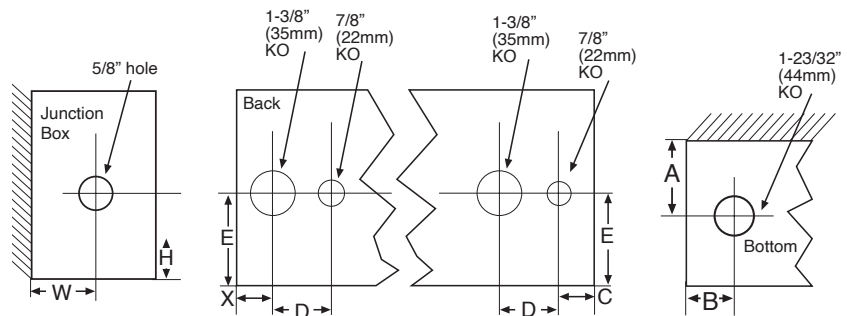
\*\*\* All Stand-off Brackets come standard as Beige.

- End caps not included
- Filler section can be cut in field

### Dimensions and Clearances:

Height	4" 101.6mm
Width	2 5/8" 67mm
Length	24"-12' 610mm-3658mm

A	1.27"	32mm
B	2.00"	51mm
C	1.63"	41mm
D	1.37"	35mm
E	1.53"	39mm
H	1.81"	46mm
W	1.25"	32mm
X	1.00"	25.4mm



Pedestal placement and KOs shown are for standard units. Custom enclosures and/or heat decks will have pedestal placement and KOs in various locations. Consult factory.

### Optional Built-In Controls:

Suffix*	OPTIONAL BUILT-IN CONTROLS	USE CASE(S)	RATINGS & DESCRIPTIONS
T	Single-Pole Thermostat	Ideal for localized control	Rated 24 amps @ 120-240 VAC and 22 amps @ 277 VAC. Pilot duty rating of 125 VA (all voltages). 60-120°F temperature range; adjustable through outlet grille-tamper-resistant. (See Note B) Not available on three-phase heaters.
DS	Power On/Off Switch	Ideal for servicing	Double-pole, rated 20 amp @ 120-277 VAC. (See Note A) For three-phase heaters and single-phase heaters over 20 amps specify two.
PR**	Power Relay	Ideal for multiple heater connections or BMS / EMS connections	Single-pole magnetic relay, rated 18 amps @ 120-600 VAC. (See Note C) Specify control voltage. Rated 24 amps @ 120-240 VAC and 22 amps @ 277 VAC. Pilot duty rating of 125 VA — all voltages (See Note C & D)

\* Addition To Basic Catalog No.

\*\* See Note D

NOTE: A. For single-phase loads over 20A and all three-phase loads, specify (2) power on/off switches. B. This control option is not available on single-phase heaters over 24 amps (22 amps on 277 VAC). C. Specify holding coil voltage where applicable. D. Add 4 in. to the cabinet length.

# BHI (916I) SERIES

Architectural Aluminum High Watt Density Draft Barrier



## Applications:

- Living Rooms
- Bedrooms
- Offices
- Hallways & Lobbies
- Condos
- Conference Rooms;
- Retail Spaces
- Floor-to-Ceiling Curtain Walls



White



Beige



Charcoal Grey



Bronze



Black



Aluminum



Custom finishes also available

## Standard Construction Features:

- Heating element design accommodates a multitude of applications and heating needs (see diagram on next page)
- Unique two-piece extruded aluminum closure design secures the one-piece top and front grilles to the one-piece back and bottom providing a rapid, secure fit along the length of the unit
- Front/bottom inlet air grille utilizes slots which create an attractive installation where inlet grille is visible
- Blend into any décor with custom finishes upon request
- Units can be mounted on floor, wall, or pedestals
- Customize space with wall-to-wall installation, or as discrete units in standard lengths of 28 in. to 12 ft.
- Units are available in a wide range of heating capacities per foot length (see specifications)
- Architectural-style end sections give a finished look when used as a stand-alone or where a wall-to-wall run is not desired
- Inside and outside corners can be ordered factory-cut and mitered to fit difficult or unusual spaces
- Right -or left-hand entry and built-in wireway (equivalent to 3/4 in. conduit) with factory-installed wiring
- Full line of trim accessories, including matching blank sections, end caps, filler sections, inside and outside corners, diagonal end sections, and splice plates
- Optional built-in controls include: line-voltage thermostat; two-stage thermostat; on/off switch; transformer relay; power relay.
- Easy connection of supply wiring from bottom, rear or end, as well as multiple wiring of adjacent heaters from one entry point
- Thermal limit switch with linear type (full length) sensing bulb provides constant protection against overheating. Switch will automatically reset when normal operating temperatures are restored
- Discharge air openings in top grille are punched slots which are pencil-proof for safety

# BHI (916I) SERIES

## Architectural Aluminum High Watt Density Draft Barrier

### 916I (1 Element) Lengths

Length	28"	3'	4'	5'	6'	7'	8'	9'	10'
Shipping Weight	8 lbs	10 lbs	13 lbs	17 lbs	20 lbs	24 lbs	27 lbs	30 lbs	33 lbs

NOTE: Cabinet available up to 12 ft. length. Custom length cabinets are priced with heater and blank to the next larger size. Backs are provided standard with no finish. For finished backs, add 10% to list price. Knockouts on back omitted by request only. All models are NON-STOCK made-to-order. When ordering, specify quantity, catalog number, voltage, wattage, optional controls, and color. Consult sales representative for lead times.

### Watts per Ft.\*

100	125	150
188	250	

### Voltages\*

120	208	240	277
480	347	600	

### 916I (Multiple Elements) Lengths

Length	28"	3'	4'	5'	6'	7'	8'	9'	10'
Shipping Weight	12 lbs	15.5 lbs	20 lbs	25.5 lbs	30 lbs	35 lbs	40 lbs	45 lbs	50 lbs

NOTE: Cabinet available up to 12 ft. length. Custom length cabinets are priced with heater and blank to the next larger size. Backs are provided standard with no finish. For finished backs, add 10% to list price. Knockouts on back omitted by request only. All models are NON-STOCK made-to-order. When ordering, specify quantity, catalog number, voltage, wattage, optional controls, and color. Consult sales representative for lead times.

### Watts per Ft. — 2 Elements\*

375	500
-----	-----

### Voltages — Single Phase\*

208	240	277	347	600
-----	-----	-----	-----	-----

### Watts per Ft. — 3 Elements \*

600	750
-----	-----

### Voltages — Three Phase\*

208	240	600
-----	-----	-----

\*Specs vary by length. Reference the submittal sheet or additional detail

### Optional Built-In Controls:

SUFFIX*	OPTIONAL BUILT-IN CONTROL	RATINGS & DESCRIPTION
T	Single-Pole Thermostat	Rated 25 amps @ 120-240 VAC and 22 amps @ 277 VAC. Pilot duty rating of 125 VA (all voltages). 60–120°F temperature range; adjustable through outlet grille-tamper-resistant. (See Note B) Not available on three-phase heaters.
2T	Double-Pole Thermostat	Rated 25 amps @ 120-240 VAC and 22 amps @ 277 VAC. Pilot duty rating of 125 VA (all voltages). 60–120°F temperature range; adjustable through outlet grille-tamper-resistant. (See Note B for amperage restrictions.)
DS	Power On/Off Switch	Double-pole, rated 20 amp @ 120-277 VAC. (See Note A) For three-phase heaters and single-phase heaters over 20 amps specify two.
TR	Transformer Relay	Single-pole, low voltage relay with built-in transformer (24 VAC control), rated 22 amps @ 120–240 VAC and 22 amps @ 277 VAC. (See note E) 17 amps @ 347V. Not available on three-phase heaters.
PR	Power Relay	Single-pole thermal time delay relay, rated 25 amps @ 120–600 VAC. (See Notes E & F). Specify control voltage.
2ST	2-Stage Thermostat	Rated 24 amps @ 120–240 VAC and 22 amps @ 277 VAC. Pilot duty rating of 125 VA (all voltages). 60–120°F temperature range, adjustable through outlet grille-tamper-resistant. Available on 2- or 3-element, single-phase heaters only.
PDT	Single-Pole Thermostat	Same as -T except Pilot Duty. (See Note C)
2TPD	Double-Pole Thermostat	Same as -2T except Pilot Duty. (See Note C & D)
M	Outlet Mesh	Price per foot

NOTE: \* Addition To Basic Catalog No. (See Note D)

**A.** For single-phase loads over 20A and all three-phase loads, specify (2) power on/off switches. **B.** This control option is not available on single-phase heaters over 25 amps (22 amps on 277 VAC). In combination with the power on/off switch option use the 2ST thermostat option on heaters over 20 amps. **C.** A second transformer relay can be sequenced off the first transformer relay in the same heater. Up to 30 power relays in different heaters can be controlled by (1) single-stage pilot duty thermostat. **D.** Up to 30 power relays in different heater can be controlled by each stage of a two-stage pilot duty thermostat. **E.** Two relays are required on single-phase heaters over 20 amps with a power on/off switch, over 25 amps without a power on/off and on all three-phase heaters. Two relays are available for two-stage on two- or three-element heaters only. **F.** Three power relays are available for three-stage on three-element heaters only.

### Control Combinations:

	No Thermostat or Power ON/OFF Switch	Thermostats					Power ON/OFF (-DS)*	Thermostats & Power ON/OFF Switches					
		1-Pole (-T)	2-Pole (-2ST)	2-Stage (-2ST)	Pilot Duty (-PDT) <sup>2</sup>	2-Stage Pilot Duty (-2SPD) <sup>2</sup>		1-Pole	2-Pole	2-Stage	Pilot Duty	2-Stage Pilot Duty	
916I	No Power controls	x	x	x	x	x	x	x	x	x	x		
	Power Relay (-PR)	x	x	x	x	x	x	x	x	x	x	x	
	2 Power Relays (2-PR)	x		x	x	x	x	x		x	x	x	x
	3 Power Relays (3-PR)	x		x	x	x	x	x		x	x	x	x
	Transformer Relay (-TR)	x	x	x	x	x	x	x	x	x	x	x	
	2 Transformer Relays (-2TR)	x		x <sup>3</sup>	x <sup>3</sup>	x <sup>3</sup>	x <sup>3</sup>	x <sup>3</sup>		x <sup>3</sup>	x <sup>3</sup>	x <sup>3</sup>	

NOTE: **1.** Normal mounting configuration is a thermostat and Power ON/OFF in left junction box; power relay, transformer relay, and pneumatic/electric switch in right junction box. **2.** When used with power relays or transformer relays, pilot duty thermostats will be wired into the coil circuit of the power relay or the 24V side of the transformer relay. The line voltage thermostats will be wired into the power circuit of the heater. **3.** When using two transformer relays with any additional controls (built-in thermostat or Power ON/OFF), please consult factory. **4.** For three-phase units, specify two Power ON/OFF.

# BHI (916I) SERIES

## Architectural Aluminum High Watt Density Draft Barrier

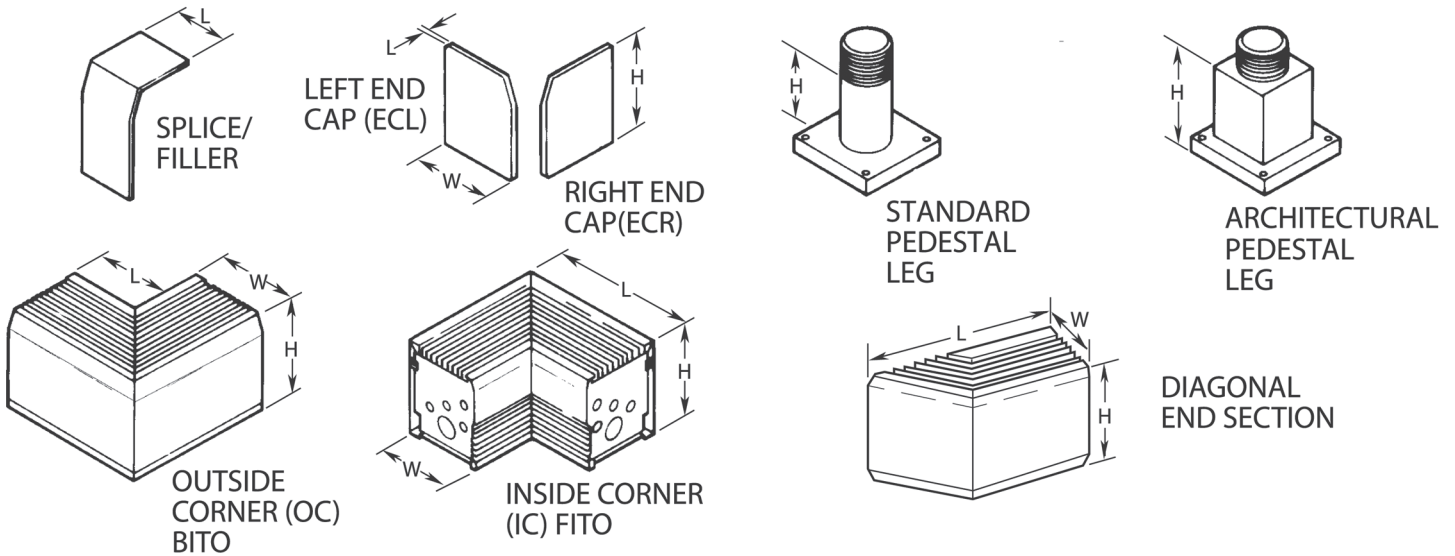
### Blank Sections & Accessories — 916 Series:

CATALOG NO.*	DIMENSIONS (W x H x L)	INLET	SHIP WT.
BIH-A5BS1F	5 3/8" x 7" x 1'	Front	7 lbs
BIH-A5BS1B		Bottom	
BIH-A5BS2F	5 3/8" x 7" x 28"	Front	11 lbs
BIH-A5BS2B		Bottom	
BIH-A5BS3F	5 v" x 7" x 3'	Front	14 lbs
BIH-A5BS3B		Bottom	
BIH-A5BS4F	5 3/8" x 7" x 4'	Front	18 lbs
BIH-A5BS4B		Bottom	
BIH-A5BS5F	5 3/8" x 7" x 5'	Front	22 lbs
BIH-A5BS5B		Bottom	
BIH-A5BS6F	5 3/8" x 7" x 6'	Front	27 lbs
BIH-A5BS6B		Bottom	
BIH-A5BS7F	5 3/8" x 7" x 7'	Front	32 lbs
BIH-A5BS7B		Bottom	
BIH-A5BS8F	5 3/8" x 7" x 8'	Front	37 lbs
BIH-A5BS8B		Bottom	
BIH-A5BS9F	5 3/8" x 7" x 9'	Front	40 lbs
BIH-A5BS9B		Bottom	
BIH-A5BS10F	5 3/8" x 7" x 10'	Front	44 lbs
BIH-A5BS10B		Bottom	

NOTE: Blank section grilles are not punched unless requested.

CATALOG NO.*	DESCRIPTION	ADDITIONAL SPACE REQUIRED	SHIP WT.
BIC-A5ECLS**	End Cap w/Screws - Left		
BIC-A5ECRS**	End Cap w/Screws - Right		
BIH-A5ICF**	Inside Corner-Front In	10"	11 lbs
BIH-A5ICB**	Inside Corner-Bottom In	10"	11 lbs
BIH-A5OCF**	Outside Corner-Front In	5"	7 lbs
BIH-A5OCB**	Outside Corner-Bottom In	5"	7 lbs
BIH-A5DESBLL**	Dec. End Section-Bot. In, Left	12 1/2"	11 lbs
BIH-A5DESBR**	Dec. End Section-Bot. In, Right		11 lbs
BIH-A5DESFL**	Dec. End Section-Front In, Left		7 lbs
BIH-A5DESFR**	Dec. End Section-Front In, Right		7 lbs
BIC-A5SP**	Splice Plate	0-1/4"	1 lbs
BIC-A5FL3**	Filler Section 3 in. (Field Cuttable)	0-3"	1 lbs
BIC-A5FL6**	Filler Section 6 in. (Field Cuttable)	3-6"	1 lbs
BIC-A5FL9**	Filler Section 9 in. (Field Cuttable)	6-9"	2 lbs
BIC-A5FL12**	Filler Section 12 in. (Field Cuttable)	9-12"	3 lbs
BIC-A5FL18**	Filler Section 18 in. (Field Cuttable)	15-18"	5 lbs
BIH-A5DRF**	Receptacle Section-Front In	4 1/2"	2 lbs
BIH-A5DRB**	Receptacle Section-Bottom In		
BIP-A5PK5S*	Standard Pedestal 4 1/8 in. (H)	-	2 lbs
BIP-A5PK5A*	Architectural Pedestal 4 1/8 in. (H)		
BIB-VVSO1***	Stand-Off Bracket	-	1 lbs

\* One pedestal. Two required on units up to 10 ft., three required on units over 10ft.  
 \*\* Add suffix color code (i.e. -W for white, -B for black, etc.), (excludes BIP-A5PK5S - Black only).  
 \*\*\* All Stand-off Brackets come standard as Beige.  
 - End caps not included  
 - Filler section can be cut in field

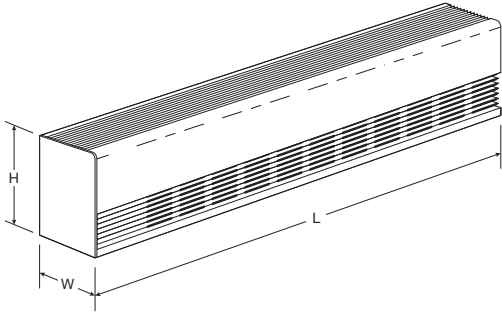




# BHI (916I) SERIES

## Architectural Aluminum High Watt Density Draft Barrier

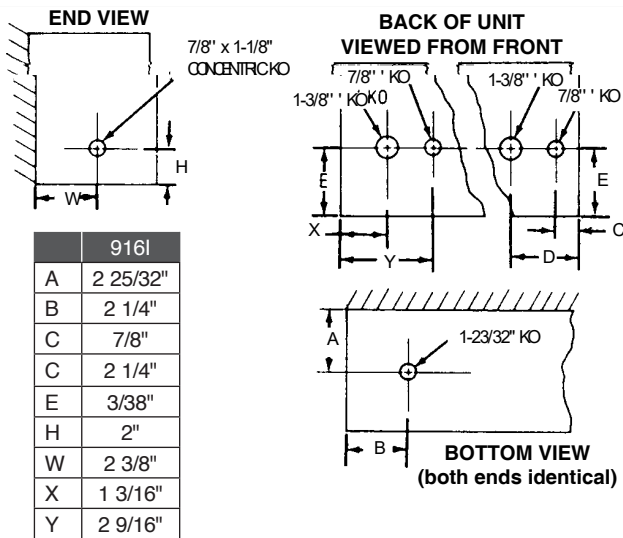
### Dimensions and Clearances:



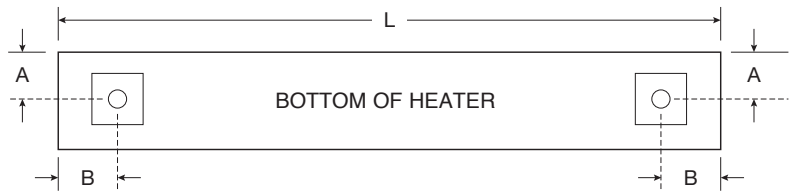
Cat. No.	Dimensions		
	H	W	L
916I	7"	5 5/8"	28"-12'

Minimum Mounting Height Above Floor	
916I Front Inlet	0"
916I Bottom Inlet (100W/Ft.-250W/Ftr.)	1-3/4"
916I Bottom Inlet (375W/Ft.-750W/Ft.)	3"

### Knockouts:



### Pedestal Placement:

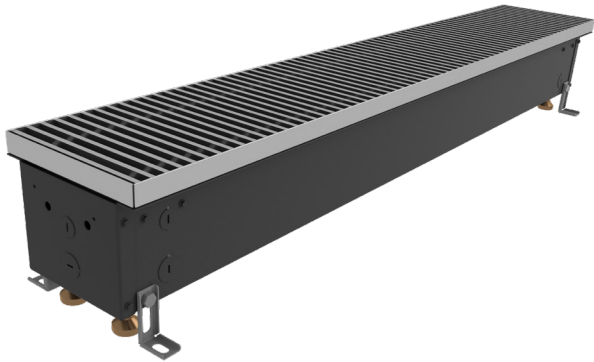


Cat. No.	Standard Pedestal Placement		
	A	B	L
916I	2 13/16"	2 1/4"	28-12"

NOTE: Consult Factor for pedestal placement for units beyond 12ft.

# TRH (943I) SERIES

## In-Floor Perimeter Convection Heater



### Applications:

- Conference Rooms
- Hallways
- Lobbies
- Offices
- Retail Spaces
- Floor-to-Ceiling Curtain Walls



White



Black



Aluminum

---

### Standard Construction Features:

- Maintain the building's heat envelope by creating an effective draft barrier, preventing condensation on exterior windows and curtain walls and preserving the primary HVAC system from inefficiency and higher utility costs
- UL Listed with a sealed junction box and raised connection points, plus a wire screen beneath the grille catches debris to prevent it from entering the unit. Front/bottom inlet air grille utilizes slots which create an attractive installation where inlet grille is visible
- Get maximum heat output — 30% more watts per cu. ft. than the competition<sup>1</sup> — with the most compact unit in its class<sup>2</sup>
- Available in 2- to 5-foot modular lengths for easy one-person handling and wiring when adding multiple units
- Drops into the floor, leaving only the architectural grille visible, so you get unobstructed sight lines and more design space to work with
- Listed for concrete pour, mounting with legs or using a frame. Included leveling legs raise the unit to the appropriate height for flush installations and optional mounting legs provide an additional securing point
- All units are factory wired and preassembled for out-of-the-box readiness. drop-in installation, and easy access for cleaning and maintenance, with one service professional
- Can support double the UL weight test rating — durable enough to stand up to foot traffic in busy space and won't show dents or scratches as easily as other heaters

# TRH (943I) SERIES

## In-Floor Perimeter Convection Heater

### Models & Specifications:

MODEL	LENGTH	WATTS PER FT*	TOTAL WATTS	AMPERAGE			# OF ELEMENTS	SHIP WEIGHT LBS.
				208 VAC	240 VAC	277 VAC		
943IB 02188	2'	188	376 (1282)	1.8	1.6	1.4	1	30
943IB 02250		250	500 (1705)	2.4	2.1	1.8		
943IB 03188	3'	188	564 (1923)	2.7	2.4	2.0	1	40
943IB 03250		250	750 (2558)	3.6	3.1	2.7		
943IB 04188	4'	188	752 (2564)	3.6	3.1	2.7	1	52
943IB 04250		250	1000 (3410)	4.8	4.2	3.6		
943IB 05188	5'	188	940 (3205)	4.5	3.9	3.4	1	60
943IB 05250		250	1250 (4263)	6.0	5.2	4.5		

### Optional Accessories:

ACCESSORY	DESCRIPTION
Blank Sections	12", 18", 2', 3', 4', 5'
Corner Sections	90° (without grille)

NOTES: All models are NON-STOCK made-to-orders ordering, specify quantity, catalog number, voltage, wattage, optional controls, and color. Consult sales representative for lead times.

For all sizes above 5' the units can be modularized together- i.e. for a 10: two 5'. Reference instruction manual for details.

### Blank & Corner Sections:

CATALOG NO.	DESCRIPTION	DIMENSIONS	SHIP WEIGHT LBS
BIE-BLKO1#-**	1' Blank Section	See unit dimension chart	12
BIE-BLK18#-**	1.5' Blank Section	See unit dimension chart	18
BIE-BLK02#-**	2' Blank Section	See unit dimension chart	24
BIE-BLK03#-**	3' Blank Section	See unit dimension chart	32
BIE-BLK04#-**	4' Blank Section	See unit dimension chart	40
BIE-BLK05#-**	5' Blank Section	See unit dimension chart	48
BIE-CNR90XX	90° Corner Blank Section (see note A)	See unit dimension chart	15

NOTES: All models are NON-STOCK made-to-order ordering and will need to be configured.

Consult sales representative for additional details and leadtimes.

# - This is the grille type identifier. Add suffix FF for Flush Fixed or SF for surface fixed. Default is FF.

\*\* - This is the grille finish identifier. Add A for Aluminum, W for White, B for Black. Default is Aluminum

A - corner sections are only available without grilles

### Optional Built-In Controls:

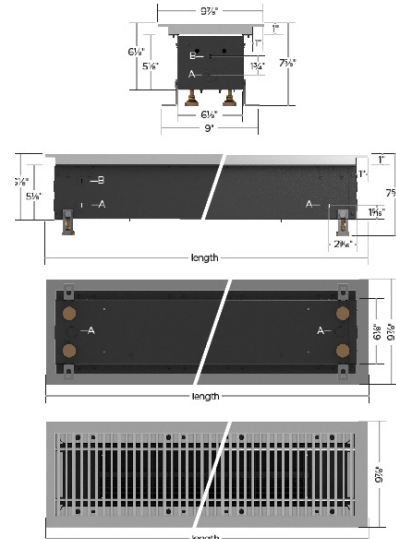
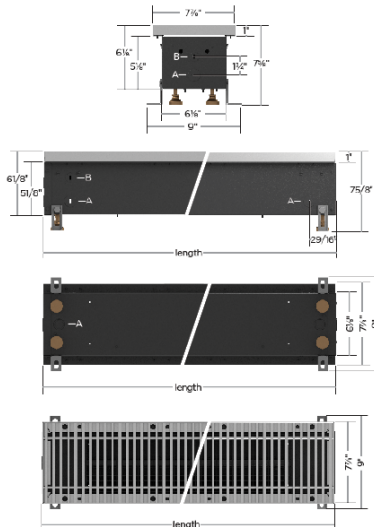
SUFFIX*	OPTIONAL BUILT-IN CONTROL	USE CASE(S)	RATINGS & DESCRIPTION
DS	Power On/Off Switch	Ideal for servicing	Double-pole, rated 20 amp @ 120-277 VAC. (See Note A) For three-phase heaters and single-phase heaters over 20 amps specify two.
TR	Transformer "Relay"	Ideal for remote, low voltage thermostats	Single-pole, low voltage relay with built-in transformer (24 VAC control), rated 22 amps @ 120-240 VAC and 22 amps @ 277 VAC. (See note E) 17 amps @ 347V. Not available on three-phase heaters.
PR	Power Relay	Ideal for multiple heater connections or BMS / EMS connections	Single-pole thermal time delay relay, rated 25 amps @ 120-600 VAC. (See Notes E & F). Specify control voltage.

#### FLUSH GRILLE DIMENSIONS

Size	2 ft.	3 ft.	4 ft.	5 ft.
Length	24 1/8" (613mm)	36 1/8" (918mm)	48 1/8" (1,223mm)	60 1/8" (1,528mm)
Grille Width	7 7/8" (200mm)			
Cabinet Width	6 1/8" (156mm)			
Depth	6 1/8" (156mm)			
A - Diameter (Nested)	1/2" (3/4")			
B - Diameter	1/2"			
Leveling Leg Adjustment	1-2" (26-52mm)			

#### SURFACE GRILLE DIMENSIONS

Size	2 ft.	3 ft.	4 ft.	5 ft.
Length	26 1/8" (664mm)	38 1/8" (969mm)	50 1/8" (1,273mm)	62 1/8" (1,578mm)
Grille Width	9 7/8" (251mm)			
Cabinet Width	6 1/8" (156mm)			
Depth	6 1/8" (156mm)			
A - Diameter (Nested)	1/2" (3/4")			
B - Diameter	1/2"			
Leveling Leg Adjustment	1-2" (26-52mm)			



# THERMOSTATS

Line voltage



	MS26	MD26	M601W	M602W	M601TPW	M602TPW	M611W	612W
<b>Action</b>	Snap Action		Snap Action		Snap Action		Snap Action	
<b>Type</b>	SPST	DPST	SPST	DPST	SPST	DPST	SPST	DPST
<b>Watt Rating</b>	Model MD26 has Positive OFF		Model M602W has Positive OFF		Model M602TPW has Positive OFF		Model M612W has Positive OFF	
<b>120v</b>	22A		22A		22A		22A	
<b>208v</b>	22A		22A		22A		22A	
<b>240v</b>	22A		22A		22A		22A	
<b>277v</b>	18A		18A		18A		18A	
<b>Pilot Duty</b>	No		Yes 125VA		Yes 125VA		Yes 125VA	
<b>Temp. Range (°F)</b>	50°F to 80°F		45°F to 75°F		45°F to 75°F		45°F to 75°F	
<b>Differential</b>	+/- 5°F		+/- 4°F		+/- 4°F		+/- 2 ½°F	
<b>Features</b>	These economy thermostats are the snap action type that are used in apartment construction. Good thermostat for its value. Ideal for radiant cove heaters and baseboard.		These bi-metal snap-action thermostats are sensitive. Large knob allow for easy adjustment.		Same as M601W and M602W except the cover mounting cover offer tamper-proof feature.		Built-in heat anticipator assures closer control of room temperature.	



	M600MTP	M600S	T100	T200
<b>Action</b>	Modulation (2-stage)	Simultaneous switching (double ckt)	Snap Action with Heat Anticipator	
<b>Type</b>	DPST		SPST	DPST
<b>Watt Rating</b>				
<b>120v</b>	22A	22A	22A	
<b>208v</b>	22A	22A	22A	
<b>240v</b>	22A	22A	22A	
<b>277v</b>	18A	18A	18A	
<b>Pilot Duty</b>	Yes 125VA	Yes 125VA	Yes 125VA	
<b>Temp. Range (°F)</b>	45°F to 75°F	50°F to 80°F	50°F to 90°F	
<b>Differential</b>	Accuracy: Within 3°F of setpoint	Accuracy: Within 3°F of setpoint	+/- 2 ½°F	
<b>Features</b>	One thermostat controls two separate heating circuits and reduces input during light load periods. Second stage activates when temperature drops to approx. 1-1/2°F below the first stage turn-ON temperature.	Simultaneous control of two heating loads. Used where the total load slightly exceeds capacity of a single switch, where two thermostats are impractical. Both switches are calibrated to operate at approx. the same temperature.	Line voltage thermostat with everything; Performance, reliability, durability, and a large knob. Built-in heat anticipation assures close temperature regulation. Large knob for easy rotation.	



# THERMOSTATS

## Electronic Line Voltage



	TH108PLUSA	TH114A240DBA	TH106A	TL8230A1003/U
<b>Action</b>	Triac: Silent Operation	Electronic Switch	Triac: Silent Operation	Microprocessor
<b>Type</b>	12.5A Resistive 2-wire SPST	15 A Resistive 4-wire DPST	16.7A Resistive 2-wire SPST	16.7 A Resistive 4-wire DPST
<b>Watt Rating</b>	Minimum: 2-amp load	No minimum load	Minimum: 2-amp load	No minimum load
<b>120v</b>	n/a	n/a	2000 watts	n/a
<b>208v</b>	n/a	n/a	n/a	3120 watts
<b>240v</b>	3000 watts	3600 watts	4000 watts	3600 watts
<b>277v</b>	n/a	n/a	n/a	n/a
<b>Pilot Duty</b>	No	No	No	No
<b>Temp. Range (°F)</b>	40°F to 85°F	40°F to 85°F	40°F to 85°F	40°F to 85°F
<b>Differential</b>	Accuracy: Within +/- 0.27°F	Accuracy: Within 1°F of setpoint	Accuracy: Within +/- 0.27°F	Accuracy: Within 1°F of setpoint
<b>Features</b>	Digital, non-programmable 12.5amp model delivers exceptional accuracy. Ideal for radiant ceiling panels and baseboard. Not for fan-forced heaters.	Digital, non-programmable model delivers exceptional accuracy. Ideal for radiant ceiling panels and baseboard. Can be used for fan-forced heaters.	Digital, programmable high capacity model delivers exceptional accuracy. Ideal for radiant ceiling panels and baseboard. Can be used for fan-forced heaters and resistive loads.	Digital, programmable model delivers exceptional accuracy. Ideal for radiant ceiling panels and baseboard. Can be used for fan-forced heaters.



## Electronic Low Voltage



	CNTLTSTDNP1H1C	TH5220D1029	CNTLSSPBMS	1006998
<b>Action</b>	Electronic Switch	Electronic Switch	Electronic Switch	Bimetal
<b>Type</b>	24V .015 -1.0A @ 30V 2-wire	24V .015 -1.0A @ 30V 5-wire	24V .015 -1.0A @ 30V 3-wire	SPST
<b>Watt Rating</b>	-	-	-	-
<b>120v</b>	n/a	n/a	n/a	n/a
<b>208v</b>	n/a	n/a	n/a	n/a
<b>240v</b>	n/a	n/a	n/a	n/a
<b>277v</b>	n/a	n/a	n/a	n/a
<b>Pilot Duty</b>	24VAC	24VAC	24VAC	30VA at 30V max
<b>Temp. Range (°F)</b>	40°F to 90°F	40°F to 90°F	40°F to 90°F	50°F to 90°F
<b>Differential</b>	Accuracy: Within 1°F of setpoint	Accuracy: Within 1°F of set	Accuracy: Within 1°F of setpoint	Accuracy: +/-3°F of setpoint
<b>Features</b>	Digital, Non-Programmable 24V delivers exceptional accuracy. (Heat Only)	Digital, Non-Programmable, 24V 2-stage 5-7 wire heat and cool thermostat. One-touch temperature control with exceptional accuracy. Ideal for plenum heaters, and HVAC systems.	Digital, Programmable touchscreen two stage thermostat runs 2/3 elements on stage 1 and full heat for stage 2. Comes with BACnet MS/TP BMS compatibility, 7 day scheduling, cooling mode (Fan-Only), temporary override, vacation mode, and keypad lock.	Single Stage, Slide Switch

# Controls

## Specialty Controls



	WR80	JC80EP	WT11A	WT12A	LTR SERIES
<b>Action</b>	Snap Action Switch	Snap Action Switch	Positive snap action switch		Electronic Relays
<b>Type</b>	SPST	SPST	SPDT	DPST	Microprocessor base design
<b>Watt Rating</b>			NEMA 4X rated		These electronic relays have been designed for silent control of high voltage resistive loads from a low voltage control circuit. Inductive motor loads can also be controlled (120V to 240V only). Compatible with 24V thermostats.
<b>120v</b>	25A	22A	25A	25A	
<b>208v</b>	22A	22A	25A	25A	
<b>240v</b>	22A	22A	25A	25A	
<b>277v</b>	18A	22A	22A	22A	
<b>Pilot Duty</b>	Yes 125VA	Yes 125VA	Yes 125VA	Yes 125VA	
<b>Temp. Range (°F)</b>	20°F to 80°F	20°F to 80°F	40°F to 110°F	40°F to 100°F	The relays can be used with model LT186F01 electronic room sensor, providing proportional and integral control. Also can be tied to building management systems.
<b>Differential</b>	+/- 3°F	+/- 3.5°F	+/- 3°F		
<b>Features</b>	Rugged design for garages, factories, warehouses and similar commercial and industrial installations. The WR80 can control several heaters by using an external contractor.	This explosion proof room thermostat is suitable for Class I, Group D and Class II, Groups E, F, and G locations.	Nema 4X weatherproof enclosure. The control has a SPDT output and can be used for heating or cooling (ventilation) Multi-positional mounting offers flexibility in new or existing installations.		



	LTR2240	TC1	M600THW	M600THB
<b>Action</b>	Dual Silent Relay	Enclosure protection for thermostats.	White thermostat cover with built-in thermometer. For M600 Series.	Beige thermostat cover with built-in thermometer. For M600 Series stats.
<b>Type</b>	(2) single pole switches	Material: Impact resistant polycarbonate. Clear. Dimensions are: 7" L x 4.28" H x 2.75" D		
<b>Watt Rating</b>	Resistive Inductive			
<b>120v</b>	N/A			
<b>208v</b>	25A 1HP, 8.8A			
<b>240v</b>	25A 1HP, 8A			
<b>277v</b>	N/A			
<b>Pilot Duty</b>	Yes 125VA	Thermostat enclosure kits are designed to protect the thermostat. Circulating slots allow airflow for proper operation. Guards are lockable and a key is provided to maintain security.	Minimum 50pcs. Allow 4 weeks.	
<b>Temp. Range (°F)</b>	20°F to 140°F			
<b>Differential</b>	+/- 1.5°F			
<b>Features</b>	This dual level temperature relay may be used to operate two separate heating loads by means of a single low voltage thermostat. Relay is mounted in an enclosure.			



# LIMITED WARRANTY

Indeeco new products are warranted against defects in workmanship, material, design, labeling and packaging. No other warranty, expressed or implied, written or oral, applies. No person other than an officer or the general manager of Indeeco is authorized to give any other warranty or assume any liability.

## Warranty Period

18 months from the date of shipment from Indeeco's factory, or 12 months from the date the product is first placed into service, whichever period lapses first.

## Conditions of Warranty

Indeeco products must be installed, operated, and maintained in accordance with Indeeco's instructions. Indeeco is not liable for damage or unsatisfactory performance of the product resulting from accident, negligence, alteration, unauthorized repair, improper application or installation of the product, improper specifications, or corrosion. Indeeco IS NOT LIABLE FOR ANY INCIDENTAL OR CONSEQUENTIAL DAMAGES. Claims against carriers for damage in transit must be filed by the purchaser with the carrier.

## Remedy

Contact Indeeco at (314) 644-4300 or [techsupport@Indeeco.com](mailto:techsupport@Indeeco.com), for a Return Material Authorization Number (RMA#) and return instructions.

If after receipt of the product and the claim, Indeeco finds to its reasonable satisfaction that the product is defective in workmanship, material, design, labeling or packaging, the product will be repaired or replaced, or the purchase price refunded at Indeeco's option. There will be no charge to the purchaser for parts or labor. Removal and reinstallation of the product, and shipment of the product to Indeeco for repair or inspection, shall be at the purchaser's risk and expense.


THE REPAIR, REPLACEMENT, OR REFUND PROVIDED FOR IN THIS LIMITED WARRANTY IS THE EXCLUSIVE REMEDY OF THE PURCHASER. THIS WARRANTY IS EXPRESSLY IN LIEU OF ANY OTHER, INCLUDING ANY WARRANTY OF MERCHANTABILITY OR FITNESS FOR A PARTICULAR PURPOSE. THERE ARE NO

# WARRANTY PERIOD

Indeeco Product Line	Warranty Period
BBI (903)	1 year* and 10 years on heating element
BISI/BII (905/907)	1 year* and 5 years on heating element
BCI (906)	1 year* and 5 years on heating element
BASI (908)	1 year* and 5 years on heating element
BAI/BAPI (909/911)	1 year* and 5 years on heating element
LBAI/LBAPI (912/913)	1 year* and 5 years on heating element
BMI (914)	1 year* and 5 years on heating element
BHI (916)	1 year* and 5 years on heating element
RCI (918)	1 year* and 5 years on heating element
CUI (922)	1 year* and 5 years on heating element
ULIR (925)	1 year* and 5 years on heating element
WRI (930)	1 year* and 5 years on heating element
CCI (931)	1 year* and 5 years on heating element
WCI (932)	1 year* and 5 years on heating element
WAI (933)	1 year* and 5 years on heating element
WLI (934)	1 year* and 1 year on heating element
CDI (937)	1 year* and 5 years on heating element
TSI (938)	1 year* and 5 years on heating element
FFI (939)	1 year* and 5 years on heating element
CLI (941)	1 year* and 5 years on heating element
TRH (943)	1 year* and 5 years on heating element
WCZ (950)	1 year* and 1 year on heating element
All Other Product Lines	18 months from the date of shipment from Indeeco's factory, or 12 months from the date the product is first placed into service, whichever period lapses first.

We have the experience and expertise to provide you with the personalized support to arrive at customized solutions.

Email [sales@Indeeco.com](mailto:sales@Indeeco.com)  
or call 800.243.8162  
to find your nearest  
Indeeco representative.



When you need more than an off-the-shelf, standardized product.  
Ask **More.**