

# 950I SERIES

## ARCHITECT'S AND ENGINEER'S SPECIFICATIONS\*

The heating equipment shall include an electric automatic fan forced air heater suitable for small area heating, as manufactured by Indeco®. The heater shall be designed for wall mounting, recess or surface. Heaters shall be cETLus listed.

**BACK BOX:** The back box shall be designed as a recessed rough-in box in either masonry or frame installations and is also used when surface mounting frames are used in surface mounting installations. The back box shall be heavy gauge galvanized steel and shall contain knockouts through which power leads enter.

**INNER FRAME ASSEMBLY:** The heater assembly, which fits into the back box, shall consist of a heavy gauge steel fan panel to which all of the operational parts of the heater are mounted. The inner frame assembly shall be completely prewired.

**HEATING ELEMENT:** The heating element shall be of the non-glowing design consisting of an 80/20 nickel-chromium resistance wire. The element shall cover the entire air discharge area to ensure uniform heating of all discharged air. It shall be warranted for 5 years.

**MOTOR AND CONTROLS:** The fan motor shall be impedance protected and permanently lubricated. Fan control shall be of the

bi-metallic, snap-action type and shall activate fan after heating element reaches operating temperature, and continue to operate the fan after the thermostat is satisfied and until all heated air has been discharged. The thermostat shall be double-pole type on all models. Thermal cutout shall be bi-metallic, snap-action type designed to shut off heat in the event of overheating.

**SURFACE MOUNTING FRAME:** The surface mounting frame shall be of heavy gauge steel designed to mount around the back box for a finished surface installation. Slot knockouts shall be provided for power supply conduit.

**FRONT COVER:** The louvered front cover shall be of heavy gauge steel with a powder paint finish. A plug button will be provided to replace the thermostat knob and render the unit tamper-resistant.

**FINISH:** All sheet metal parts, except the galvanized steel back box, shall be phosphatized, then completely painted by a powder paint process.

*\*Indeco reserves the right to change specifications without prior notice.*

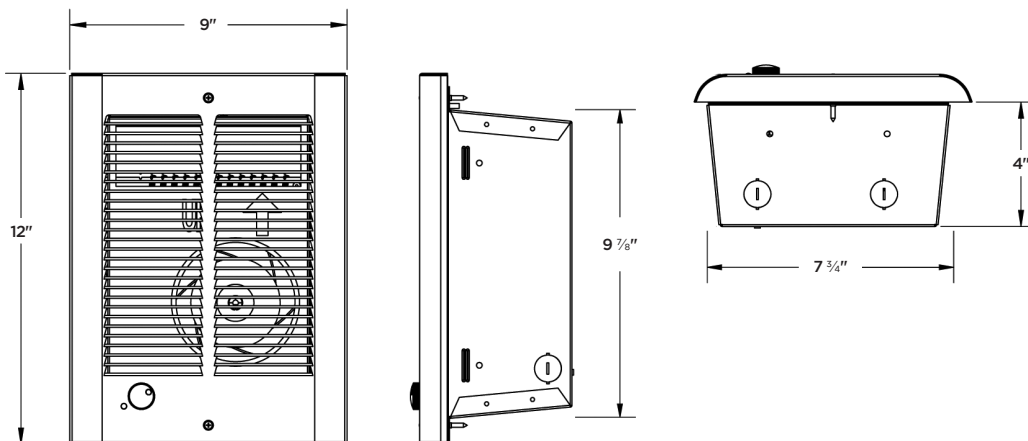
### Models & Specifications:

ITEM INFORMATION	ELECTRICAL DATA						SHIP WT.
	CATALOG NO.	VOLTS (1)	VOLTS (2)	WATTS (1)	WATTS (2)	AMPS (1)	
950IW-1512T-W	120	-	1500/750	-	12.5/6.3	-	11 lbs
950IW-1012T-W	120	-	1000/500	-	8.4/4.2	-	8.1 lbs
950IW-1048T-W	208	240	750/375	1000/500	7.2/3.6	8.4/4.2	11 lbs
950IW-1548T-W	208	240	1125/570	1500/750	5.4/2.7	6.3/3.2	5.6 lbs
950IW-2048T-W	208	240	1500/750	2000/1000	3.6/1.8	4.2/2.1	11 lbs

### Optional Accessories:

CATALOG NO.	DESCRIPTION	SHIP WT.
WIT-CZTDP-X	Double-Pole Built-in Thermostat Kit (Range: 45-135°F)	1 lbs
WIF-CZSM-W	Surface Mounting Frame	2 lbs

### Dimensions and Clearances:



No matter the industry or application, Indeco has a robust portfolio of innovative, reliable, high-performance comfort heating and ventilation solutions for all your heating needs.