



425 Hanley Industrial Court, St. Louis, MO 63144  
 Phone: (314) 644-4300, Fax: (314) 644-5332  
 www.indeeco.com

## INSTRUCTIONS “TSI” Series



### WARNING



When using electrical appliances, basic precautions should always be taken to reduce the risk of fire, electrical shock and injury, including the following.

Read carefully these instructions before installation, operation of the heater. Failure to adhere to the instructions could result in fire, electric shock, serious personal injury, and death or property damage. Review frequently for continuing safe operation and instruction of future users, if necessary.

## IMPORTANT INSTRUCTIONS

- 1- Read all instructions before installing or using this heater.
- 2- This heater is hot when in use. To avoid burns, do not let bare skin touch hot surfaces. Keep combustible materials, like furniture, pillows, bedding, papers, clothes, and curtains at least 24 in. (610 mm) from the front of the heater and away from the sides.
- 3- Maximum recessed installation allowed is 4 in. (102 mm) depth.
- 4- Extreme caution is necessary when any heater is used by or near children or invalids and whenever the heater is left operating and unattended.
- 5- Do not operate any heater after it malfunctions. Disconnect power at service panel and have heater inspected by a reputable electrician before reusing.
- 6- Do not use outdoors.
- 7- To disconnect heater, turn controls to off, and turn off power to heater circuit at main disconnect panel.
- 8- Do not insert or allow foreign objects to enter any ventilation or exhaust opening as this may cause an electric shock or fire, or damage the heater.
- 9- To prevent a possible fire, do not block air intakes or exhaust in any way whatsoever.
- 10- This heater has hot and arcing or sparking parts inside. Do not use it in areas where gasoline, paint, or flammable vapors or liquids are used or stored.
- 11- Use this heater only as described in this manual. Any other use not recommended by the manufacturer may cause fire, electric shock, or injury.
- 12- The thermostat should not be considered an infallible device in cases where maintaining a temperature is considered critical. Examples: Hazardous material storage, computer server room, etc. In these particular cases, it is imperative to add a monitoring system to avoid the consequences of a thermostat failure.

## SAVE THESE INSTRUCTIONS

INS169-200301-10

## INSTALLATION INSTRUCTIONS

### CAUTION:

The heater complies with CSA and UL standards, by cons, the heat generated by the equipment may still cause discoloration or deformation of certain materials. Make sure you do not install the heater near thermosensitive materials. (Example: thermoplastic, linoleum, etc.).

High temperature, risk of fire, keep electrical cords, drapery, furnishings, and other combustibles at least 36 in. (915 mm) from the front of the heater.

### STEPS TO LIMIT THE POWER OF THE UNIT AT 500W INSTEAD OF THE 1000W SET BY DEFAULT:

- 1- Turn off the power at the main service panel.
- 2- If the heater is installed, remove it from its mounting.
- 3- Unscrew the cover of the heater.
- 4- Remove the 2 jumpers labeled “JUMPER”.
- 5- Make sure the connectors that were connected jumpers are properly attached.
- 6- Replace the cover and screw.
- 7- Follow the mounting steps required according to the type of installation you want to perform.

### MOUNTED UNDER CABINET:

- 1- Avoid directing warm air towards working area.
- 2- Provide an opening of 10 1/2 in. (267 mm) deep (minimum). The heater fits in a space 4 in. (102 mm) high.
- 3- Bring in power supply to the left or rear of opening.
- 4- Remove connection box lid and appropriate knock-out.
- 5- Connect heater leads with supply leads according to local and national code. Refer to wiring diagram.
- 6- Replace lid and slide heater in opening. Secure heater in place with the provided screws.
- 7- Test heater by temporarily adjusting thermostat at maximum temperature.
- 8- To reach the manual cutout or to install built-in thermostat, remove the two screws that hold the grille.

### MOUNTED ON CABINET:

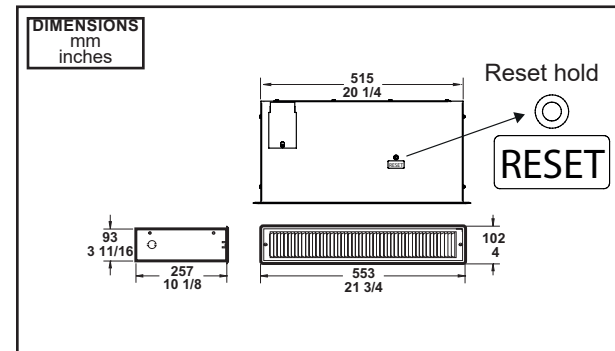
- 1- Provide an opening of 10 1/2 in. (267 mm) deep minimum and a minimum spacing of 4 in. (102 mm) from ceiling.
- 2- Add support under heater if required.
- 3- Follow steps 3 to 6 of mounted under cabinet.
- 4- Assemble trim to the grille.
- 5- Follow steps 7 and 8 of mounted under cabinet.

### IMPORTANT

Do not obstruct the front of the heater for at least 48 in. (1200 mm).

## OPERATING INSTRUCTIONS

- 1- The heater must be properly installed before it is used.
- 2- Turn the power on at the circuit breaker panel.
- 3- Electronic thermostat: be sure to set it on the fan mode.
- 4- Built-in thermostat with control knob (optional):  
 To set thermostat at the desired temperature, follow these steps:
  - Set thermostat at maximum temperature (turn clockwise).
  - When the desired temperature is reached, turn the thermostat counter-clockwise slowly until you hear a “click”.
  - The thermostat will keep this room temperature.
- 5- **MANUAL HI-LIMIT**  
 This heater includes a manual hi-limit, it can turn the heater out of service if an internal component is excessively hot. When this situation occurs, immediately turn the heater off and inspect for any objects on or adjacent to the heater that may have blocked the airflow or otherwise caused high temperatures to have occurred. If no obstruction is visible, the heater must be checked by a qualified person.  
**How to reset the manual hi-limit:**
  - Disconnect the power supply of the heater.
  - Unscrew and get out heater from his recess position.
  - Insert a pointed object in the reset hole.
  - Push firmly until you hear a click.
  - Recess heater again and fix with the screws.
  - Turn the power back on.



## MAINTENANCE INSTRUCTIONS

- Cleaning should be done while the heater is disconnected from the main service panel.
- Once a year or at the need, use a vacuum cleaner to remove the dust accumulation through openings of the front grille.
- Any other servicing should be performed by a qualified technician.

