



425 Hanley Industrial Court, St. Louis, MO 63144
Phone: (314) 644-4300, Fax: (314) 644-5332
www.indeeco.com

INSTALLATION INSTRUCTIONS “RCI” Series



WARNING



When using electrical appliances, basic precautions should always be taken to reduce the risk of fire, electrical shock and injury, including the following.

Read carefully these instructions before installation, operation of the heater. Failure to adhere to the instructions could result in fire, electric shock, serious personal injury, and death or property damage. Review frequently for continuing safe operation and instruction of future users, if necessary.

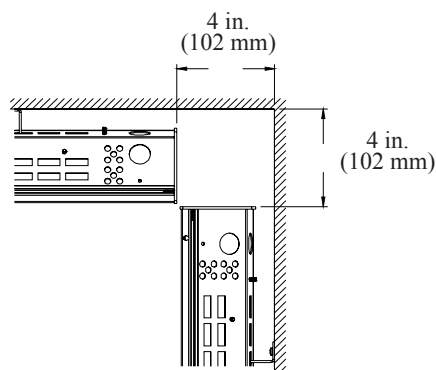
IMPORTANT INSTRUCTIONS

- 1- Read all instructions before installing or using this heater.
- 2- This heater is hot when in use. To avoid burns, do not let bare skin touch hot surfaces. Keep combustible materials, like furniture, pillows, bedding, papers, electrical cords, clothes, and curtains at least 36 in. (915 mm) from the front of the heater and away from the sides.
- 3- Extreme caution is necessary when any heater is used by or near children or invalids and whenever the heater is left operating and unattended.
- 4- Do not operate any heater after it malfunctions. Disconnect power at service panel and have heater inspected by a reputable electrician before reusing.
- 5- Do not use outdoors.
- 6- To disconnect heater, rotate thermostat knob full counter-clockwise and turn off power to heater circuit at main disconnect panel.
- 7- Do not insert or allow foreign objects to enter any ventilation or exhaust opening as this may cause an electric shock or fire, or damage the heater.
- 8- To prevent a possible fire, do not block air intakes or exhaust in any way whatsoever.
- 9- This heater has hot and arcing or sparking parts inside. Do not use it in areas where gasoline, paint, or flammable vapors or liquids are used or stored.
- 10- Use this heater only as described in this manual. Any other use not recommended by the manufacturer may cause fire, electric shock, or injury to persons.
- 11- The thermostat should not be considered an infallible device in cases where maintaining a temperature is considered critical. Examples: Hazardous material storage, computer server room, etc. In these particular cases, it is imperative to add a monitoring system to avoid the consequences of a thermostat failure.

- 12- Do not recess the heater.
- 13- Never paint the heater.
- 14- Never install the heater on a wall covered with vinyl.
- 15- Heater should not be blocked in any manner.
- 16- Install the heater in horizontal position only.
- 17- Use supplied wall brackets required.
- 18- Check voltage rating of heater to make sure it is same as supply voltage.
- 19- Do not install the heater in bathrooms of vapor or showers, directly over a shower cubicle, nor in places where it will be exposed to high humidity or vapours during a long period.
- 20- This heater is hot when in use. To avoid burns, do not install this heater in an accessible place. Allow 6 ft. (1.83 m) minimum clearance from the floor. See Fig. 4.
- 21- A badly installed heater can be permanently damaged and present a risk of fire or electric shock. Respect the required minimal clearances. See Fig. 1 and 4.

SAVE THESE INSTRUCTIONS

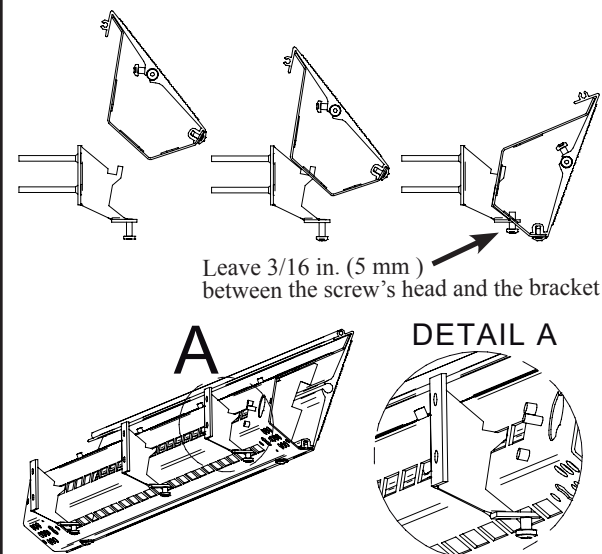
Figure 1



OPERATING INSTRUCTIONS

- 1- The heater must be properly installed before it is used.
- 2- Turn the power on at the circuit breaker panel.
- 3- Built-in thermostat with control knob (optional).
To set thermostat at the desired temperature, follow these steps:
 - Set thermostat at maximum temperature (turn clockwise).
 - When the desired temperature is reached, turn the thermostat counter-clockwise slowly until you hear a click.
 - The thermostat will keep this room temperature.

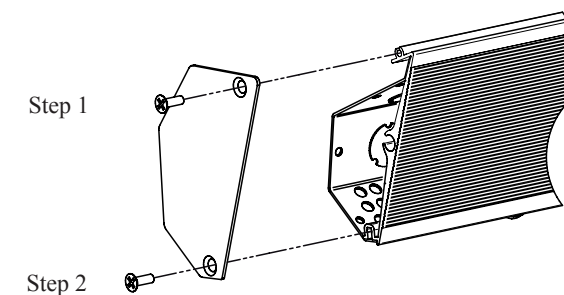
Figure 2



MAINTENANCE INSTRUCTIONS

- 1- Once a year, remove the dust accumulation inside the heater using a vacuum cleaner
- 2- Cleaning should be done while the heater is disconnected from the main service panel. Wait until the housing and heating element cool before performing maintenance.
- 3- Any other servicing should be performed by a qualified technician.

Figure 3



INSTALLATION INSTRUCTIONS

CAUTION

- High temperature, risk of fire, keep electrical cords, drapery, furnishings, and other combustibles at least 36 in. (915 mm) from the front of the heater. To reduce the risk of fire, do not store or use gasoline or other flammable vapors and liquids in the vicinity of the heater.
- Allow 6 ft. (1.83 m) minimum clearance from the floor. See Fig. 4.
- Allow 1 in. (25 mm) minimum clearance below heater and any fabric. See Fig. 4.
- Allow 4 in. (102 mm) minimum clearance from dry wall ceiling. See Fig. 4.
- Allow 4 1/2 in. (114 mm) minimum from false ceiling, vinyl ceiling and plastic molding. See Fig. 4.
- Allow 1/2 in. (13 mm) minimum clearance between heaters.
- Allow 36 in. (915 mm) minimum clearance between the heater and a device sensitive to heat of 40°C (104°F) and higher.
- Do not use plastic connector for direct connection to the heater. Use power supply wire suitable for at least 90 °C (194 °F).
- All wiring must be done in accordance with the national and local electrical codes and the heater must be grounded.
- Disconnect all power supplies before working on any circuit.
- Put all covers back on heater before testing.

END TO END INSTALLATION

1. Mount heaters allowing adequate spacing of 1/2 in. (13 mm) minimum between heaters.
2. Install the splice plate as per instructions provided with the kit. (Optional).

INSTALLATION AT CORNER

Heater must be located so that the ends of each heater are 4 in. (102 mm) from side wall. See Fig. 1.

WALL INSTALLATION

1. Use 2 wall brackets for the 450W to 900W.
Use 3 wall brackets for the 1050W and more.
Fix wall brackets so that, once the heater is installed on the brackets, the length of the heater is supported at equal intervals.
2. Fix the brackets with the provided wood screws.
Use template provided to mark screw location depending upon type of ceiling. It is strongly recommended to fix supports of the unit on the internal structures of the wall.
3. Install the wire connector (not supplied) in one of the knockouts onto the back shield.
4. Attach the back shield to the brackets by tilting it back and allowing the bracket hook to enter the back shield slot then simply bring back the shield forward locking it into place. See Fig. 2.
5. Insert the wiring in the junction box. Leave approximately 6 in. (152 mm) of wiring in the case to facilitate the wiring. **IMPORTANT:** Use power supply wire suitable for at least 90 °C (194 °F).
6. Add the screw to secure the whole. See Fig. 2.
7. Complete the wiring. See Fig. 5.
8. Install end caps. See Fig. 3.

Figure 4 - MOUNTING RESTRICTIONS

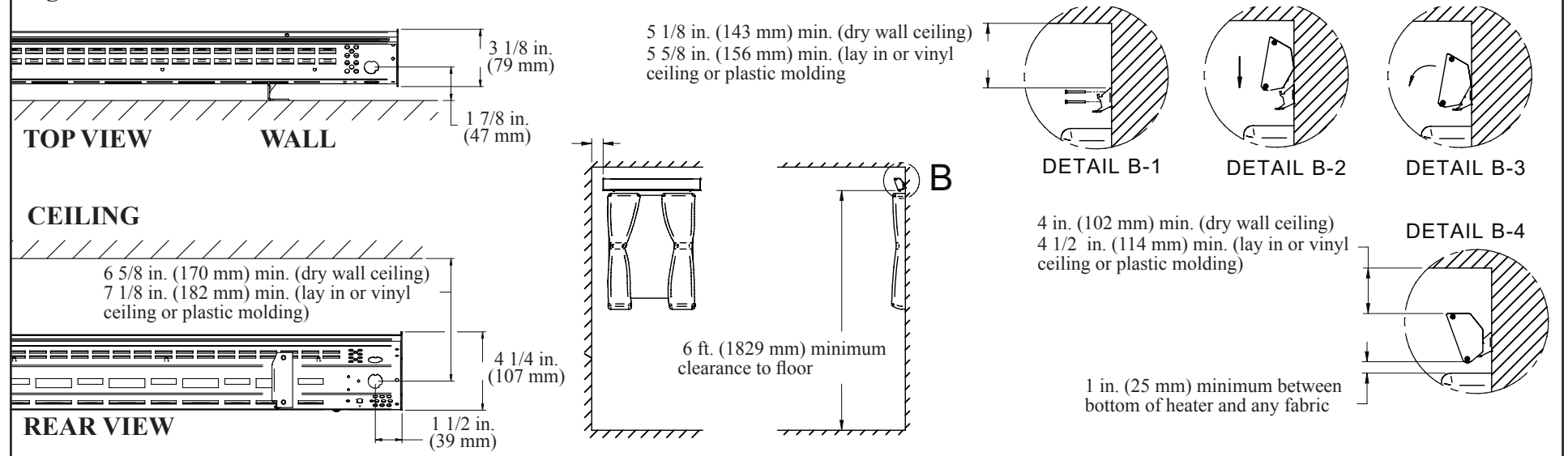
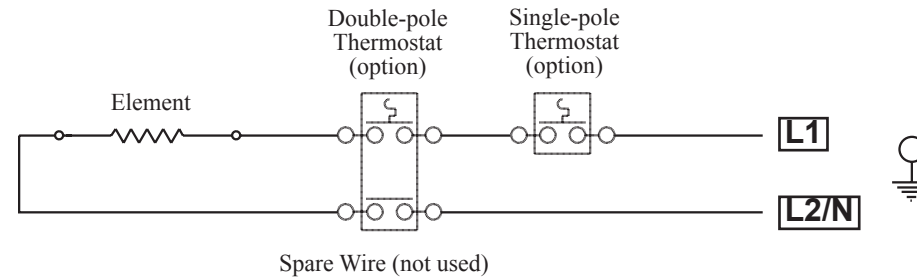
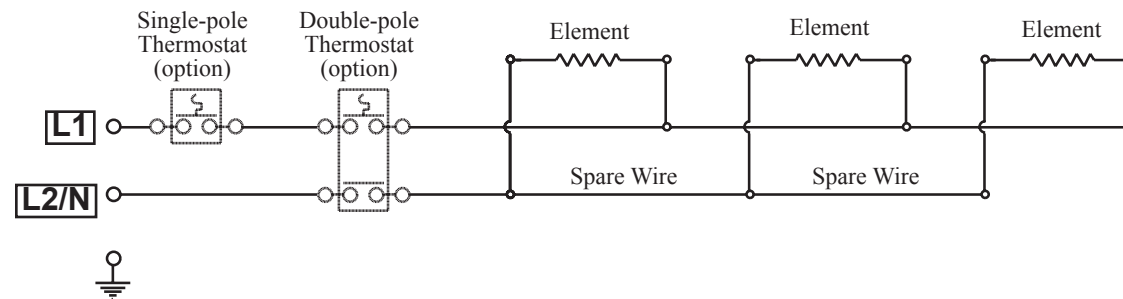


Figure 5

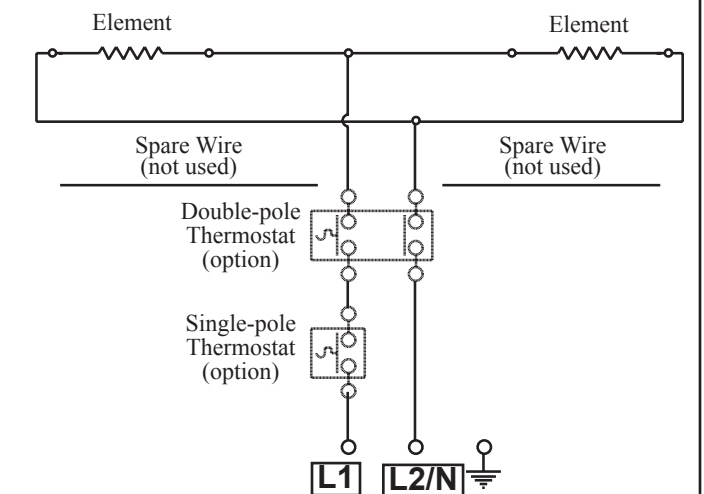
OPTIONS WIRING DIAGRAM



TWO OR MORE UNITS - SUPPLY AT END



TWO UNITS WIRING - SUPPLY IN MIDDLE



IMPORTANT : Total amperage should not be over 16 amperes