

INSTALLATION INSTRUCTIONS

Options Kit of thermostats

for RCI 918 Series

THE INSTALLATION MUST BE EXECUTED BY
A QUALIFIED TECHNICIAN



Installation instructions and safety measures

WARNING

Read Carefully: These instructions contain vital information for the proper installation, use and efficient operation of the heater. Read carefully these instructions before installing and use of the unit. Failure to adhere to the instructions could result in fire, electric shock, serious personal injury, death or property damage. Save these instructions and review frequently for continuing safe operation and instruction for future users.

ATTENTION

1. Read carefully these instructions before installation.
2. To avoid electric shock, disconnect all power coming from the main service panel to the heater before installing or do the maintenance.
3. Do not use plastic connector for the direct connection to the heater. Use a power supply wire suitable for at least 90 °C (194 °F).
4. All wiring must be done in accordance with the national and local electrical codes and the heater must be grounded.
5. A wrong installation of the heater could damage it and presents a risk of fire or electric shock.
6. Check the voltage rating of the heater to make sure it is the same as the supply voltage. (See name plate behind the heater).
7. Do not insert or allow foreign objects inside the unit because it could cause short circuits, fire or damage the unit.
8. Do not obstruct the air inlet and/or outlet of the unit.
9. Heater contains arcing and sparking parts. Do not use in areas where gasoline, paint, or flammable liquids are used or stored.
10. Use this heater as described in these instructions. Any other use is not recommended by the manufacturer because it may cause fire, electric shock or corporal injuries.
11. The thermostat should not be considered an infallible device in cases where maintaining a temperature is considered critical. Examples: Hazardous material storage, computer server room, etc. In these particular cases, it is imperative to add a monitoring system to avoid the consequences of a thermostat failure.

INSTALLATION OF BUILT-IN THERMOSTATS

Single-pole thermostat:

1. To avoid electric shocks, disconnect all power coming from the main service panel to the heater before installing or do the maintenance.
2. Do the mechanical mounting as illustrated on **Fig. 1**. (You can install the thermostat without taking off the front of the heater.)
3. Do the connection as per **Fig. 4**.
IMPORTANT: Use a power supply wire suitable for at least 90 °C (194 °F).
4. Fix the end cap starting by the top screw as per **Fig. 3**.

Double-pole thermostat:

1. To avoid electric shocks, disconnect all power coming from the main service panel to the heater before installing or do the maintenance.
2. Remove the front cover of the thermostat box.
3. Do the mechanical mounting as illustrated on **Fig. 2**. (You can install the thermostat without taking off the front of the heater.)
4. Do the connection as per **Fig. 4**.
IMPORTANT: Use a power supply wire suitable for at least 90°C (194°F).
5. Fix the edge starting by the top screw as per **Fig. 3**.

**KEEP THIS INSTRUCTION PAMPHLET
FOR THE USER
INS110-200701-03**

Fig. 1

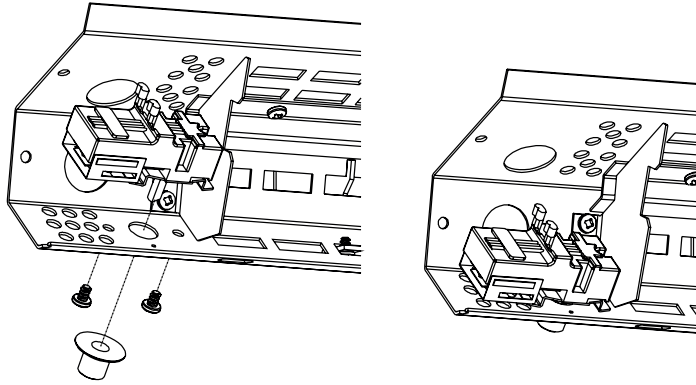


Fig. 2

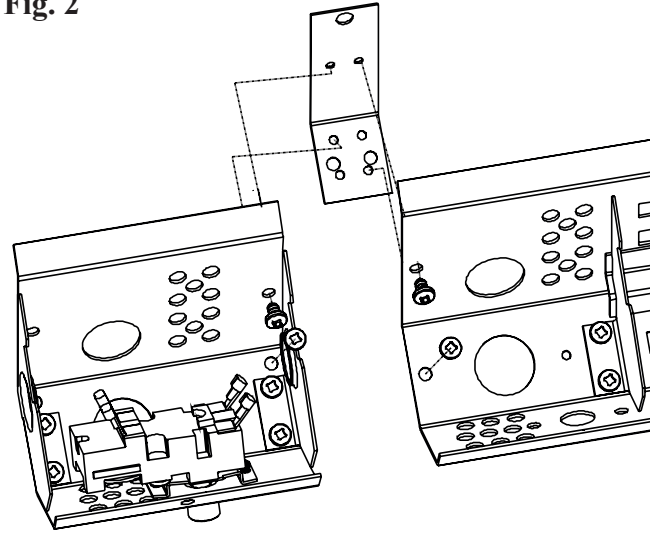


Fig. 3

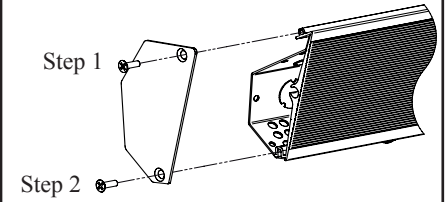
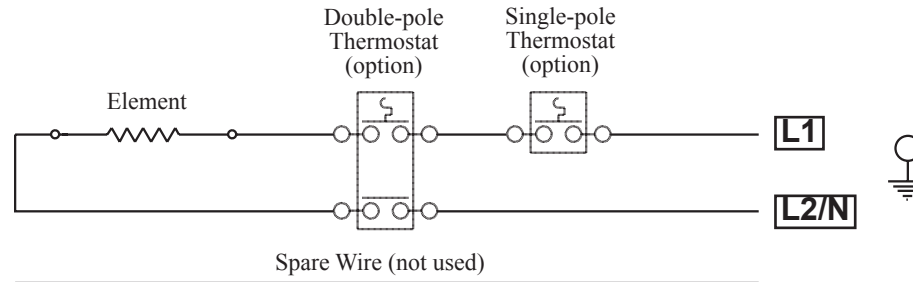
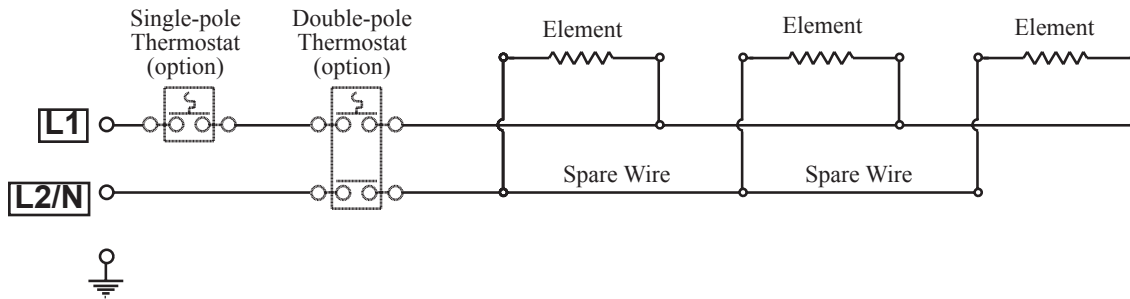


Fig. 4

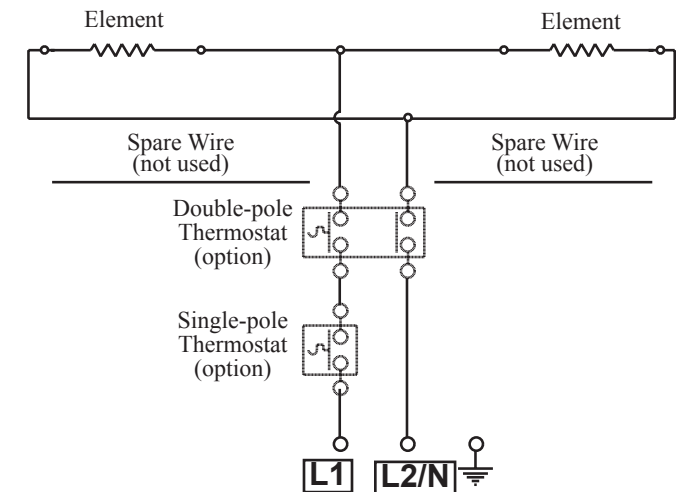
OPTIONS WIRING DIAGRAM



TWO OR MORE UNITS - SUPPLY AT END



TWO UNITS WIRING - SUPPLY IN MIDDLE



IMPORTANT : Total amperage should not be over 24 amperes